



INDEPENDENT COMPONENTS CORP.

528 Hempstead Turnpike, West Hempstead, NY 11552 • Phone 516-481-5100 FAX 516-481-5550
www.iccparts.com sales@iccparts.com • Toll Free: Phone 877-ICC-ICC3 FAX 800-814-8883

January 1, 2025

Dear Customer

We have updated our catalog. The Body of the catalog lists ICC part#s along with OEM cross references, The Catalog is a PDF, so it is easy to search with your computer. Email or Call us for additional Pricing as needed.

Since the pandemic most of our suppliers have increased costs. We have seen some costs increase by as much as 50%. At Independent Components we strive to keep our selling prices as competitive as possible without sacrificing the quality of the parts we sell. Please reach out to sales@iccparts.net or call customer service at 516-481-5100 for pricing and availability.

We would like to remind you that we have the capability to manufacture non-metal gaskets without hard tooling. This means that if you can draw it, or send us a sample, we can manufacture large or small quantities of gaskets at our usual economical prices, usually in a day or less. Many customers currently use this service, so they don't need to hand cut gaskets for special applications, or from non-standard materials. We have already set up many of the gaskets used on rotary screw compressors. Give us a list of gaskets you need; we probably already know most or all of them.

We now carry bare pumps for the most popular Ingersoll Rand and Industrial Air pumps

(Letter continued next page)

NEW Catalog Sections Included in this PDF:

**Saylor Beall
Industrial Air
Campbell Hausfeld
Champion
Lubricants
Accessories
FS Curtis
Solberg**



INDEPENDENT COMPONENTS CORP.

528 Hempstead Turnpike, West Hempstead, NY 11552 • Phone 516-481-5100 FAX 516-481-5550
www.iccparts.com sales@iccparts.com • Toll Free: Phone 877-ICC-ICC3 FAX 800-814-8883

Our lubricants and other chemicals are labeled with GHS (OSHA compliant) labels. All labels are **Customized with Your Company Information**, in color, at no additional cost to you. (See sample on page 9 of the LUBE section.) If you have any questions about this service, please call or email us.

Please note that **ALL ICC cross-references** are made to lubricants that are as close to the OEM products as possible, with all significant specifications are *the same* as the OEM's. Some of our **competitors'** cross reference their lubricants to *different*, less expensive alternative oils that may work in most compressors, but do NOT have the same specifications, and **my not be the same type of lubricant** as the OEM oil. If you need these different, less expensive alternatives, please contact us for part numbers and pricing.

We are now able to email UPS shipping notifications; this provides you with the tracking number and confirmation the day that your order has shipped. We can also email or fax your invoices providing you with confirmation of what was shipped and freight charges, these are sent the next business morning. If you want to take advantage of either of these services, please give us the appropriate email addresses and/or fax phone number.

To download our catalog (PDF format), please press the link in the email you have received or go to our website. We only allow our customers to download the priced catalog from the website, so you will need to register before downloading. Please check our website regularly for news about new products or services.

To find a section in the catalog when using Adobe Reader, click on the Bookmarks Tab on the left (or under the View Menu go to Navigation Panels: Bookmarks).

To search for an ICC or OEM part number, press "Ctrl-F" on your keyboard, type all or part of the Part Number and hit enter.

We will start e-mailing monthly Sales Flyers and Bulletins shortly – If this is not your copy of the catalog, please go to the E-Mail Signup page at www.iccparts.com so that you will get all of our future mailings.

**Best Regards,
Independent Components**



INDEPENDENT COMPONENTS CORP.

528 Hempstead Turnpike, West Hempstead, NY 11552 • Phone 516-481-5100 FAX 516-481-5550
www.iccparts.com sales@iccparts.com • Toll Free: Phone 877-ICC-ICC3 FAX 800-814-8883

OUR WARRANTY

INDEPENDENT COMPONENTS CORP. WARRANTS ITS PRODUCTS TO BE OF BETTER OR EQUAL QUALITY AND TOLERANCE THAN THOSE OF THE ORIGINAL MANUFACTURER AND TO BE FREE OF DEFECTIVE WORKMANSHIP OR MATERIAL. THE WARRANTY IS LIMITED TO EITHER THE REPLACEMENT OF THE PART OR REFUND OF THE AMOUNT PAID FOR THE PART.

INDEPENDENT COMPONENTS CORP. PRODUCTS MUST BE SATISFACTORY OR YOUR MONEY BACK.

OUR POLICY

TERMS: *Customers with Approved Credit :*
1% – 15 Days, Net 30 (US Dollars), F.O.B., Shipping Point.
Or COD Company Check or Credit Card (Master Charge, Visa or Discover)
1.5% Per Month Service Charge on Invoices Not Paid within 30 Days of Invoice Date

Customers with our Credit Application on file with ICC
COD - Company Check or Credit Card (Master Charge, Visa or Discover)

Customers without our Credit Application on file with ICC
Credit Card ONLY (Master Charge, Visa or Discover)

All Customers:
We will pass on our Bank's Charge on ALL Checks Returned.

MINIMUMS: There is no minimum order. However, all orders under \$50 are subject to a \$5 handling fee.

We would prefer to ship your parts on open account. To qualify, please fill out, sign, and return, the Credit Application on the next page. After receiving your Credit Application, we usually will ship COD Company Check. Upon receipt of favorable credit verification from your references we will be happy to ship on open account.

Credit Card orders are billed when the order is shipped. When credit cards are used to pay Net 30 invoices, we have the right to add a surcharge.

When ordering, please give complete and accurate part numbers. If material must be returned please call for a Return Authorization Number (RMA). NO RETURNS WILL BE ACCEPTED WITHOUT A RETURN AUTHORIZATION NUMBER. Any returns received without a RMA will be subject to a 5% additional charge. All items returned for credit within 60 days of invoice (except defective parts) will be subject to 15% restocking charge and must be securely packed to avoid shipping damage. Items returned after 60 days from invoice date may be subject to higher restocking charges. No credit will be issued for parts damaged in return transit. All material claimed defective must be returned for inspection with a written description of the problem. Do not return to the Post Office Box. Please ship to our Hempstead Turnpike address above.

We have the right to charge a fee for Credit Card transactions. We will not charge without your prior knowledge.

Cancellation of orders for non stock items will be accepted only if the buyer agrees to pay Independent Components Corp.'s cost up to the date of cancellation. Cancellation of stock items, once shipped will be subject to a 15% restocking charge in addition to any prepaid freight. In the event delivery is refused for any reason except damage, the buyer will be liable for prepaid freight, and subject to a 15% restocking charge if the order is canceled.

All claims for material shortages or damages in shipment must be made within 5 working days after receipt of shipment. If you suspect a shortage, carefully check the packing and contents of all boxes and kits. When a shipment is received damaged, all shipping material must be saved at the receiving location for inspection by the freight carrier. Please accurately weigh the package. If all material is not saved, an insurance claim can not be made. We will not be responsible for the damage if this procedure is not followed. Note is often useful to take digital photographs of the damage immediately to document damage claims.

We make every effort to show the Original Equipment Manufacturer's list prices as accurately as possible at the time of printing. However, due to frequent changes, these prices should be used for reference only.

ALL I.C.C. PRICES ARE SUBJECT TO CHANGE WITHOUT NOTICE.

ALL ORDERS WILL BE BILLED AT THE CURRENT SELLING PRICE WHEN SHIPPED.

The information in this catalog is, to the best of our knowledge accurate, but all recommendations or suggestions in this catalog (including but not limited to part number, serial number and model numbers) are made without guarantee.

As our catalog grows with new items, we will be sending additional price sheets to you. If there are parts you use in quantity, send samples or prints. We will be happy to quote. We are always looking for new items. Please give us your suggestions.

Independent Components Corp. Is an independent supplier of compressor replacement parts and is not affiliated with manufacturers mentioned in this catalog. The original manufacturers product description and/or part number is given for reference only.



INDEPENDENT COMPONENTS CORP.

528 Hempstead Turnpike, West Hempstead, NY 11552 • Phone 516-481-5100 FAX 516-481-5550
www.iccparts.com sales@iccparts.com • Toll Free: Phone 877-ICC-ICC3 FAX 800-814-8883

ORDERING INSTRUCTIONS

Independent Components Corp. will accept orders by FAX, Phone, Mail or E-mail.

E-MAIL – sales@iccparts.net is the e-mail address to use for all Orders and Sales Quotes. We will e-mail back our answer to your Request For Quotes and e-mail a confirmation of Sales Orders if requested.

FAX – **TOLL FREE at 1-800-814-8883 or 1-516-481-5550** – Please order via FAX machine when practical. Our FAX machines are in operation 24 hours a day, 365 days a year. This will help reduce errors made by mis-reading or mis-understanding part numbers and eliminate confusion between customers with similar names or multiple delivery addresses. Ordering via FAX will also reduce the time it takes to place an order. If requested, we will confirm receipt of FAXed orders via return FAX.
Lengthy Requests for Quotations are also better handled via email or FAX.

PHONE – **TOLL FREE at 1-877-ICC-ICC3 (1-877-422-4223) or 1-516-481-5100** – We will gladly accept orders via telephone. Our business hours are from 8:30 AM to 5:30 PM Eastern Time Monday through Friday. This is the best method to use if you need quick information or have questions. After business hours, and on weekends and holidays our phones are answered by an answering machine. Please leave your name, company name, company code (if known) and telephone number with your message so that we can correctly identify (or return) your call.
NOTE: because we ship orders immediately, most confirmations are received after the order has been shipped.

MAIL – **528 Hempstead Turnpike, West Hempstead, NY 11552-1187** – We will gladly accept orders via mail. Please clearly state whether this is a New Order, or a Confirmation so that we do not double ship.

PART NUMBERS

If possible we would appreciate your ordering by I.C.C. Part Number. These numbers have been designed to reduce errors and confusion. However, if you do not know the I.C.C. Part Number we would be happy to try to cross-reference it from an OEM Part Number. We also have parts lists for many compressors and may be able to look up the I.C.C. Part Number when given Manufacturer, Model and Part Description.



Why I.C.C. Parts?

Here are four reasons why you should buy I.C.C. Parts rather than OEM Parts –
Quality, Service, Price and Assistance.

- Quality** – We guarantee that our parts are all of equal or better quality than the original.
- Service** – We ship all orders received by mid afternoon the same day (for merchandise in stock). Our out of stock rate is so low, that we backorder less than 2% of catalog items ordered.
- Price** – You can save money buying I.C.C. Parts. Since we sell only parts, we concentrate all our efforts on giving our customers quality replacement parts at the best price.
- Assistance** – I.C.C. has been in the air compressor aftermarket for over 35 years. We have the experience and many computer tools to help you find the correct parts to fit your customer's equipment.



INDEPENDENT COMPONENTS CORP.

528 Hempstead Turnpike, West Hempstead, NY 11552 • Phone 516-481-5100 FAX 516-481-5550
www.iccparts.com sales@iccparts.com • Toll Free: Phone 877-ICC-ICC3 FAX 800-814-8883

CUSTOMER Data Sheet - CREDIT APPLICATION

Company Name _____		ICC Account # _____	
Street Address _____	City _____	State _____	Zip Code _____
Phone Number _____	FAX Number _____	Type of Business _____	

E-Mail Address _____		WEB Site Address _____	
Years in Business _____	Credit Desired _____	<input type="checkbox"/> Open Acct. <input type="checkbox"/> COD. <input type="checkbox"/> Credit Card	Ownership: (check one) <input type="checkbox"/> Proprietorship <input type="checkbox"/> Partnership <input type="checkbox"/> Corporation

Names of Principal Owners / Officers

_____	Title _____
_____	Title _____
_____	Title _____

We Qualify for Sales Tax Exemption Yes No If yes, please send copy of exemption certificate

Principal Trade References: (Please Provide 3)

Name	_____	_____	_____
Street	_____	_____	_____
City	_____	_____	_____
State / Zip	_____	_____	_____
Phone #	_____	_____	_____
FAX #	_____	_____	_____
Contact	_____	_____	_____

Bank Reference

Name / Address	_____	_____
Phone # / Acct #	_____	_____
Contact Person	_____	

Everything that is stated in this application is true and correct to the best of my knowledge. You are authorized to inquire of principal trade references, banks and other credit references as is deemed necessary for evaluating this credit application

In consideration of the extension of credit by Independent Components Corp. it is understood that a finance charge (late fee) of 1-1/2% per month (18% annually) will be assessed on all open balances after thirty days. In the event of a default by the Corporation or by the Individual and the matter is turned over to a lawyer or collection company for collection, the corporation or individual agrees to be liable for and pay an additional thirty percent (30%) of the unpaid balance as liquidated damages. Independent Components Corp. reserves the right to decline delivery except for cash, whenever doubt as to buyer's financial condition develops.

_____	_____	_____
Date	Signature	Title



INDEPENDENT COMPONENTS CORP.

528 Hempstead Turnpike, West Hempstead, NY 11552 • Phone 516-481-5100 FAX 516-481-5550
www.iccparts.com sales@iccparts.com • Toll Free: Phone 877-ICC-ICC3 FAX 800-814-8883

INGERSOLL – RAND TYPE – 30

I.R. PART NUMBERS	I.C.C. PART NO.	I.R. PART NUMBERS	I.C.C. PART NO.
----------------------	--------------------	----------------------	--------------------

VALVE PLATE ASSEMBLIES

Finger Valves with Gaskets VPA-T10-IR through VPA-T22-IR are supplied with Green Compressed Non-Asbestos gaskets. VPA-T30-IR through VPA-T50-IR are supplied with Flexible Graphite gaskets.		For Models 2340, 2420, 2475 and 2545 (without gaskets) (for 2340 HP use VPA 2475H IR)	
W75299T10 (W75299T10X) 32058760	VPA-T10-IR	32310807 (32247496)	VPA-2340L-IR
W75299T20 (W75299T20X) 30819130	VPA-T20-IR	32310799 (32247488)	VPA-2475H-IR
W75299T22 (32145872)	VPA-T22-IR32310799	VPA-2475L-IR
W75299T30 (32024291)	VPA-T30-IR	32248205.....	
W75299T31	VPA-T31-IR	32293904.....	VPA-2545H-IR
W75299T33 (W75299T33X) 32024291	VPA-T33-IR	32293912.....	VPA-2545L-IR
W75299T40 (W75299T40X) 32024283	VPA-T40-IR	97338107.....	VPA-SS3-IR
W75299T50 (W75299T50X) 32027740	VPA-T50-IR		

VALVE FINGERS, Dampers, Retainers & Shims

W75318	30215842	FIN-1-IR	32294324.....	FIN-4324-IR
W6874 (W6874P1).....	30221170	FIN-2-IR	32294330.....	RET-4340-IR
W11301 (W11301P1).....	30220115	FIN-3-IR	32294332.....	FIN-4332-IR
32139891		SHIM-9891-IR	32294357.....	DAMP-4357-IR
32228306		SHIM-8306-IR	32294365.....	DAMP-4365-IR
32241002		FIN-1002-IR	32294464.....	DAMP-4464-IR
32241010		FIN-1010-IR	32294472.....	DAMP-4472-IR
32241036		FIN-1036-IR	32295461.....	RET-5461-IR
32248148		RET-8148-IR	32295479.....	DAMP-5479-IR
32248163		RET-8163-IR	32295826.....	DAMP-5826-IR
32294282		FIN-4282-IR	32296671.....	FIN-6671-IR
32294290		FIN-4290-IR	32297343.....	RET-7343-IR
32294308		RET-4308-IR	32298130.....	FIN-8130-IR
32294316		RET-4316-IR	32298155.....	FIN-8155-IR

VALVE SPACER PLATES

W75299T10S (W11299).....	37127214	PLT-10S-IR	W75299T31S (W11627).....	37127255	PLT-31S-IR
W75299T20S (W75317).....	37127230	PLT-20S-IR	W75299T33S (W6866).....	37127248	PLT-33S-IR
W75299T22S	32144560	PLT-22S-IR	W75299T40S (W6922).....	37127289	PLT-40S-IR
W75299T30S (W6866).....	37127248	PLT-30S-IR	W75299T50S (W11315).....	37127297	PLT-50S-IR

VALVE SEAT PLATES Model 2340 & 2475 and 2545

.....	PLT-2475H-IR	32294266.....	32294266	PLT-2545H-IR
.....	PLT-2475L-IR	32294274.....	32294274	PLT-2545L-IR

VALVE ASSEMBLIES

Traditional Concentric Ring Valves		W75300T52X (W75300T52).....	32007569	VAL-T52-IR	
W75300T10X (W75300T10)	31517725	VAL-T10-IR	W75300T60X (W75300T60).....	37101946	VAL-T60-IR
32313249		VAL-T10A-IR	W75300T120X (W75300T120).....	37004793	VAL-T120-IR
32313223		VAL-T10H-IR	W75300T121X (W75300T121).....	30291884	VAL-T121-IR
W75300T12X (W75300T12)	31517741	VAL-T12-IR	W75300T122 (W75300T122X).....	37151958	VAL-T122-IR
W75300T14X (W75300T14X)	32007619	VAL-T14-IR	W75300T130X (W75300T130).....	37004819	VAL-T130-IR
W75300T20X (W75300T20)	37101938	VAL-T20-IR	W75300T131 (W75300T131X).....	37151966	VAL-T131-IR
W75300T30X (W75300T30)	37004827	VAL-T30-IR	VALVE ASSEMBLIES Model 30T		
W75300T31X (W75300T31)	37128949	VAL-T31-IR	32153579.....	32153579	VAL-30TL-IR
W75300T40X (W75300T40)	37004835	VAL-T40-IR	32153587.....	32153587	VAL-30TH-IR
W75300T50X (W75300T50)	37004843	VAL-T50-IR			
32313231	32313231	VAL-T50A-IR			

See IR-Index for Pricing by Page Number and a Complete List by IR OEM Number

Please call for price and delivery of part numbers not listed

Remember! You risk nothing to check the quality of our products



INDEPENDENT COMPONENTS CORP.

528 Hempstead Turnpike, West Hempstead, NY 11552 • Phone 516-481-5100 FAX 516-481-5550
www.iccparts.com sales@iccparts.com • Toll Free: Phone 877-ICC-ICC3 FAX 800-814-8883

INGERSOLL – RAND TYPE – 30

I.R. PART NUMBERS	I.C.C. PART NO.	I.R. PART NUMBERS	I.C.C. PART NO.		
VALVE RINGS and SPRINGS – Stainless Steel					
W21451 (W21451P1).....	30215941	DISC-1-IR	W2145230221576	SPG-1-IR	
W21447	30181499	DISC-2-IR	W2144830221501	SPG-2-IR	
W21445	30215891	DISC-3-IR	W2144630221550	SPG-3-IR	
W21940	30215925	DISC-4-IR	W2194130221584	SPG-4-IR	
W21938	30215834	DISC-5-IR	W2193930221493	SPG-5-IR	
W21647	30215867	DISC-6-IR	W2172630181614	SPG-6-IR	
W21646	30215883	DISC-7-IR	W2172530221568	SPG-7-IR	
W28715	30215917	DISC-8-IR	W2871430221394	SPG-8-IR	
W28717	30215859	DISC-9-IR	W2871630221527	SPG-9-IR	
W34477	30181481	DISC-10-IR	PP64630416713	SPG-11-IR	
W34479	30215818	DISC-11-IR	W3448630221535	SPG-12-IR	
W34487	30292866	DISC-12-IR	PP64730815989	SPG-13-IR	
W34489	30215826	DISC-13-IR			
VALVE SEATS		VALVE STOP PLATES			
W21936	30217657	VS-T10-IR	W2193730218945	VSP-T10-IR	
W21643	30217681	VS-T20-IR	W2164430219281	VSP-T20-IR	
W21449	30217608	VS-T30-IR	W2145030218994	VSP-T30-IR	
W28713	30217707	VS-T40-IR	W2871230218838	VSP-T40-IR	
W21443	30229538	VS-T50-IR	W2144430218978	VSP-T50-IR	
W21943	30217673	VS-T60-IR	W3448530181523	VSP-T120-IR	
W34488	30217640	VS-T120-IR	W3447530218960	VSP-T130-IR	
W34478	30217632	VS-T130-IR			
VALVE CAGE and Retaining Rings		RR-T120-IR			
W34490	30220990	VG-T120-IR	W3449130217038	RR-T130-IR	
W34482	31511801	VG-T130-IR	W3448330217020		
VALVE BOLTS, NUTS and Hardware for "T" Valves					
W21454	30220925	VB-1-IR	W114141T7537092897	WAS-T75-IR	
W21453	30279897	VB-2-IR	W2175030287643	ACN-1-IR	
W21942	30220941	VB-T10-IR	W2175130287650	ACN-2-IR	
W75510	37006806	VB-T12-IR	1/2 x 20	ACN-T20-IR	
W21645	30220917	VB-T20-IR	W3417030289631	BPIN-4170-IR	
W114141T50	37092905	WAS-T50-IR	W3417137002656	BPIN-4171-IR	
W114141T63	37092913	WAS-T63-IR			
VALVE SEAT PLATES, STOP PLATES and Bolts for Model 30T					
32142028.....	32142028	PLT-30TL-IR	32142085.....32142085	VSPD-30TH-IR	
32142077.....	32142077	PLT-30TH-IR	32153777.....32153777	VSPI-30TH-IR	
32142036.....	32142036	VSPD-30TL-IR	32153728.....32153728	VB-30TL-IR	
32153744.....	32153744	VSPI-30TL-IR	32153769.....32153769	VB-30TH-IR	
VALVE ASSEMBLIES 2540, 3000 and 7100					
32228330 (32172702).....	32228330	VAL-3000L-IR	32228314 (32172587).....	32228314	VSPD-3000L-IR
32228322 (32172710).....	32228322	VAL-3000H-IR	32228264 (32172652)		
32228389 (32184863).....	32228389	VAL-2540L-IR	(also 2540-LP) ..32228264		VSPD-3000H-IR
32229817 (32178857).....	32229817	VAL-2540H-IR	32176703.....	32176703	VSPD-2540H-IR
VALVE SEAT PLATES, STOP PLATES and HP DIFFUSERS Models 2540, 3000 & 7100					
32228249 (32172173).....	32228249	PLT-3000L-IR	32223919.....	32223919	DIF-3000H-IR
32228256 (32172181).....	32228256	PLT-3000H-IR	32224156.....	32224156	DIF-2540H-IR
32228355.....	32228355	PLT-2540L-IR			
32228363.....	32228363	PLT-2540H-IR			

Independent Components Corp. is an independent supplier of compressor replacement parts and is not affiliated with manufacturers mentioned in this catalog. The original manufacturer's product description and/or part number is given for reference only.



INDEPENDENT COMPONENTS CORP.

528 Hempstead Turnpike, West Hempstead, NY 11552 • Phone 516-481-5100 FAX 516-481-5550
www.iccparts.com sales@iccparts.com • Toll Free: Phone 877-ICC-ICC3 FAX 800-814-8883

INGERSOLL – RAND TYPE – 30

I.R. PART NUMBERS	I.C.C. PART NO.	I.R. PART NUMBERS	I.C.C. PART NO.
VALVE Disc and SPACER PLATES for Models 2540, 3000 & 7100		VALVE Hardware for Models 2540, 3000 & 7100	
32228272 32228272	VDPL-3000H-IR	32217382.....32217382	WAS-7382-IR
32228280 32228280	VSPL-3000H-IR	30326573.....30326573	SFW-3000-IR
32229783 32229783	VDPL-2540H-IR	32223927.....32223927	VB-3000-IR
32229791 32229791	VSPL-2540H-IR	32035511.....32035511	SCR-3000-IR
		32193724.....97166946	LN-3000-IR
CHANNEL VALVE ASSEMBLIES for: 20T, 20T2, 20S, 25T, and 20V		840CS1A-(Vacuum pump)30220065 CV-840CSA-IR	
432CS1 30220073	CV-432CS-IR	840CS1B (840CS1).....37041696	CV-840CSB-IR
640CS1 (640CS1X).....30220081	CV-640CS-IR	840CS1AX.....32061913	CV-840CSAX-IR
CHANNEL VALVE PARTS - Models: 20T, 20T2, 20S, 25T, 20V, and 223			
SEAT PLATES – Inlet, Discharge and Studs		GUIDE PLATES	
432CS28 30181507	SPI-432CS-IR	432CS29.....30213474	GDP-432CS-IR
640CS28 30217541	SPI-640CS-IR	640CS29.....30213490	GDP-640CS-IR
840CS28 30217533	SPI-840CS-IR	840CS29.....30213482	GDP-840CS-IR
		840CS29A30299036	GDP-840CSA-IR
432CS26 30217715	SPD-432CS-IR	CHANNEL & SPRING SETS	
640CS26 30297931	SPD-640CS-IR	432CS33.....30214308	VK-432CS-IR
840CS26 30217731	SPD-840CS-IR	640CS33.....30214290	VK-640CS-IR
432CS27 30221659	STD-432CS-IR	840CS33A30299994	VK-840CSA-IR
640CS27 32034480	STD-640CS-IR	840CS33B30278303	VK-840CSB-IR
GUIDE PINS		D30ACS33.....30214274	VK-D30A-IR
A28C17 (26A13F501)95656492	GP-20T-IR		
AIR HEADS for Finger Valve Compressors		Top and Bottom with Gaskets w/o Valves (For Start/Stop w/o Unloaders)	
W75302T20.....37127313	HEAD-T20-IR	W75301T10.....37130655	HEAD-15T2H-IR
W75302T30 (R4081).....37127354	HEAD-T30-IR	W75301T22.....37101284	HEAD-7TH-SS-IR
W75302T40 (R4116).....37127362	HEAD-T40-IR	W75301T32.....37101300	HEAD-15TH-SS-IR
W75302T50 (R7445).....37127370	HEAD-T50-IR	W75301T46.....37176203	HEAD-25T2H-SS-IR
32247827 HEAD-2475H-IR		W75301T52.....37101326	HEAD-15TL-SS-IR
32293557 HEAD-2475L-IR		W75301T62.....37100419	HEAD-25T2L-SS-IR
32294084 HEAD-2545H-IR		AIR HEAD BOTTOMS	
32294100 HEAD-2545L-IR		W9984937130291	HB-7TH-IR
for 2540, 3000, 7100 & 30T Compressors		W9984237154044	HB-15TL-IR
32172199 HEAD-3000H-IR		W9984337130358	HB-15TH-IR
32172207 HEAD-3000L-IR		W9984437129509	HB-25T2L-IR
32153686 HEAD-30TH-IR		W12350437130416	HB-25T2H-IR
32153645 HEAD-30TL-IR		AIR HEAD TOPS (For C/S Unloaders)	
R7780..... HEAD-64WGL-IR		H36230P1.....37130325	HT-7TH-IR
Top and Bottom with Gaskets w/o Valves (For C/S Unloaders)		H34896P1.....37130515	HT-15TL-IR
W75301T23.....37101292	HEAD-7TH-IR	H36216P1.....37130382	HT-15TH-IR
W75301T33.....37101318	HEAD-15TH-IR	F25229P137130572	HT-25T2L-IR
W75301T47.....37176211	HEAD-25T2H-IR	F28822P137130457	HT-25T2H-IR
W75301T53.....37045861	HEAD-15TL-IR	AIR HEAD TOPS (For Start/Stop w/o Unloaders)	
W75301T63.....37101334	HEAD-25T2L-IR	H3623037130263	HT-7TH-SS-IR
		H3489637130481	HT-15TL-SS-IR
		H3621637130341	HT-15TH-SS-IR
		F2522937130531	HT-25T2L-SS-IR
		F2882237130408	HT-25T2H-SS-IR

See IR-Index for Pricing by Page Number and a Complete List by IR OEM Number



INDEPENDENT COMPONENTS CORP.

528 Hempstead Turnpike, West Hempstead, NY 11552 • Phone 516-481-5100 FAX 516-481-5550
www.iccparts.com sales@iccparts.com • Toll Free: Phone 877-ICC-ICC3 FAX 800-814-8883

INGERSOLL – RAND TYPE – 30

INFORMATION ABOUT INDEPENDENT COMPONENTS TYPE-30 KITS

We have assembled many types of kits to simplify ordering repair parts:

MAJOR OVERHAUL KITS (MOK) (Page IR-5) To replace most wearing parts

- **MAJOR OVERHAUL KITS** have been assembled which include connecting rods, crankpin bushings and main bearings, plus all items in the Tune Up Kit to repair one Type 30 Compressor.
- These kits are equivalent to the IR Step Saver Kits I + II + III + IV.
- Small compressor kits are available with either Aluminum or Bronze connecting rods. These are designated with the letters A or B.
- To order kits with old style filter pads (instead of filter elements), please add the letter "P" to the kit part number. Kits for vacuum pumps do not contain filters.
- Gasket sets for finger valve compressors in Major Overhaul Kits contain Flexible Graphite gaskets as required. Kits with green Compressed Non-Asbestos gaskets instead of Flexible Graphite also available at a lower cost, please call.
- Note our kits do not contain shaft seal repair kits, if needed please order from page IR-13

VALVE SET MAJOR OVERHAUL KITS (VSMOK) (Page IR-5) have been assembled that includes all parts in MOK's, with complete Replacement Valve Assemblies instead of Wearing Valve Parts.

TUNE UP KITS (TUK) (Page IR-6) To replace wearing parts in the head and cylinder

- **TUNE UP KITS** have been assembled which include Gasket Kit, Piston Ring Kit, oil seal, and wearing valve parts to recondition one Type 30 Compressor.
- To order kits with old style filter pads (instead of filter elements), please add the letter "P" to the kit part number. Kits for vacuum pumps do not contain filters.
- These kits are equivalent to the IR Step Saver Kits I + II + III. Note our kits do not contain shaft seal repair kits, if needed please order from page IR-13
- Tune up kits for finger valve compressors are available with either Flexible Graphite gaskets, as required (note the letter "G" after the model, except models 2340, 2420, 2475 and 2545 only are available with Flexible Graphite gaskets) or with green Compressed Non-Asbestos gaskets.

VALVE SET TUNE UP KITS (VSTUK) (Page IR-6) have been assembled that includes all parts in TUK's, with complete Replacement Valve Assemblies instead of Wearing Valve Parts.

HEAD OVERHAUL KITS (HOK) (Page IR-7) To replace wearing parts in the head only

- **HEAD OVERHAUL KITS** have been assembled with all necessary gaskets, "O" rings, and wearing valve parts to recondition the entire head for one Type 30 Compressor.
- To order kits with old style filter pads (instead of filter elements), please add the letter "P" to the kit part number. To order kits with old style filter pads, please add the letter "P" to the kit part number. Kits for vacuum pumps do not contain filters.
- These kits are equivalent to the IR Step Saver Kits I + II.
- Head overhaul kits for finger valve compressors are available with either Flexible Graphite gaskets as required (note the letter "G" after the model, except models 2340, 2420, 2475 and 2545 only are available with Flexible Graphite gaskets) or with green Compressed Non-Asbestos gaskets.

VALVE SET HEAD OVERHAUL KITS (VSHOK) (Page IR-7) have been assembled that includes all parts in HOK's, with complete Replacement Valve Assemblies instead of Wearing Valve Parts.

PISTON RING KITS (Page IR-10) Sets of piston rings are assembled and packaged separately for each piston.

GASKET KITS (Page IR-9) Some gasket kits for finger valve compressors are assembled two ways: Either with Flexible Graphite gaskets, sometimes referred to as Graphoil, the material used by the OEM (note the letter "G" after the model, except models 2340, 2420, 2475 and 2545 only are available with Flexible Graphite gaskets); Or Green Compressed Non-Asbestos material. Note usually only certain gaskets found in the air head are Flexible Graphite, other gaskets are made of the appropriate gasket materials. Note ICC MOK's for Finger Valve Compressors use the Flexible Graphite Gasket kits (if available). ICC TUK's and HOK's are available with either type Gasket Kit.

INGERSOLL RAND STYLE OVERHAUL KITS (Page IR-7 to IR-8) These kits are assembled with the same components as the OEM kits to the best of our knowledge. Often the OEM modifies the contents and/or change part numbers. We do our best to keep up. Please note that kits for the finger valve compressors use Green Compressed Non-Asbestos material except the kits marked with †, that contain Flexible Graphite gaskets as required. Also, these kits do not contain shaft repair sleeves; they can be purchased on page IR-13

CRANKSHAFT REPAIR KITS (Page IR-13) To repair crankshafts that have a groove worn in them from Viton oil seals.

See IR-Index for Pricing by Page Number and a Complete List by IR OEM Number

Full money back Guarantee if not satisfied

Kits may be available for other similar compressors. Please call for details.



INDEPENDENT COMPONENTS CORP.

528 Hempstead Turnpike, West Hempstead, NY 11552 • Phone 516-481-5100 FAX 516-481-5550
www.iccparts.com sales@iccparts.com • Toll Free: Phone 877-ICC-ICC3 FAX 800-814-8883

INGERSOLL – RAND TYPE – 30

MAJOR OVERHAUL KITS (MOK) and VALVE SET MAJOR OVERHAUL KITS (VSMOK) see detailed explanation on page IR-4

ALUMINUM CON RODS REPAIR VALVES I.C.C. PART NO.	BRONZE CON RODS REPAIR VALVES I.C.C. PART NO.	ALUMINUM CON RODS REPLACEMENT VALVES I.C.C. PART NO.	BRONZE CON RODS REPLACEMENT VALVES I.C.C. PART NO.
MOK-231A-IR § MOK-234A-IR ‡ § MOK-234AN-IR ‡ § MOK-2340-IR §	MOK-231B-IR § MOK-234B-IR § ‡	VSMOK-231A-IR § VSMOK-234A-IR ‡ § VSMOK-234AN-IR ‡ § VSMOK-2340-IR §	VSMOK-231B-IR § VSMOK-234B-IR ‡ §
MOK-235A-IR § MOK-235HNLA-IR §	MOK-235B-IR § MOK-235HNLB-IR §	VSMOK-235A-IR § VSMOK-235HNLA-IR §	VSMOK-235B-IR § VSMOK-235HNLB-IR §
MOK-242A-IR § MOK-2420-IR § MOK-2475-IR § MOK-244A-IR § MOK-244HA-IR §	MOK-242B-IR § MOK-244B-IR § MOK-244HB-IR §	VSMOK-242A-IR § VSMOK-2420-IR § VSMOK-2475-IR § VSMOK-244A-IR § VSMOK-244HA-IR §	VSMOK-242B-IR § VSMOK-244B-IR § VSMOK-244HB-IR §
MOK-253A-IR § MOK-2540-IR § MOK-2545-IR § MOK-255A-IR §	MOK-253B-IR § MOK-255B-IR §	VSMOK-253A-IR § VSMOK-2540-IR § VSMOK-2545-IR § VSMOK-255A-IR §	VSMOK-253B-IR § VSMOK-255B-IR §
MOK-SS3-IR		VSMOK-SS3-IR	

KITS to REPAIR VALVES I.C.C. PART NO.	KITS with REPLACEMENT VALVES I.C.C. PART NO.	KITS to REPAIR VALVES I.C.C. PART NO.	KITS with REPLACEMENT VALVES I.C.C. PART NO.
MOK-5T2NL-IR MOK-57T-IR MOK-7S-IR MOK-7S2-IR MOK-7S3-IR	VSMOK-5T2NL-IR † VSMOK-57T-IR † VSMOK-7S-IR † VSMOK-7S2-IR † VSMOK-7S3-IR †	MOK-15T-IR MOK-15T2-IR MOK-15T4-IR MOK-15V-IR	VSMOK-15T-IR † VSMOK-15T2-IR † VSMOK-15T4-IR † VSMOK-15V-IR
MOK-7T-IR MOK-7T2-IR MOK-7T3-IR MOK-7V-IR	VSMOK-7T-IR † VSMOK-7T2-IR † VSMOK-7T3-IR † VSMOK-7V-IR	MOK-20S-IR MOK-20S2-IR MOK-20S3-IR MOK-20S4-IR	VSMOK-20S-IR † VSMOK-20S2-IR † VSMOK-20S3-IR † VSMOK-20S4-IR †
MOK-71T-IR MOK-71T2-IR MOK-7100-IR	VSMOK-71T-IR † VSMOK-71T2-IR † VSMOK-7100-IR †	MOK-20T-IR MOK-20T2-IR MOK-20V-IR MOK-25T-IR MOK-25T2-IR	VSMOK-20T-IR † VSMOK-20T2-IR † VSMOK-20V-IR VSMOK-25T-IR † VSMOK-25T2-IR †
MOK-10T-IR MOK-10T2-IR MOK-10T3NL-IR	VSMOK-10T-IR † VSMOK-10T2-IR VSMOK-10T3NL-IR †	MOK-30T-IR MOK-3000-IR	VSMOK-30T-IR † VSMOK-3000-IR †
MOK-15S-IR MOK-15S2-IR MOK-15S3-IR	VSMOK-15S-IR † VSMOK-15S2-IR † VSMOK-15S3-IR †	MOK-41-IR MOK-55-IR MOK-64-IR MOK-67-IR MOK-67WG-IR MOK-223-IR	VSMOK-41-IR † VSMOK-55-IR VSMOK-64-IR † VSMOK-67-IR † VSMOK-67WG-IR VSMOK-223-IR §

§ Contains filter ELE-979-IR (32170979) (See Complete Listing in AIR FILTER / OIL FILTER Section)
† Contains filter ELE-4080B-IR (W114080B, 32012957)
‡ Model 234 serial number 568000 and above have the new style HP valve, use our kit with “N” in the part number.

Kits may be available for other similar compressors. Please call for details.

Independent Components Corp. Is an independent supplier of compressor replacement parts and is not affiliated with manufacturers mentioned in this catalog. The original manufacturer's product description and/or part number is given for reference only.



INDEPENDENT COMPONENTS CORP.

528 Hempstead Turnpike, West Hempstead, NY 11552 • Phone 516-481-5100 FAX 516-481-5550
www.iccparts.com sales@iccparts.com • Toll Free: Phone 877-ICC-ICC3 FAX 800-814-8883

INGERSOLL – RAND TYPE – 30

TUNE UP KITS (TUK) and VALVE SET TUNE UP KITS (VSTUK) see detailed explanation on page IR-4.

I.C.C. PART NO.	I.C.C. PART NO.	I.C.C. PART NO.	I.C.C. PART NO.
TUK-23A-IR §	VSTUK-23A-IR §	TUK-7V-IR	VSTUK-7V-IR
TUK-23ANL-IR §	VSTUK-23ANL-IR §	TUK-71T-IR †	VSTUK-71T-IR †
TUK-222-IR §	VSTUK-222-IR §	TUK-7100-IR †	VSTUK-7100-G-IR †
TUK-231-IR §	VSTUK-231-IR §	TUK-7100-G IR †	VSTUK-7100-G-IR †
TUK-234-IR ‡§	VSTUK-234-IR §	TUK-71T2-IR †	VSTUK-71T2-IR †
TUK-234N-IR ‡ §	VSTUK-234N-IR ‡ §	TUK-10T-IR †	VSTUK-10T-IR †
TUK-2340-IR §	VSTUK-2340-IR §	TUK-10T2-IR	VSTUK-10T2-IR
TUK-235-IR §	VSTUK-235-IR §	TUK-10T3-NL-IR †	VSTUK-10T3NL-IR †
TUK-235HNL-IR §	VSTUK-235HNL-IR §	TUK-15S-IR †	VSTUK-15S-IR †
TUK-242-IR §	VSTUK-242-IR §	TUK-15S2-IR †	VSTUK-15S2-IR †
TUK-242-G-IR §	VSTUK-242-G-IR §	TUK-15S3-IR †	VSTUK-15S3-IR †
TUK-2420-IR§	VSTUK-2420-IR §	TUK-15T-IR †	VSTUK-15T-IR †
TUK-2475-IR§	VSTUK-2475-IR §	TUK-15T2-IR †	VSTUK-15T2-IR †
TUK-244-IR §	VSTUK-244-IR §	TUK-15T4-IR †	VSTUK-15T4-IR †
TUK-244-G-IR §	VSTUK-244-G IR §	TUK-SM206-IR	VSTUK-SM206-IR
TUK-244H-IR §	VSTUK-244H-IR §	TUK-15V-IR	VSTUK-15V-IR
TUK-244H-G-IR §	VSTUK-244H-§	TUK-20S-IR †	VSTUK-20S-IR †
TUK-253-IR §	VSTUK-253-IR §	TUK-20S2-IR †	VSTUK-20S2-IR †
TUK-253-G-IR §	VSTUK-253-G-IR §	TUK-20S3-IR †	VSTUK-20S3-IR †
TUK-255-IR §	VSTUK-255-IR §	TUK-20S4-IR †	VSTUK-20S4-IR
TUK-255-G-IR §	VSTUK-255-G-IR §	TUK-20T-IR †	VSTUK-20T-IR †
TUK-2540-IR §	VSTUK-2540-IR §	TUK-20T2-IR †	VSTUK-20T2-IR †
TUK-2540-G-IR §	VSTUK-2540-G-IR §	TUK-20V-IR	VSTUK-20V-IR
TUK-2545-IR §	VSTUK-2545-IR §	TUK-25T-IR †	VSTUK-25T-IR †
TUK-SS3-IR	VSTUK-SS3-IR	TUK-25T2-IR †	VSTUK-25T2-IR †
TUK-5T2NL-IR †	VSTUK-5T2NL-IR †	TUK-30T-IR †	VSTUK-30T-IR †
TUK-57T-IR †	VSTUK-57T-IR †	TUK-3000-IR †	VSTUK-3000-G-IR†
TUK-7S-IR †	VSTUK-7S-IR †	TUK-3000-G-IR †	VSTUK-3000-G-IR †
TUK-7S2-IR †	VSTUK-7S2-IR †	TUK-A-IR §	VSTUK-A-IR §
TUK-7S3-IR †	VSTUK-7S3-IR †	TUK-25-IR §	VSTUK-25-IR §
TUK-7T-IR †	VSTUK-7T-IR †	TUK-41-IR §	VSTUK-41-IR §
TUK-7T2-IR †	VSTUK-7T2-IR †	TUK-52-IR †	VSTUK-52-IR †
TUK-7T3-IR †	VSTUK-7T3-IR †	TUK-55-IR	VSTUK-55-IR
TUK-7T4-IR †	VSTUK-7T4-IR †	TUK-64-IR †	VSTUK-64-IR †
		TUK-67-IR †	VSTUK-67-IR †
		TUK-67WG-IR	VSTUK-67WG-IR
		TUK-223-IR §	VSTUK-223-IR §
		TUK-554-IR	VSTUK-554-IR

- § Contains filter ELE-979-IR (32170979) (See Complete Listing in AIR FILTER / OIL FILTER Section)
- † Contains filter ELE-4080B-IR (W114080B, 32012957)
- ‡ Model 234 serial number 568000 and above have the new style HP valve, use our kit with "N" in the part number.

See IR-Index for Pricing by Page Number and a Complete List by IR OEM Number

Please call for price and delivery of part numbers not listed

Full money back Guarantee if not satisfied

We sell only to resale accounts – We do not sell to the end user

Kits may be available for other similar compressors. Please call for details.

Independent Components Corp. Is an independent supplier of compressor replacement parts and is not affiliated with manufacturers mentioned in this catalog. The original manufacturer's product description and/or part number is given for reference only.



INDEPENDENT COMPONENTS CORP.

528 Hempstead Turnpike, West Hempstead, NY 11552 • Phone 516-481-5100 FAX 516-481-5550
 www.iccparts.com sales@iccparts.com • Toll Free: Phone 877-ICC-ICC3 FAX 800-814-8883

INGERSOLL – RAND TYPE – 30

HEAD OVERHAUL KITS (HOK) and VALVE SET HEAD OVERHAUL KITS (VSHOK) see detailed explanation on page IR-4

I.C.C. PART NO.	I.C.C. PART NO.	I.C.C. PART NO.	I.C.C. PART NO.
HOK-23ANL-IR §	VSHOK-23ANL-IR §	HOK-7100-IR †	VSHOK-7100-G-IR †
HOK-222-IR §	VSHOK-222-IR §	HOK-7100-G-IR †	VSHOK-7100-G-IR †
HOK-223-IR §	VSHOK-223-IR §	HOK-71T2-IR †	VSHOK-71T2-IR †
HOK-231-IR §	VSHOK-231-IR §	HOK-10T-IR †	VSHOK-10T-IR †
HOK-234-IR §	VSHOK-234-IR §	HOK-10T2-IR	VSHOK-10T2-IR
HOK-234N-IR ‡ §	VSHOK-234N-IR ‡ §	HOK-10T3NL-IR †	VSHOK-10T3NL-IR †
HOK-235-IR §	VSHOK-235-IR §	HOK-15T-IR †	VSHOK-15T-IR †
HOK-235HNL-IR	VSHOK-235HNL-IR §	HOK-15T2-IR †	VSHOK-15T2-IR †
HOK-2340-IR §	VSHOK-2340-IR §	HOK-15T4-IR †	VSHOK-15T4-IR †
HOK-242-IR §	VSHOK-242-G-IR §	HOK-15V-IR	VSHOK-15V-IR
HOK-242-G-IR §	VSHOK-242-G-IR §	HOK-25T2-IR †	VSHOK-25T2-IR
HOK-2420-IR §	VSHOK-2420-IR §	HOK-30T-IR †	VSHOK-30T-IR †
HOK-2475-IR §	VSHOK-2475-IR §	HOK-3000-IR †	VSHOK-3000-G-IR
HOK-244-IR §	VSHOK-244-G-IR §	HOK-3000-G-IR †	VSHOK-3000-G-IR
HOK-244-G-IR §	VSHOK-244-G-IR §	HOK-7S-IR †	VSHOK-7S-IR †
HOK-244H-IR §	VSHOK-244H-G-IR §	HOK-7S2-IR †	VSHOK-7S2-IR †
HOK-244H-G-IR §	VSHOK-244H-G-IR §	HOK-7S3-IR †	VSHOK-7S3-IR †
HOK-253-IR §	VSHOK-253-IR §	HOK-15S-IR †	VSHOK-15S-IR †
HOK-253-G-IR §	VSHOK-253-G-IR §	HOK-15S2-IR †	VSHOK-15S2-IR
HOK-255-IR §	VSHOK-255-G-IR §	HOK-15S3-IR †	VSHOK-15S3-IR
HOK-255-G-IR §	VSHOK-255-G-IR §	HOK-20S-IR †	VSHOK-20S-IR †
HOK-2540-IR §	VSHOK-2540-G-IR §	HOK-20S2-IR †	VSHOK-20S2-IR †
HOK-2540-G-IR §	VSHOK-2540-G-IR §	HOK-20S3-IR †	VSHOK-20S3-IR †
HOK-2545-IR §	VSHOK-2545-IR §	HOK-20S4-IR †	VSHOK-20S4-IR †
HOK-SS3-IR	VSHOK-SS3-IR	HOK-20T-IR †	VSHOK-20T-IR †
HOK-57T-IR §	VSHOK-57T-IR §	HOK-20T2-IR †	VSHOK-20T2-IR
HOK-5T2NL-IR †	VSHOK-5T2NL-IR †	HOK-20V-IR	VSHOK-20V-IR
HOK-7T-IR †	VSHOK-7T-IR †	HOK-25T-IR †	VSHOK-25T-IR †
HOK-7T2-IR †	VSHOK-7T2-IR †	HOK-23A-IR §	VSHOK-23A-IR §
HOK-7T3-IR †	VSHOK-7T3-IR †	HOK-41-IR §	VSHOK-41-IR §
HOK-7T4-IR †	VSHOK-7T4-IR †	HOK-52-IR †	VSHOK-52-IR †
HOK-7V-IR	VSHOK-7V-IR	HOK-64-IR †	VSHOK-64-IR †
HOK-71T-IR †	VSHOK-71T-IR †	HOK-67-IR †	VSHOK-67-IR †

§ Contains filter ELE-979-IR (32170979) (See Complete Listing in AIR FILTER / OIL FILTER Section)
 † Contains filter ELE-4080B-IR (W114080B, 32012957)
 ‡ Model 234 serial number 568000 and above have the new style HP valve, use our kit with "N" in the part number.

I.R. PART NUMBERS	I.C.C. PART NO.	I.R. PART NUMBERS	I.C.C. PART NO.
W54139 (37002953)	Valve Repair KIT-4139-IR	32127391	Level IV KIT-7391-IR
32007254 (BL40196)	Special KIT-7254-IR	32127409	Level I KIT-7409-IR
32007262 (BL40194)	Special KIT-7262-IR	32127417	Level II † KIT-7417-IR
32011233 (W136402T1)	Special KIT-1233-IR	32127425	Level III KIT-7425-IR
32127326	Level I KIT-7326-IR	32127433	Level IV KIT-7433-IR
32127334	Level II KIT-7334-IR	32127441	Level I KIT-7441-IR
32127342	Level III KIT-7342-IR	32127458	Level II KIT-7458-IR
32127359	Level IV KIT-7359-IR	32127466	Level III KIT-7466-IR
32127375	Level II KIT-7375-IR	32127474	Level IV KIT-7474-IR
32127383	Level III KIT-7383-IR	32127482	Level I KIT-7482-IR

Prices subject to change without notice

Kits may be available for other similar compressors. Please call for details.



INDEPENDENT COMPONENTS CORP.

528 Hempstead Turnpike, West Hempstead, NY 11552 • Phone 516-481-5100 FAX 516-481-5550
www.iccparts.com sales@iccparts.com • Toll Free: Phone 877-ICC-ICC3 FAX 800-814-8883

INGERSOLL – RAND TYPE – 30

I.R. PART NUMBERS		I.C.C. PART NO.	I.R. PART NUMBERS		I.C.C. PART NO.
INGERSOLL RAND STYLE OVERHAUL KITS (continued)					
32127490	Level II	KIT-7490-IR	32171464	Level I	KIT-1464-IR
32127508	Level III	KIT-7508-IR	32193997	Level II	KIT-3997-IR
32127516	Level IV	KIT-7516-IR	32194011	Level II	KIT-4011-IR
32127532	Level II	KIT-7532-IR	32198301	Level III	KIT-8301-IR
32127540	Level III	KIT-7540-IR	32198319	Level III	KIT-8319-IR
32132854	Level II	KIT-2854-IR	32198327	Level III	KIT-8327-IR
32132862	Level III	KIT-2862-IR	32194003	Level III	KIT-4003-IR
32132896	Level II	KIT-2896-IR	32194029	Level III	KIT-4029-IR
32132904	Level III	KIT-2904-IR	32198400	Level III	KIT-8400-IR
32132912	Level II	KIT-2912-IR	32202772	Level II †	KIT-2772-IR
32132920	Level III	KIT-2920-IR	32202400	Level III	KIT-2400-IR
32132938	Level IV	KIT-32938-IR	32202418	Level III	KIT-2418-IR
32132953	Level II	KIT-2953-IR	32202426	Level III	KIT-2426-IR
32132961	Level III	KIT-2961-IR	32202434	Level III	KIT-2434-IR
32132979	Level IV	KIT-2979-IR	32204307	Level IV	KIT-4307-IR
32132987	Level III	KIT-2987-IR	32212938	Level III	KIT-2938-IR
32133001	Level II †	KIT-3001-IR	32213597	Level III	KIT-3597-IR
32133019	Level III	KIT-3019-IR	32213605	Level III	KIT-3605-IR
32133035	Level III	KIT-3035-IR	32213613	Level III	KIT-3613-IR
32133043	Level II	KIT-3043-IR	32217689	Level III	KIT-7689-IR
32133050	Level III	KIT-3050-IR	32218869	Level III	KIT-8869-IR
32133068	Level II	KIT-3068-IR	32226342	Level III	KIT-6342-IR
32133084	Level II †	KIT-3084-IR	32229379	Level II †	KIT-9379-IR
32133092	Level III	KIT-3092-IR	32229874	Level II †	KIT-9874-IR
32133860	Level II	KIT-3860-IR	32229882	Level II †	KIT-9882-IR
32133878	Level III	KIT-3878-IR	32230492	Level II †	KIT-0492-IR
32133886	Level II	KIT-3886-IR	32249278	Level II †	KIT-9278-IR
32133894	Level III	KIT-3894-IR	32249294	Level II †	KIT-9294-IR
32133902	Level III	KIT-3902-IR	32250441	Gasket †	KIT-0441-IR
32133910	Level II	KIT-3910-IR	32250458	Gasket †	KIT-0458-IR
32133936	Level II	KIT-3936-IR	32254690	Upgrade †	KIT-4690-IR
32133944	Level II	KIT-3944-IR	32254708	Upgrade †	KIT-4708-IR
32133951	Level II	KIT-3951-IR	32257933	Level III	KIT-7933-IR
32133985	Level II	KIT-3985-IR	32278616	Level III	KIT-8616-IR
32133993	Level III	KIT-3993-IR	32278657	Level II †	KIT-8657-IR
32134017	Level II	KIT-4017-IR	32301426	Level II †	KIT-1426-IR
32134025	Level III	KIT-4025-IR	32301509	Level IV	KIT-1509-IR
32134033	Level II	KIT-4033-IR	32301517	Level III	KIT-1517-IR
32134058	Level II	KIT-4058-IR	32304602	Level III	KIT-4602-IR
32134066	Level III	KIT-4066-IR	32304610	Level II †	KIT-4610-IR
32134074	Level II	KIT-4074-IR	32307084	Level III	KIT-7084-IR
32134082	Level III	KIT-4082-IR	32307118	Level II †	KIT-7118-IR
32134090	Level II	KIT-4090-IR	32310062	Level IV	KIT-0062-IR
32134108	Level III	KIT-4108-IR	32319451	Overhaul	KIT-9451-IR
32134173	Level II	KIT-4173-IR	32319469	Overhaul	KIT-9469-IR
32134181	Level III	KIT-4181-IR	32319477	Overhaul	KIT-9477-IR
32157539	Level II	KIT-7539-IR	32319493	Overhaul †	KIT-9493-IR
32159337	Level II	KIT-9337-IR	32319667	Overhaul †	KIT-9667-IR
32166787	Level I	KIT-6787-IR			

See IR-Index for Pricing by Page Number and a Complete List by IR OEM Number

Please call for price and delivery of part numbers not listed



INDEPENDENT COMPONENTS CORP.

528 Hempstead Turnpike, West Hempstead, NY 11552 • Phone 516-481-5100 FAX 516-481-5550
www.iccparts.com sales@iccparts.com • Toll Free: Phone 877-ICC-ICC3 FAX 800-814-8883

INGERSOLL – RAND TYPE – 30

I.R. PART NUMBERS	I.C.C. PART NO.	I.R. PART NUMBERS	I.C.C. PART NO.		
GASKET KITS See details on page IR-4					
X1453T1.....	30420285	GK-A-IR	X1453T59.....30808323	GK-15S-IR	
X1453T2.....	30420293	GK-B-IR	X1453T60.....	GK-15S2-IR	
X1453T42.....	30420525	GK-LPG7-1/2-IR	X1453T61.....	GK-15S3-IR	
X1453T40.....	30811111	GK-LPG5-IR	X1453T56.....	GK-15T-IR	
34335661.....	34335661	GK-H20NG-IR	X1453T57.....	GK-15T2-IR	
X1453T82.....	37126711	GK-5T2NL-IR	X1453T58.....	32015000	GK-15T3-IR
X1453T4.....	30420139	GK-23A-IR	W90620.....	37007408	GK-15T4-IR
X1453T13.....	30420376	GK-24-IR	X1453T62.....	37097523	GK-15V-IR
X1453T18.....	30420418	GK-25-IR	X1453T66.....	30811145	GK-20S-IR
X1453T24.....	30420459	GK-41-IR	X1453T64.....	30423370	GK-20T-IR
X1453T86.....		GK-42WG-IR	X1453T65.....	30423388	GK-20T2-IR
X1453T39.....		GK-44WG-IR	X1453T67 (for 20V & 20VT).....	31169980	GK-20V-IR
X1453T36.....		GK-64WG-IR	X1453T84.....	37190782	GK-25T2-IR
X1453T37.....		GK-67WG-IR	32153793.....	32153793	GK-30T-IR
5A1200B.....		GK-52-IR	X1453T10.....	30420343	GK-231-IR
.....		GK-55-IR	X1453T6.....	30420327	GK-234-IR
X1453T34.....	30420483	GK-64-IR	234 serial no. 568000 & UP.....	32159311	GK-234N-IR
X1453T35.....	30811103	GK-67-IR	32307738.....	32307738	GK-2340-IR §
X1453T8.....	30811152	GK-222-IR	X1453T9.....	30420335	GK-235-IR
X1453T74.....	30423396	GK-223-IR	X1453T16.....	30420400	GK-235HNL-IR
5A1201.....		GK-554-IR	X1453T14 (30420384).....	32249302	GK-242-IR
X1453T51.....	30420608	GK-57T-IR	X1453T15.....	30420392	GK-244-IR
X1453T48.....	30420574	GK-7S-IR	X1453T19.....	30420426	GK-244H-IR
X1453T49.....	30420582	GK-7S2-IR	32278624	GK-2420-IR §
X1453T50.....	30420590	GK-7S3-IR	32301434	GK-2475-IR §
X1453T46.....	30420558	GK-7T-IR	X1453T20 (30420434).....	32249286	GK-253-IR
X1453T47.....	30420566	GK-7T2-IR	X1453T21.....	30420442	GK-255-IR
X1453T54 (5A1200T3P1).....	30811137	GK-7T3-IR	32209330.....	32229890	GK-2540-IR
32134009.....	32134009	GK-7T4-IR	32307126	GK-2545-IR §
X1453T55.....	37001500	GK-7V-IR		GK-SS3-IR
X1453T45.....	30420541	GK-71T-IR		GK-SS5-IR
X1453T52.....	30418826	GK-10T-IR	32194458 (32194458).....	32229908	GK-7100-IR
W90619.....	37007390	GK-10T2-IR	32194441.....	32229387	GK-3000-IR
X1453T83.....	37126729	GK-10T3NL-IR			

§ These gasket kits contain Flexible Graphite Gaskets where needed

When ordering Gasket Kits with Flexible Graphite Gaskets, add the letter "G" after the model

See IR-Index for Pricing by Page Number and a Complete List by IR OEM Number

Please call for price and delivery of part numbers not listed

Full money back Guarantee if not satisfied

We sell only to resale accounts – We do not sell to the end user

Prices subject to change without notice

Kits may be available for other similar compressors. Please call for details.

Independent Components Corp. Is an independent supplier of compressor replacement parts and is not affiliated with manufacturers mentioned in this catalog. The original manufacturer's product description and/or part number is given for reference only.



INDEPENDENT COMPONENTS CORP.

528 Hempstead Turnpike, West Hempstead, NY 11552 • Phone 516-481-5100 FAX 516-481-5550
www.iccparts.com sales@iccparts.com • Toll Free: Phone 877-ICC-ICC3 FAX 800-814-8883

INGERSOLL – RAND TYPE – 30

INGERSOLL – RAND Piston Ring Chart

Model	Old IR Part No.	Qty	1st Stage
Single Stage Compressors			
A	X1457T1A	1	RK-T1A-IR
B	X1457T2A	2	RK-T1A-IR
15S	X1457T47A	3	RK-T19A-IR
15S2	X1457T48A	3	RK-T3-IR
15S3	X1457T49A	3	RK-T14A-IR
222	X1457T8A	2	RK-T17-IR
235	X1457T9A	2	RK-T4A-IR
235HNL		2	RK-T37C-IR
244	X1457T16A	2	RK-T14A-IR
244H	X1457T16A	2	RK-T14A-IR
255	X1457T21A	2	RK-T19A-IR
23A	X1457T4A	1	RK-T4A-IR
23ANL		1	RK-T37C-IR
24	X1457T14A	1	RK-T14A-IR
25	X1457T19A	1	RK-T19A-IR
67	X1457T29A	2	RK-T1-IR
7S	X1457T21A	2	RK-T19A-IR
7S2	X1457T39A	2	RK-T3-IR
7S3	X1457T16A	2	RK-T14A-IR
20S	X1457T47A	3	RK-T19A-IR
20S3	X1457T49A	3	RK-T14A-IR

Model	Old IR Part No.	Qty	1st Stage	Qty	2nd Stage
Multi Stage Compressors					
20S2	X1457T48A	3	RK-T3-IR		
20S4		3	RK-T3-IR		
7V	X1457T39A	2	RK-T3-IR		
15V		3	RK-T3-IR		
20V		3	RK-T12-IR		
223		1	RK-T32-IR	1	RK-T33-IR
231	X1457T10A	1	RK-T4A-IR	1	RK-T18-IR
234	X1457T7A	1	RK-T4A-IR	1	RK-T19-IR
2340		1	RK-4276-IR	1	RK-T19-IR
242	X1457T15A	1	RK-T14A-IR	1	RK-T17-IR
2420		1	RK-4151-IR	1	RK-8368-IR
2475		1	RK-7928-IR	1	RK-7910-IR
253	X1457T20A	1	RK-T19A-IR	1	RK-T4A-IR
2540		1	RK-8376-IR	1	RK-8335-IR
2545		1	RK-7100-IR	1	RK-7092-IR
41	X1457T24A	1	RK-T14A-IR	1	RK-T13-IR
5T2NLT		1	RK-T46-IR	1	RK-T45-IR
57T	X1457T40A	1	RK-T19A-IR	1	RK-T6-IR
64	X1457T28A	1	RK-T1-IR	1	RK-T9-IR

Model	Old IR Part No.	Qty	1st Stage	Qty	2nd Stage	Qty	Last Stage
71T	X1457T36A	1	RK-T3-IR	1	RK-T9-IR		
71T2	X1457T67A	1	RK-T3-IR	1	RK-T4A-IR		
7T	X1457T37A	1	RK-T19A-IR	1	RK-T17-IR		
7T2	X1457T38A	1	RK-T19A-IR	1	RK-T4-IR		
7T3		1	RK-T14A-IR	1	RK-T10-IR		
7T4		1	RK-T4A-IR	1	RK-T30-IR		
10T	X1457T42A	2	RK-T5-IR	1	RK-T6-IR		
10T2	See notes below	1	RK-T26-IR	1	RK-T27-IR	1	RK-T28-IR
10T3NL		2	RK-T45-IR	1	RK-T47-IR		
15T	X1457T44A	2	RK-T19A-IR	1	RK-T9-IR		
15T2	X1457T45A	1	RK-T3-IR	1	RK-T4A-IR	1	RK-T10-IR
15T4	See notes below	1	RK-T29-IR	1	RK-T30-IR	1	RK-T31-IR
20S2		2	RK-T19A-IR	1	RK-T3-IR		
20S3		1	RK-T19A-IR	2	RK-T3-IR		
20T	X1457T53A	2	RK-T19A-IR	1	RK-T5-IR		
20T2	X1457T44A	2	RK-T19A-IR	1	RK-T9-IR		
25T	X1457T68A	2	RK-T3-IR	1	RK-T5-IR		
25T2		2	RK-T3-IR	1	RK-T14A-IR		
30T		2	RK-T3-IR	1	RK-T14A-IR		
7100		1	RK-4144-IR	1	RK-4276-IR		
3000		2	RK-4144-IR	1	RK-4151-IR		

Note 10T2 and 15T4, 1st ring set contains stages 1 & 2, 2nd ring set contains stage 3, and 3rd ring set contains stage 4.

I.R. PART NUMBERS	I.C.C. PART NO.	I.R. PART NUMBERS	I.C.C. PART NO.
PISTON RING KITS Please check the chart below to find the part numbers and quantities.			
W114364T1	RK-T1-IR	W114364T30	RK-T30-IR
W114364T36A (X1457T1A)	RK-T1A-IR	W114364T31	RK-T31-IR
W114364T3	RK-T3-IR	W114364T32	RK-T32-IR
W114364T4	RK-T4-IR	W114364T33	RK-T33-IR
W114364T37A (X1457T4A)	RK-T4A-IR	W114364T37C	RK-5158-IR
W114364T5	RK-T5-IR	W114364T45	RK-T45-IR
W114364T6	RK-T6-IR	W114364T46	RK-T46-IR
W114364T9	RK-T9-IR	W114364T47	RK-T47-IR
W114364T10	RK-T10-IR	alternate to RK-T3-IR	RK-4144-IR
W114364T12	RK-T12-IR	alternate to RK-T14A-IR	RK-4151-IR
W114364T13	RK-T13-IR		RK-8335-IR
W114364T37D (X1457T14A)	RK-T14A-IR		RK-8376-IR
W114364T17	RK-T17-IR		RK-8368-IR
W114364T18	RK-T18-IR		RK-4276-IR
W114364T19	RK-T19-IR		RK-8182-IR
W114364T37E (X1457T19A)	RK-T19A-IR	32307092	RK-7092-IR
W114364T26	RK-T26-IR	32307100	RK-7100-IR
W114364T27	RK-T27-IR	32307910	RK-7910-IR
W114364T28	RK-T28-IR	32307928	RK-7928-IR
W114364T29	RK-T29-IR		

See IR-Index for Pricing by Page Number and a Complete List by IR OEM Number

Please call for price and delivery of part numbers not listed

Remember! You risk nothing to check the quality of our products

Full money back Guarantee if not satisfied

We sell only to resale accounts – We do not sell to the end user



INDEPENDENT COMPONENTS CORP.

528 Hempstead Turnpike, West Hempstead, NY 11552 • Phone 516-481-5100 FAX 516-481-5550
www.iccparts.com sales@iccparts.com • Toll Free: Phone 877-ICC-ICC3 FAX 800-814-8883

INGERSOLL – RAND TYPE – 30

I.R. PART NUMBERS	I.C.C. PART NO.	I.R. PART NUMBERS	I.C.C. PART NO.	
PISTON PINS				
W11871.....	30297055	PIN-231H-IR	W11869.....30288427	PIN-15TL-IR
W11857.....	30297113	PIN-234L-IR	W11867.....30288385	PIN-15TH-IR
W11858.....	30297089	PIN-234H-IR	W39654.....30297139	PIN-20TH-IR
W11866.....	30288393	PIN-242L-IR	W28872.....37131695	PIN-25T2H-IR
W11629.....	30287783	PIN-242H-IR	W21911.....30297030	PIN-7TH-IR
W11860.....	30297022	PIN-253L-IR	W21933.....30294029	PIN-71T2H-IR
W11861.....	30297063	PIN-253H-IR	32220592.....32220592	PIN-7100H-IR
32182818.....	32182818	PIN-2540H-IR	W11869P1.....	PIN-25WG-L-IR
.....	PIN-SS3-IR	W11867P1.....	PIN-25WG-H-IR
W21157.....	30297105	PIN-10TL-IR	W11868.....30288377	PIN-64L-IR
W21777.....	30297097	PIN-10TH-IR	W54147.....30294037	PIN-4037-IR
.....	W110897.....37170271	PIN-0271-IR
PISTONS with PINS & LOCK RINGS				
W75295T30.....	30215412	PST-231H-IR	97330468.....97330468	PST-SS3-IR
W75295T20.....	30292429	PST-234L-IR	W75295T150.....30215206	PST-10TL-IR
W75295T10.....	30215180	PST-234H-IR	W75295T140.....30215271	PST-10TH-IR
32496572.....	32496572	PST-2340L-IR	W75295T230.....30215214	PST-15TL-IR
32496606.....	32496606	PST-2340H-IR	W75295T210.....30215198	PST-15TH-IR
W75295T60.....	30215263	PST-242L-IR	W75295T170.....30215438	PST-15T2H-IR
W75295T40.....	30288518	PST-242H-IR	W75295T240.....30215222	PST-25TL-IR
32278640.....	32278640	PST-2420L-IR	W75295T220.....30292312	PST-25T2H-IR
32496598.....	32293532	PST-2475H-IR	W75295T190.....31517634	PST-7TH-IR
32496564.....	32496564	PST-2475L-IR	W75295T180.....30292304	PST-7T2H-IR
W75295T121.....	30287825	PST-253L-IR	W75295T200.....30292460	PST-71T2H-IR
W75295T100.....	30215255	PST-253H-IR	32223752.....32223752	PST-7100H-IR
32204950.....	32204950	PST-2540H-IR	5A201.....30299283	PST-64L-IR
32496580.....	32293896	PST-2545L-IR
32496614.....	32293888	PST-2545H-IR
PISTON PIN LOCK RINGS				
W11859.....	35151067	LR-234-IR	W11862.....30287791	LR-253-IR
W11630.....	30298020	LR-242-IR	W11870.....30288450	LR-15T-IR
PISTONS with PISTON RINGS SETS, PINS & LOCK RINGS				
W75295T30R.....	31141146	PSTR-231H-IR	W75295T230R.....31117518	PSTR-15TL-IR
W75295T20R.....	37154895	PSTR-234L-IR	W75295T210R.....31517667	PSTR-15TH-IR
W75295T10R.....	30292411	PSTR-234H-IR	W75295T170R.....31517626	PSTR-15T2H-IR
W75295T60R.....	30292361	PSTR-242L-IR	W75295T240R.....31517675	PSTR-25TL-IR
W75295T40R.....	30292262	PSTR-242H-IR	W75295T220R.....37123981	PSTR-25T2H-IR
W75295T121R.....	37154937	PSTR-253L-IR	W75295T190R.....31517642	PSTR-7TH-IR
W75295T100R.....	31517550	PSTR-253H-IR	W75295T180R.....37004405	PSTR-7T2H-IR
W75295T150R.....	31517600	PSTR-10TL-IR	W75295T200R.....31517659	PSTR-71T2H-IR
W75295T140R.....	31517592	PSTR-10TH-IR
PISTON TOPS for NL Pistons				
R53514.....	37140043	PST-5T2LP-IR	49839T2.....37148194	PSTR-10T3HP-IR
R53586.....	37140050	PST-10T3HP-IR

Prices subject to change without notice

Kits may be available for other similar compressors. Please call for details.

Independent Components Corp. Is an independent supplier of compressor replacement parts and is not affiliated with manufacturers mentioned in this catalog. The original manufacturer's product description and/or part number is given for reference only.



INDEPENDENT COMPONENTS CORP.

528 Hempstead Turnpike, West Hempstead, NY 11552 • Phone 516-481-5100 FAX 516-481-5550
www.iccparts.com sales@iccparts.com • Toll Free: Phone 877-ICC-ICC3 FAX 800-814-8883

INGERSOLL – RAND TYPE – 30

I.R. PART NUMBERS	I.C.C. PART NO.	I.R. PART NUMBERS	I.C.C. PART NO.
CONNECTING RODS			
ALUMINUM CONNECTING RODS		IRON CONNECTING RODS	
H36355 ALUM.....	32004145	ROD-234A-IR	R3713930217327
H36357 ALUM.....	32004152	ROD-242A-IR	R3713730217301
H36356 ALUM.....	32198160	ROD-253A-IR	R3713630217202
97330427.....	97330427	ROD-SS3-IR	R3713830217319
BRONZE CONNECTING RODS		R2259432003659	ROD-15TLI-IR
R40639 (H36355).....	32004145	R2259332003642	ROD-15THI-IR
R33936 (H36357).....	32004152		
R40641 (H36356).....	32198160		
5A35.....	30217400		
R7781.....			
CYLINDERS			
W75296T30 (R7433).....	37128550	CYL-231H-IR	W75296T370 (H6164).....37128782
W75296T50 (H48527).....	37130630	CYL-234L-IR	W75296T350 (H6163).....37128501
W75296T35 (R4079).....	37128659	CYL-234H-IR	W75296T310 (H6341).....37128675
(New style HP head).....	32144586	CYL-234NH-IR	W75296T390 (F16816).....32030389
W75296T90 (H48528).....	37128535	CYL-242L-IR	W75296T391 (F16815).....30944961
W75296T70 (R4114).....	37128634	CYL-242H-IR	W75296T315 (H27497).....31240658
W75296T160 (H48529).....	37128576	CYL-253L-IR	W75296T305 (H27488).....32054660
W75296T131 (R7444P1).....	37128592	CYL-253H-IR	W75296T380 (H6338).....37128832
32293656.....	32293656	CYL-2340L-IR	W75296T361 (H6477P1).....30291108
32294415.....	32294415	CYL-2340H-IR	W75296T320.....37128519
32247660.....	32247660	CYL-2420L-IR	W75296T330 (H6318).....37128477
32293540.....	32293540	CYL-2475L-IR	W75296T341 (H6340P1).....37128725
32247652 (Model 2420 also)....	32247652	CYL-2475H-IR	32153926.....32153926
32177669.....	32177669	CYL-2540L-IR	32153918.....32153918
32177172.....	32177172	CYL-2540H-IR	32172157.....32172157
32295271.....	32295271	CYL-2545L-IR	32172165.....32172165
32295248.....	32295248	CYL-2545H-IR	32174997.....32174997
97330625.....		CYL-SS3-IR	5A200.....33110974
W75296T230 (H6271).....	30998330	CYL-10TL-IR	
W75296T220 (H6270).....	37140035	CYL-10TH-IR	
CYLINDER RELIEF VALVE and AUX VALVE			
W75290T30.....	30291801	CRV-1A-IR	W43854T.....35500982
32225567.....	32225567	CRV-5567-IR	R53543T3.....32170771
LOW OIL LEVEL SWITCH			
32201527.....	32201527	SWO-1527-IR	W111475 (NEMA 4 – for Outside & Hazardous locations)
R53470 (H31231).....	37046448	SWO-3470-IR32217390
32276313.....	32276313	SWO-6313-IR	SWO-7390-IR
H48165.....	32001109	SWO-8165-IR	

See IR-Index for Pricing by Page Number and a Complete List by IR OEM Number

Prices subject to change without notice

Kits may be available for other similar compressors. Please call for details.

Independent Components Corp. Is an independent supplier of compressor replacement parts and is not affiliated with manufacturers mentioned in this catalog. The original manufacturer's product description and/or part number is given for reference only.



INDEPENDENT COMPONENTS CORP.

528 Hempstead Turnpike, West Hempstead, NY 11552 • Phone 516-481-5100 FAX 516-481-5550
www.iccparts.com sales@iccparts.com • Toll Free: Phone 877-ICC-ICC3 FAX 800-814-8883

INGERSOLL – RAND TYPE – 30

I.R. PART NUMBERS	I.C.C. I.C.C. PART NO.	I.R. PART NUMBERS	I.C.C. PART NO.		
CRANKSHAFTS with MAIN BEARINGS, lock washers and nuts (as required), now with crankpin bushings					
W75429	CKS-A-IR	32222762.....	CKS-10T3NLM-IR		
7A29	CKS-64-IR	W75291T80	CKS-15T-IR		
W75291T20.....	30211577	32496549.....	CKS-2340-IR		
W75291T22.....	30212238	32278632.....	CKS-2420-IR		
W75291T30 (W75291T150).....	30211585	32496507.....	CKS-2475-IR		
W75291T40.....	30211593	32213530.....	32213530	CKS-2540-IR	
W75291T50.....	30211635	32496556.....	32496556	CKS-2545-IR	
W75291T60 (W75291T60D)	30211627	97338081.....		CKS-SS3-IR	
W75291T70.....	30211619	W75291T106	32011900	CKS-3000-IR	
W75291T135.....	32040024				
CRANKSHAFT NUTS, LOCK WASHERS and WOODRUF KEYS SPACER/SHIMS & LOCKTITE					
W21473	30287688	NUT-15T-IR	23A9C709.....	95433173	WDRF-242-IR
W21914	30835698	NUT-7T-IR	23A9C810.....	95047437	WDRF-71T-IR
22A4C9	95098315	NUT-2545-IR	23A9C1012.....	95083721	WDRF-15T-IR
14A5C175	95265690	LW-15T-IR	32185803.....	32185803	LOC-609-IR
14A5C161	95081899	LW-7T-IR			
95043162	95043162	LW-2545-IR			
Crankshaft Repair Kits		SHAFT SLEEVE for Crankshaft Repair			
32319683	32319683	SRK-2545-IR	32174948.....	32174948	SLV-3000-IR
32498784	32498784	SRK-3000-IR	32174963.....	32174963	SLV-2545-IR
32498792	32498792	SRK-7100-IR	32498925.....	32498925	SLV-7100-IR
32499949	32499949	SRK-2475-IR	32499931.....	32499931	SLV-2475-IR
PILOT VALVES and THRUST PINS		THRUST PINS			
W75289T60.....	31117484	PIVAL-3-IR	W6909	30287809	THR-1-IR
R53608T10 (R53608T20)	37007986	PIVAL-4-IR	R53528	32028698	THR-2-IR
R53608T50 (R53608T60)	37046869	PIVAL-5-IR	W114074	32028706	THR-3-IR
32250144		PIVAL-5B-IR	W63627	30215040	THR-4-IR
			W63623	30215073	THR-5-IR
			32218406.....	32218406	THR-6-IR
CRANKPIN CAP & UNLOADER ASSEMBLIES		UNLOADER ASSEMBLIES (Crankpin cap assembly and pilot valve)			
CRANKPIN CAP ASSEMBLIES Complete with weights					
W75288T20.....	30210264	CCA-234-IR	W114086T20	37129616	CCP-234-IR
W75288T30.....	30278295	CCA-242-IR	W114086T30 (W114086T35)	37007960	CCP-242-IR
W75288T40 (W75288T45).....	30289110	CCA-253-IR	W114086T40 (W114086T45)	37129640	CCP-253-IR
W75288T50.....	30290944	CCA-10T-IR	W114086T50 (W114086T55)	37129681	CCP-10T-IR
32222812		CCP-10T3NLM-IR	W114086T60 (W114086T65)	37129707	CCP-15T-IR
W75288T60.....	30210272	CCA-15T-IR			
W75288T70.....	30290636	CCA-20T2-IR			
CRANKPIN CAP LOCKING SCREW		CRANKPIN CAPS Plain w/o Centrifugal Unloaders			
35A2C3E	95044111	SCR-4111-IR	W39807	30210314	CCAP-235V-IR
W21297 (35A2C110E)	95101911	SCR-1297-IR	W39808	30210298	CCAP-244V-IR
			W39809	30210280	CCAP-255V-IR
			W21961	30210348	CCAP-15V-IR
CRANKPIN BUSHINGS		CRANKPIN BUSHINGS			
W75326	30289813	CPB-234-IR	32245896.....	32245896	CPB-5896-IR
W75327	30210199	CPB-242-IR	R47245	32499659	CPB-10T-IR
W75328	30210165	CPB-253-IR	R47248	32295825	CPB-15T-IR
R47247	32295883	CPB-7T-IR	5A32 (D38481)	33216920	CPB-64-IR
R47246	32499642	CPB-57T-IR	5A32A (D42987).....	32029571	CPB-554-IR

Please call for price and delivery of part numbers not listed



INDEPENDENT COMPONENTS CORP.

528 Hempstead Turnpike, West Hempstead, NY 11552 • Phone 516-481-5100 FAX 516-481-5550
www.iccparts.com sales@iccparts.com • Toll Free: Phone 877-ICC-ICC3 FAX 800-814-8883

INGERSOLL – RAND TYPE – 30

I.R. PART NUMBERS	I.C.C. PART NO.	I.R. PART NUMBERS	I.C.C. PART NO.
MAIN BEARINGS			
26A19X205NRC3 (26A19X205NR).....95951216	BB-205L-IR	27A19X308NRC3 (27A19X308NR).....95951257	BB-308L-IR
27A19X305C3 (27X19X305).....95930400	BB-305-IR	28A19X408C3 (28A19X408).....95951299	BB-408-IR
26A19X206NRC3 (26A19X206NR).....95134185	BB-206L-IR	27A19X309NRC3 (27A19X309NR).....95951265	BB-309L-IR
27A19X306C3 (27A19X306).....95213914	BB-306-IR	28A19X409C3 (28A19X409).....95939674	BB-409-IR
26A19X207NRC3 (26A19X207NR).....95951224	BB-207L-IR	27A19X310NRC3 (27A19X310NR).....95951273	BB-310L-IR
27A19X307C3 (27A19X307).....95753604	BB-307-IR	28A19X410C3 (28A19X410).....95764163	BB-410-IR
27A19X30NRC3 (27A19X307NR).....95951240	BB-307L-IR	32248122.....32248122	BB-8122-IR
28A19X407C3 (28Z19X407).....95421186	BB-407-IR	32295701.....32295701	BB-5701-IR
NOTE: In above Main Bearing part numbers, the suffix L indicates with Lock Ring.			
OIL FILLER PLUG			
W75294T10 (W82).....30216055	PLUG-T10-IR	W75294T30.....30289003	PLUG-T30-IR
W75294T20.....30213094	PLUG-T20-IR		
PRESSURE SWITCH			
W75400T5.....37005907	SWP-T5-IR		
INTERCOOLER VENT VALVE			
30220362.....30220362	IVAL-0362-IR	32225799.....32225799	IVAL-5799-IR
OIL SEALS			
W99622T2.....37007614	OS-A-IR	W99622T6.....32204554	OS-10T-IR †
W99622T1 (W99622T40).....32204521	OS-234-IR †	W99622T7 (W99622T44).....32204596	OS-15T-IR †
W99622T3.....32204539	OS-242-IR †	X1220T16 (W99622T16).....	OS-554-IR
W99622T4 (W99622T42).....32204547	OS-253-IR †	97335624.....	OS-SS5-IR †
W99622T5 (207A11AN9688) 95225363	OS-7T-IR †		
†Viton Oil Seal with Bore Tite on OD. Oil seals without † are Buna			
INTERCOOLER TUBE ASSEMBLIES			
X1434T14 (X1434T14N).....32237315	IT-T14-IR	X1434T71 (X1434T71N).....32237299	IT-234-IR
X1434T16 (X1434T16N).....32024697	IT-T16-IR	32125262.....32125262	IT-242-IR
X1434T18 (X1434T18N).....32237323	IT-T18-IR	32164287.....32164287	IT-253-IR
X1434T20 (X1434T20N).....32237356	IT-T20-IR	32295453.....32295453	IT-2475-IR
X1434T34 (X1434T34N).....32042475	IT-T34-IR	32196925.....32196925	IT-6925-IR
X1434T39 (X1434T39N).....32237380	IT-T39-IR	32196933.....32196933	IT-6933-IR
X1434T42 (X1434T42N).....32237372	IT-T42-IR	32196941.....32196941	IT-6941-IR
X1434T46.....32243016	IT-T46-IR	32196958.....32196958	IT-6958-IR
X1434T47 (X1434T47N).....32042590	IT-T47-IR	32196966.....32196966	IT-6966-IR
X1434T48 (X1434T48N).....32042608	IT-T48-IR	32196974.....32196974	IT-6974-IR
X1434T49 (X1434T49N).....32042616	IT-T49-IR	32196982.....32196982	IT-6982-IR
X1434T50 (X1434T50N).....32042632	IT-T50-IR	32196990.....32196990	IT-6990-IR
X1434T51 (X1434T51N).....32042640	IT-T51-IR	32197006.....32197006	IT-7006-IR
X1434T58 (X1434T58N).....32237364	IT-T58-IR	32211682.....32211682	IT-1682-IR
		32211690.....32211690	IT-1690-IR
		32211708.....32211708	IT-1708-IR
INTERCOOLER TUBE NUTS and CONNECTORS			
70A10B5 (X1506-IN6).....95058723	TNUT-3/8-IR	71A10B11 (X1506-IC6).....95083143	TCON-3/8-IR
70A10B7 (X1506-IN8).....95108544	TNUT-1/2-IR	71A10B15 (X1506-IC8).....95083184	TCON-1/2-IR
		71A10B8 (X1506-IC5).....95082483	TCON-5/16-IR
		71A10B20 (X1506-IC12).....95083275	TCON-3/4-IR

See IR-Index for Pricing by Page Number and a Complete List by IR OEM Number

Please call for price and delivery of part numbers not listed



INDEPENDENT COMPONENTS CORP.

528 Hempstead Turnpike, West Hempstead, NY 11552 • Phone 516-481-5100 FAX 516-481-5550
www.iccparts.com sales@iccparts.com • Toll Free: Phone 877-ICC-ICC3 FAX 800-814-8883

INGERSOLL – RAND TYPE – 30

I.R. PART NUMBERS	I.C.C. PART NO.	I.R. PART NUMBERS	I.C.C. PART NO.
UNLOADER PARTS			
UNLOADER ASSEMBLIES COMPLETE			
W75297T10 (W21854T).....	30292023	UNLA-7TH-IR	
W75297T20.....	30293015	UNLA-15TH-IR	
W75297T40.....	30292007	UNLA-15TL-IR	
W75297T60.....	30291991	UNLA-20TH-IR	
W75297T70.....	30292031	UNLA-20TL-IR	
W75297T30.....	31117567	UNLA-25T2H-IR	
UNLOADER PARTS			
W75297T10B (W21854).....	37129830	UBO-7TH-IR	
W75297T10C (W21855).....	30211296	UBC-7TH-IR	
W75297T20C (W21466).....	37129905	UBC-15T-IR	
W75297T40B (W21464).....	37129947	UBO-15TL-IR	
W75297T20B (W21465).....	37129889	UBO-15TH-IR	
W75297T60B (W35359).....	37130044	UBO-20T-IR	
W75297T50B (W39698).....	37130010	UBO-25T-IR	
W75297T30B (W28879).....	37129921	UBO-25T2H-IR	
W99755.....	37114030	DP-15T-IR	
UNLOADER PISTONS and PLATES			
W21467.....	30284749	UPI-15T-IR	
W21858.....	30221279	UPI-7TH-IR	
W21468 (R71568).....	32016537	UPLL-15T-IR	
W21469 (R71597).....	32016578	UPLH-15T-IR	
W21852 (R71599).....	32016594	UPLH-7T2-IR	
W28878 (R71570).....	32016552	UPLH-25T2-IR	
UNLOADER SPRINGS			
W136434 (PP567).....	32012395	UNSP-1-IR	
PP568.....	30416853	UNSP-2-IR	
UNLOADER KITS and PARTS for Models 2540, 2545, 7100 & 3000			
32257065.....	32257065	UKIT-7100-IR	
32257081.....	32257081	UKIT-3000-IR	
32257073.....	32257073	UKIT-2540-IR	
32254740.....	32254740	US-4740-IR	
32256257 (32184129 replacement).....		UPS-6257-IR	
32256265 (32188658 replacement).....		UPS-6265-IR	
37144508.....	37144508	TCO-4508-IR	
32256356.....	32256356	TEO-6356-IR	
32255721.....	32255721	MBTO-5721-IR	
DIAPHRAGMS			
W11246.....	30282404	DPH-234-IR	
W11334.....	30296503	DPH-253-IR	
W24059.....	30909428	DPH-4059-IR	
92004720.....	92004720	DPH-4720-IR	
V-BELTS			
3A19B90.....	95100186	BELT-B90-IR	
3A19C90.....	95100541	BELT-0541-IR	
3A19C96.....	95100558	BELT-0558-IR	
3A19A85.....	95099560	BELT-A85-IR	
3A19C105.....	95100251	BELT-C105-IR	
PRESSURE GAUGES			
R63304T16.....	32013898	PG-3898-IR	
R63304T23.....	32013963	PG-T23-IR	
R63304T33.....	32127896	PG-T33-IR	
MANIFOLD CONNECTIONS and FLANGES			
W21455.....	30221121	MCON-15T-IR	
32160475.....	32160475	FLA-0475-IR	
32160491.....	32160491	CONN-0491-IR	
32160509.....	32160509	CONN-0509-IR	
32164519.....	32164519	CONN-4519-IR	
32180697.....	32180697	FLA-0697-IR	
OTHER PARTS			
W63628.....	37128261	FCB-15T-IR	
W75292T50 (H6314P1).....	31246572	FC-71T2-IR	
W75292T70.....	37128089	FC-15T-IR	
W99814T3.....	32002065	BUR-T3-IR	
W99814T25.....	37124740	BUR-T25-IR	
90A11C008.....	95417614	BRG-7614-IR	
217A10C11.....	95098265	ELB-8265-IR	
79A10B3.....	95007522	MBT-7522-IR	
75A10B12.....	95040143	TE-0143-IR	
75A10B10.....	95110441	TE-0441-IR	
75A10B8.....	95031860	TE-1860-IR	
109A2A10.....	95065439	SETS-109A10-IR	

Full money back Guarantee if not satisfied

We sell only to resale accounts – We do not sell to the end user

Independent Components Corp. Is an independent supplier of compressor replacement parts and is not affiliated with manufacturers mentioned in this catalog. The original manufacturer's product description and/or part number is given for reference only.



INDEPENDENT COMPONENTS CORP.

528 Hempstead Turnpike, West Hempstead, NY 11552 • Phone 516-481-5100 FAX 516-481-5550
www.iccparts.com sales@iccparts.com • Toll Free: Phone 877-ICC-ICC3 FAX 800-814-8883

INGERSOLL – RAND TYPE – 30

I.R. PART NUMBERS	I.C.C. PART NO.	I.R. PART NUMBERS	I.C.C. PART NO.
INTERCOOLER SAFETY VALVES and SAFETY VALVES			
X1396T28-60.....	72062151	X1396T28-325.....	32174286
X1396T28-65.....	37106226	X1396T19-400.....	37181286
X1396T28-80.....	72062185	X1396T19-700.....	32001414
X1396T28-100.....	30812093	X1396T19-800.....	31385511
X1396T28-110.....	30812101	X1396T19-1300.....	37179926
X1396T28-125.....	30812119	X1396T19-1400.....	32203267
X1396T28-150.....	37102845	X1396T30-3300.....	37102092
X1396T28-160.....	37106176	X1396T30-3800.....	72062250
X1396T28-165.....	37106432	X1396T2-110.....	30357867
X1396T28-175.....	72062037	X1396T29-50.....	31385719
X1396T28-200.....	31385693	X1396T42-125.....	72062334
X1396T28-250.....	72062078	X1396T63-125.....	37106366
X1396T28-260.....	37106184		

CHECK VALVES			
W75305T50.....	30289920	R71653T5.....	32162927
H36393T22 (H36393T20).....	32141558	R71653T7.....	32162943
H36393T30 (W75305T70).....	37148202	97331235.....	
H36393T60.....	37139474	32001141.....	32001141
R71653T3.....	32162901	32304966.....	32304966

CHECK VALVE DISCS & SPRINGS			
W11256.....	30220313	PP458.....	30673503
W21545.....	30221162		

HARDWARE			
35A2C1N.....	95311650	35A2C123.....	95102042
35A2C56 (35A21C56).....	95035176	35A2C219.....	95053567
35A2C71.....	95035259	35A2C227.....	95043790
35A2C111.....	95079612	87A2C106G.....	32059784
35A2C113.....	95043766	109A2A5.....	95065660
35A2D113.....	95035358	X1428T116X38 (25A13C5).....	95002762

O-RINGS			
20A11BM130.....	95008397	20A11EM026.....	95026167
20A11BM234.....	95024709	20A11EM029.....	95000204
20A11CM006.....	95210225	20A11EM031.....	95026183
20A11CM010 (X1363T5).....	95018404	20A11EM141.....	95022000
20A11CM113.....	95018065	20A11EM212 (20A11CM212).....	95018149

Other O-rings available, Please call for price

FLYWHEELS			
R8039.....	30212914	32177180.....	
R8172.....	30212906	32496432.....	
R8174.....	30212922		

See IR-Index for Pricing by Page Number and a Complete List by IR OEM Number

Please call for price and delivery of part numbers not listed

Remember! You risk nothing to check the quality of our products

Full money back Guarantee if not satisfied

We sell only to resale accounts – We do not sell to the end user



INDEPENDENT COMPONENTS CORP.

528 Hempstead Turnpike, West Hempstead, NY 11552 • Phone 516-481-5100 FAX 516-481-5550
www.iccparts.com sales@iccparts.com • Toll Free: Phone 877-ICC-ICC3 FAX 800-814-8883

INGERSOLL – RAND TYPE – 30

I.R. PART NUMBERS	I.C.C. PART NO.	I.R. PART NUMBERS	I.C.C. PART NO.
VALVE and HEAD GASKETS The following head gaskets are normally made from Flexible Graphite material. If you want them made from compressed non-asbestos (Green) material remove the "G" from the part number. Note that our kits are available with both types of gaskets, if you do not see it, please ask.			
W6870 (32232761).....	32246324	VPHH-253-G-IR	32172926.....32267502
W90937 (32232779).....	32246340	VPCH-253-G-IR	32172934.....32252801
W11317 (30280366).....	32267528	VPCL-253-G-IR	32172942.....32267510
W11316 (30280358).....	32267536	VPHL-253-G-IR	32172959.....32252827
			32228298.....32252819
W11340 (32232787).....	32246332	VPCH-242-G-IR	
W6870 (32232761).....	32246324	VPHH-242-G-IR	97330658.....
W6923 (30280515).....	32267544	VPCL-242-G-IR	54429600.....
W6921 (30279038).....	32267551	VPHL-242-G-IR	54571609.....
			54571617.....
32182834	32233850	VPCL-2540-G-IR	
32230161	32252777	VPHH-2540-G-IR	
32178824	32252785	VPCH-2540-G-IR	
32229809	32252793	VPSG-2540-G-IR	
32175663	32267494	VPHL-2540-G-IR	

HEAD BOLTS and WASHERS – For flexible graphite gaskets			
95104196	95104196	SCR-4196-IR	32246555.....32246555
35A2D115 (35A2C115) 32246548 (95103792)			32279408.....32060006
Grade 8 bolts for use in 242 with above		SCR-6548-IR	
35A2D117 (32246563).....	95103818		
Grade 8 bolts for use in 253 with above		SCR-6563-IR	

VALVE & HEAD GASKETS			
HEAD GASKETS (O-rings)			
32246878	32246878	VPCOH-2475-IR	
32246910	32246910	VPCOL-2420-IR	
32294076	32294076	VPCOL-2545-IR	
32294068	32294068	VPCOH-2545-IR	

VALVE and HEAD GASKETS made of flexible graphite type material			
32247926	32247926	VPHH-2475-IR	
32247934	32247934	VPHL-2420-IR	
32248189	32248189	VPHL-2475-IR	
32248197	32248197	VPCL-2475-IR	
32294043	32294043	VPHH-2545-IR	
32294050	32294050	VPHL-2545-IR	

VALVE and HEAD GASKETS made of compressed non-asbestos material			
W11298	30280341	VPHH-231-IR	
W11300	30278964	VPCH-231-IR	
W11477	30786164	VPHH-234-IR	
234 ser. no. 568000 & up	32144552	VPHH-4552-IR	
W11478	30280390	VPCH-234-IR	
234 ser. no. 568000 & up	32144545	VPCH-4545-IR	
VPHL-234-IR use		VPHH-253-IR	
W6869	30280499	VPCL-234-IR	
W21658	30294334	HGH-7T-IR	
W99841	37046463	HCH-7T-IR	

VALVE and HEAD GASKETS made of compressed non-asbestos material			
W21949	30294284	HGH-7T2-IR	
W21948	30294326	HGL-71T-IR	
R53493	37047156	HCL-71T-IR	
W21482	30294193	HGL-15T-IR	
W21483	30294508	HGH-15T-IR	
W99756	37007747	HCL-15T-IR	
W99832	37007754	HCH-15T-IR	
W34366	32004277	HGL-20T-IR	
W39658	30294318	HGH-20T-IR	
W39708	30294359	HGH-20T2-IR	
W34365	30294433	CTL-20T-IR	
W39656	30300164	CTH-20T-IR	
W39707	30294375	CTH-20T2-IR	
W28719 (W28719A)	30294300	HGH-25T2-IR	
R57258	37130432	HCH-25T2-IR	
W75335 (4A261)	30294425	HGH-5335-IR	
W75336 (4A211)	30294391	HGL-4A211-IR	
5A211 (H51 G5391)	30299168	HGL-64-IR	
W75342	30294177	HGH-64-IR	
32153835.....	32153835	HGL-3835-IR	
32153868.....	32153868	HGH-3868-IR	
32153843.....	32153843	CYLL-3843-IR	
32153876.....	32153876	CYLH-3876-IR	

Prices subject to change without notice

Kits may be available for other similar compressors. Please call for details.

Independent Components Corp. Is an independent supplier of compressor replacement parts and is not affiliated with manufacturers mentioned in this catalog. The original manufacturer's product description and/or part number is given for reference only.



INDEPENDENT COMPONENTS CORP.

528 Hempstead Turnpike, West Hempstead, NY 11552 • Phone 516-481-5100 FAX 516-481-5550
 www.iccparts.com sales@iccparts.com • Toll Free: Phone 877-ICC-ICC3 FAX 800-814-8883

INGERSOLL – RAND TYPE – 30

I.R. PART NUMBERS	I.C.C. PART NO.	I.R. PART NUMBERS	I.C.C. PART NO.
OTHER TYPE 30 GASKETS			
32188385.....	32188385	ORG-8385-IR	
R40620 (R40620T1).....	30299226	FEC-234-IR	
R40621.....	30439319	FEC-242-IR	
R40622.....	30439327	FEC-253-IR	
R8168.....	30439285	FEC-15T-IR	
R8282.....	30439269	FEC-10T-IR	
R8342.....	30439277	FEC-71T-IR	
W11319.....	30280531	REC-253-IR	
W11350.....	30294912	MC-235-IR	
W11351.....	30294920	MC-244-IR	
W11371.....	30294854	MC-255-IR	
W11730.....	30294987	REC-64-IR	
W21480.....	30294961	REC-15T-IR	
W21481.....	30294235	CB-15T-IR	
W21484.....	30294870	MC-15T-IR	
W21485.....	30294698	UBL-15T-IR	
W21486.....	30294680	UBH-15T-IR	
W21487.....	30294656	UC-15T-IR	
W21655.....	30295125	REC-1655-IR	
W21656.....	30290654	FEC-1656-IR	
W21657.....	30294847	CB-1657-IR	
W21958.....	30294771	MC-15V-IR	
W21659.....	30294821	MC-10T-IR	
W21783 (W21783A).....	30295174	REC-10T-IR	
W21856.....	30284251	UBH-7T-IR	
W21857.....	37129863	UCH-7T-IR	
W21859.....	30295059	REC-57T-IR	
W21860.....	30294979	FEC-57T-IR	
W21913.....	30295166	REC-71T-IR	
W28862.....	ORG-8862-IR	
W28880.....	30294631	UBH-25T2-IR	
W34367.....	30294664	UPL-20T-IR	
W39702.....	30294623	UPH-20T-IR	
W42683.....	30294714	UCH-20T-IR	
W42684.....	30294706	UCL-20T-IR	
W42775.....	30294417	HG-2775-IR	
W42776.....	30294383	GKT-2776-IR	
W42791.....	30280481	MC-20V-IR	
W42849.....	30290712	CB-20V-IR	
W60488.....	30294342	FL-0488-IR	
W6868.....	30295034	REC-234-IR	
W6925.....	30294995	REC-242-IR	
W73343 (4A216).....	30294896	FL-3343-IR	
W73344 (2A216).....	30294888	FL-2A216-IR	
W75330.....	30294227	CB-234-IR	
W75331 (W75331A).....	30289870	CB-242-IR	
W75332 (W75332A).....	30294201	CB-253-IR	
W75436.....	30295091	FEC-A-IR	
W75442.....	30289862	VPC-A-IR	
W75499.....	37006798	IH-6798-IR	
W75511.....	32221418	CF-5511-IR	
W110905.....	37135985	CB-10T3NL-IR	
W143544.....	32020471	VSG-0471-IR	
X1016T31.....	30345193	SFW-3/4-IR	
X1016T33.....	30345219	SW-20T-IR	
X1016T34.....	30345227	FW-3/8-IR	
X1016T35.....	30345235	SFW-1/2-IR	
X1016T36.....	30345243	SFW-5/8-IR	
X1014T8-6.....	31162050	PV-234-IR	
X1026T32 (78A11C2X0056X0106).....	95674750	BG-15T-IR	
3A216 (H51-5212).....	30439210	IH-64-IR	
3A704 (H51-G5236).....	30818033	VCG-3A704-IR	
32148827.....	32148827	CW-8827-IR	
32153801.....	32153801	MHD-3801-IR	
32153819.....	32153819	IDM-3819-IR	
32153827.....	32153827	MHI-3827-IR	
32153850.....	32153850	UCL-3850-IR	
32153884.....	32153884	UCH-3884-IR	
32153967.....	32153967	IIM-3967-IR	
32160558.....	32160558	FL-0558-IR	
32160566.....	32160566	FL-0566-IR	
32182826.....	32182826	UC-2540-IR	
32188377.....	32188377	MG-2540-IR	
32247850.....	32247850	ORG-7850-IR	
32247868.....	32247868	CB-2475-IR	
32247876.....	32247876	SHEC-2475-IR	
32247884.....	32247884	FEC-2475-IR	
32293623.....	32293623	CB-2340-IR	
32293672.....	32293672	REC-2340-IR	
32293680.....	32293680	FEC-2340-IR	
32294019.....	32294019	CB-2545-IR	
32294027.....	32294027	SHEC-2545-IR	
32294035.....	32294035	FEC-2545-IR	
37333546.....	CB-SS5-IR	
5A4.....	30439335	FEC-64-IR	
5A12A.....	FEC-554-IR	
5A15 (H51-G5395).....	30299184	CB-64-IR	
5A216A (H51-G5539).....	30439244	IL-64-IR	
5A704.....	VCG-704-IR	
5A704A.....	30222202	VCG-704A-IR	
78A11C2X0020X0030.....	95674651	CW-4651-IR	
78A11C2X0024X0034.....	95674677	CW-4677-IR	
97330666.....	CB-SS3-IR	
97331227.....	REC-SS3-IR	
97333843.....	REC-SS5-IR	
FILTER PADS			
W60506.....	30283139	PAD-1-IR	W21479..... 30296552 No Longer Available Stack of Pads replaced by 1 ELE-2-IR

See IR-Index for Pricing by Page Number and a Complete List by IR OEM Number



INDEPENDENT COMPONENTS CORP.

528 Hempstead Turnpike, West Hempstead, NY 11552 • Phone 516-481-5100 FAX 516-481-5550
www.iccparts.com sales@iccparts.com • Toll Free: Phone 877-ICC-ICC3 FAX 800-814-8883

INGERSOLL – RAND TYPE – 30 K Valves

I.R. PART NUMBERS	I.C.C. PART NO.	I.R. PART NUMBERS	I.C.C. PART NO.
K VALVE ASSEMBLIES with SEAT GASKET			
8K1N 30220453	VAL-8KS-IR	17K1 30220552	VAL-17KS-IR
8K2N 30279459	VAL-8KD-IR	17K2 30220560	VAL-17KD-IR
12K1 30220537	VAL-12KS-IR	22K1R (22K1) 30220479	VAL-22KS-IR
12K2 30220545	VAL-12KD-IR	22K2R (22K2) 30217947	VAL-22KD-IR
		28K1R (28K1) 30220487	VAL-28KS-IR
		28K2R (28K2) 30220503	VAL-28KD-IR
K VALVE DISCS			
8K3 30215792	DISC-8K-IR	28K3 30215784	DISC-28K-IR
8K3A 30215792	DISC-8KA-IR	36K3 30257778	DISC-36K-IR
12K3 30215776	DISC-12K-IR	43K3 30233753	DISC-43K-IR
17K3 30287940	DISC-17K-IR	48K3 30240527	DISC-48K-IR
22K3 30289060	DISC-22K-IR		
K VALVE SPRINGS - PAIRS			
Note we now sell K springs in pairs like I.R., most of the aftermarket sell per individual spring			
12K8 30221451	SPG-12KS-PR-IR	28K8 30221469	SPG-28KS-PR-IR
12K9 30233944	SPG-12KD-PR-IR	28K9 30221477	SPG-28KD-PR-IR
17K8 30375737	SPG-17KS-PR-IR	36K8 30375729	SPG-36KS-PR-IR
17K9 30221444	SPG-17KD-PR-IR	36K9 30299309	SPG-36KD-PR-IR
22K8 30221402	SPG-22KS-PR-IR	43K8 30375695	SPG-43KS-PR-IR
22K9 30181531	SPG-22KD-PR-IR	43K9 30375794	SPG-43KD-PR-IR
		48K8 30238174	SPG-48KS-PR-IR
		48K9 30238216	SPG-48KD-PR-IR
K VALVE SEAT and COVER GASKETS			
X1105T12 30425540	VSG-8K-IR	X1105T6 30425482	VSG-48K-IR
X1105T11 30425532	VSG-12K-IR	X1105T7 30425490	VSG-54K-IR
X1105T10 30425524	VSG-17K-IR	X1014T60 30550891	VCG-8K-IR
X1105T1 30425433	VSG-22K-IR	X1014T82 30550693	VCG-17K-IR
X1105T2 30425441	VSG-28K-IR	X1014T35-31 30547095	VCG-22K-IR
X1105T3 30425458	VSG-36K-IR	P5039A (H51-G3751) 30439228	VCG-28K-IR
X1105T5 30425474	VSG-43K-IR		
K VALVE HARDWARE			
8K11 30215792	NUT-8K-IR		
12K11 30215792	NUT-12K-IR		
17K11 30215792	NUT-17K-IR		
22K11 30215792	NUT-22K-IR		
28K11 30215792	NUT-28K-IR		

See IR-Index for Pricing by Page Number and a Complete List by IR OEM Number

Please call for price and delivery of part numbers not listed

Remember! You risk nothing to check the quality of our products

ROTARY SCREW AND VANE COMPRESSOR PARTS

See complete listing in ROTARY SCREW COMPRESSOR PARTS section

AIR-OIL SEPARATORS

See complete listing in FILTERS AIR-OIL SEPARATORS section.

AIR FILTERS OIL FILTERS and AIR FILTER ASSEMBLIES

See complete listing in FILTERS AIR-OIL SEPARATORS section.

INLINE FILTERS

See complete listing in COMPRESSOR OILS INLINE FILTERS section.

Independent Components Corp. Is an independent supplier of compressor replacement parts and is not affiliated with manufacturers mentioned in this catalog. The original manufacturer's product description and/or part number is given for reference only.



INDEPENDENT COMPONENTS CORP.

528 Hempstead Turnpike, West Hempstead, NY 11552 • Phone 516-481-5100 FAX 516-481-5550
www.iccparts.com sales@iccparts.com • Toll Free: Phone 877-ICC-ICC3 FAX 800-814-8883

INGERSOLL – RAND TYPE 40

I.R. PART NUMBERS	I.C.C. PART NO.	I.R. PART NUMBERS	I.C.C. PART NO.		
"CS" CHANNEL VALVE ASSEMBLIES with SEAT GASKET					
28CS1 (28CS1A).....	30405823	CV-28CSS-IR	40CS1 (40CS1A).....30386478	CV-40CSS-IR	
28CS2.....	30405815	CV-28CSD-IR	40CS1C.....	30437818	CV-40CSCS-IR
36CS1 (36CS1A).....	30405856	CV-36CSS-IR	40CS2.....	30405898	CV-40CSD-IR
36CS1C.....	30405674	CV-36CSCS-IR	40CS2C.....	30431159	CV-40CSCD-IR
36CS2.....	30386841	CV-36CSD-IR	43CS1 (43CS1A).....	30405203	CV-43CSS-IR
36CS2C.....	30431183	CV-36CSCD-IR	43CS2.....	30405864	CV-43CSD-IR
			48CS1 (48CS1A).....	30309736	CV-48CSS-IR
			48CS2.....	30309728	CV-48CSD-IR

I.R. PART NUMBERS	I.C.C. PART NO.	I.R. PART NUMBERS	I.C.C. PART NO.		
"CS" VALVE SEATS with GUIDES					
28CS3.....	30403349	VS-28CSS-IR	40CS4.....	30403331	VS-40CSD-IR
28CS4.....	30403380	VS-28CSD-IR	40CS4C.....	30367825	VS-40CSCD-IR
36CS3.....	30403406	VS-36CSS-IR	43CS3.....	30403372	VS-43CSS-IR
36CS3C.....	30258701	VS-36CSCS-IR	43CS4.....	30403315	VS-43CSD-IR
36CS4.....	30403356	VS-36CSD-IR	48CS3.....	30403307	VS-48CSS-IR
36CS4C.....	30258693	VS-36CSCD-IR	48CS4.....	30403422	VS-48CSD-IR
40CS3.....	30403323	VS-40CSS-IR			
40CS3C.....	30528640	VS-40CSCS-IR			

I.R. PART NUMBERS	I.C.C. PART NO.	I.R. PART NUMBERS	I.C.C. PART NO.		
"CS" VALVE STOP PLATES					
28CS5.....	30407969	VSP-28CSS-IR	43CS5.....		VSP-43CSS-IR
28CS6.....	30407977	VSP-28CSD-IR	43CS6.....	30502785	VSP-43CSD-IR
36CS5.....	30369425	VSP-36CSS-IR	48CS5.....	30369441	VSP-48CSS-IR
36CS6.....	30369433	VSP-36CSD-IR	48CS6.....	30364368	VSP-48CSD-IR
40CS5.....	30369417	VSP-40CSS-IR			
40CS6.....	30406748	VSP-40CSD-IR			

See Index section for a more extensive list of "CS" valve parts

I.R. PART NUMBERS	I.C.C. PART NO.	I.R. PART NUMBERS	I.C.C. PART NO.		
PISTON PIN BUSHING					
W13504.....	30307300	PPB-25H-T40-IR	W2202.....	30451462	PPB-40L-T40-IR
2S137 (W6384P1).....	30307185	PPB-25L-T40-IR			PPB-40H-T40-IR
W6384.....	30451421	PPB-H25L-T40-IR	W13222.....	37043072	PPB-H40L-T40-IR
W70823.....	30613418	PPB-H25H-T40-IR	P6085.....	30359483	PPB-H40H-T40-IR

I.R. PART NUMBERS	I.C.C. PART NO.	I.R. PART NUMBERS	I.C.C. PART NO.		
PISTON PIN					
2S136.....	30443816	PIN-25L-T40-IR	W1072.....	30258123	PIN-40H-T40-IR
W1071.....	35148907	PIN-25H-T40-IR	W1452.....	30443832	PIN-40L-T40-IR
2P136A.....	72055502	PIN-H25L-T40-IR	W249.....		PIN-H40H-T40-IR
W7430.....	30612105	PIN-H25H-T40-IR	4P136.....		PIN-H40L-T40-IR

I.R. PART NUMBERS	I.C.C. PART NO.	I.R. PART NUMBERS	I.C.C. PART NO.		
CONNECTING ROD					
H17988T.....	42316075	ROD-25L-T40-IR	H14903T.....	42315846	ROD-40L-T40-IR
H17988P1T.....	42316083	ROD-25H-T40-IR	H14903P1T.....	42315838	ROD-40H-T40-IR

I.R. PART NUMBERS	I.C.C. PART NO.	I.R. PART NUMBERS	I.C.C. PART NO.		
CYLINDER					
H37510.....	37047099	CYL-25L-T40-IR	H37512 (R2286).....	37046844	CYL-40L-T40-IR
H37511.....	37046323	CYL-25H-T40-IR	H37513 (R2283).....	30372874	CYL-40H-T40-IR

I.R. PART NUMBERS	I.C.C. PART NO.	I.R. PART NUMBERS	I.C.C. PART NO.		
FREE AIR UNLOADERS					
X1334T36CS.....	30333843	UNLA-36CS-IR	X1342T40CS.....	37148947	UNLA-40CSC-IR
X1342T36CS.....	31316623	UNLA-36CSC-IR	X1334T48CS.....	30333876	UNLA-48CS-IR
X1334T40CS.....	30333850	UNLA-40CS-IR			

See IR-Index for Pricing by Page Number and a Complete List by IR OEM Number

Please call for price and delivery of part numbers not listed



INDEPENDENT COMPONENTS CORP.

528 Hempstead Turnpike, West Hempstead, NY 11552 • Phone 516-481-5100 FAX 516-481-5550
www.iccparts.com sales@iccparts.com • Toll Free: Phone 877-ICC-ICC3 FAX 800-814-8883

INGERSOLL – RAND TYPE 40

I.R. PART NUMBERS	I.C.C. PART NO.	I.R. PART NUMBERS	I.C.C. PART NO.
UNLOADER SPRINGS			
PP100 (X1091PP100)	30603784	UNSP-100-IR	
PP391 (X1091PP391)	30417000	UNSP-391-IR	
PP438 (X1091PP438)	30571683	UNSP-438-IR	
		PP439 (X1091PP439)	30671663
		PP483 (X1091PP483)	30606826
		PP579 (PP392) (X1091PP579)	30576490
		UNSP-439-IR	
		UNSP-483-IR	
		UNSP-579-IR	

Unloader Piston Rings – TYPE 40

12A18CA131 (X1244T3).....37803210 PR-T3-IR

Unloader Pistons, Plungers, Valve Cages and Valve Crabs See Index

TYPE 40 TUNE UP KITS TUK's Contains channel and springs sets for all valves, unloader springs, unloader piston rings (LP unloader parts only - if the compressor has HP unloader piston, please order unloader piston rings and springs separately), complete gasket set, all piston ring kits, connecting rod bearings and oil seals. If valve guides are required, please order separately. Note all parts in these kits are available individually, please FAX or call for information.

TYPE 40 HEAD OVERHAUL KITS HOK's Contains channel and springs sets for all valves, unloader springs, unloader piston rings (LP unloader parts only - if the compressor has HP unloader piston, please order unloader piston rings and springs separately), valve seat gaskets, and valve cover gaskets, unloader cover gaskets and nut gaskets. If valve guides are required, please order separately.

Model	Cylinder Bore	STD. BEARINGS	.020 Undersize BEARINGS	HEAD OVERHAUL KITS
25	6 & 6 & 5	TUK-15-T40-IR TUK-25-T40-IR	TUK-25-T40U-IR	HOK-25-T40-IR VSHOK-25-T40-IR
H25	5-1/4 & 5-1/4 & 4	TUK-H25-T40-IR VSTUK-H25-T40-IR	TUK-H25-T40U-IR VSTUK-H25-T40U-IR	HOK-H25-T40-IR VSHOK-H25-T40-IR
L25	6 & 6 & 6	TUK-L25-T40-IR	TUK-L25-T40U-IR	HOK-L25-T40-IR
40	7-1/2 & 7-1/2 & 6-1/4	TUK-40-T40-IR	TUK-40-T40U-IR	HOK-40-T40-IR VSHOK-40-T40-IR
H40	7 & 7 & 5	TUK-H40-T40-IR VSTUK-H40-T40-IR	TUK-H40-T40U-IR VSTUK-H40-T40U-IR	HOK-H40-T40-IR VSHOK-H40-T40-IR
L40	7-1/2 & 7-1/2 & 7-1/2	TUK-L40-T40-IR	TUK-L40-T40U-IR	HOK-L40-T40-IR
50	6 & 6 & 5	TUK-50-T40-IR VSTUK-50-T40-IR	TUK-50-T40U-IR VSTUK-50-T40U-IR	HOK-50-T40-IR VSHOK-50-T40-IR
H50	5-1/4 & 5-1/4 & 4	TUK-H50-T40-IR	TUK-H50-T40U-IR	HOK-H50-T40-IR
L50	6 & 6 & 6	TUK-L50-T40-IR VSTUK-L50-T40-IR	TUK-L50-T40U-IR VSTUK-L50-T40U-IR	HOK-L50-T40-IR VSHOK-L50-T40-IR
50A	8 & 8 & 7	TUK-50A-T40-IR	TUK-50A-T40U-IR	HOK-50A-T40-IR
H50A	7-1/2 & 7-1/2 & 5	TUK-H50A-T40-IR	TUK-H50A-T40U-IR	HOK-H50A-T40-IR
L50A	8 & 8 & 8	TUK-L50A-T40-IR	TUK-L50A-T40U-IR	HOK-L50A-T40-IR
75	7-1/2 & 7-1/2 & 6-1/4	TUK-75-T40-IR	TUK-75-T40U-IR	HOK-75-T40-IR
H75	7 & 7 & 5	TUK-H75-T40-IR	TUK-H75-T40U-IR	HOK-H75-T40-IR
L75	7-1/2 & 7-1/2 & 7-1/2	TUK-L75-T40-IR VSTUK-L75-T40-IR	TUK-L75-T40U-IR VSTUK-L75-T40U-IR	HOK-L75-T40-IR VSHOK-L75-T40-IR
100	8 & 8 & 6-1/4			HOK-100-T40-IR
H100	7-1/2 & 7-1/2 & x 5	TUK-H100-T40-IR	TUK-H100-T40U-IR	HOK-H100-T40-IR
L100	8 & 8 & 8			HOK-L100-T40-IR

Kits may be available for other similar compressors. Please call for details.

See IR-Index for Pricing by Page Number and a Complete List by IR OEM Number

Please call for price and delivery of part numbers not listed

Remember! You risk nothing to check the quality of our products



INDEPENDENT COMPONENTS CORP.

528 Hempstead Turnpike, West Hempstead, NY 11552 • Phone 516-481-5100 FAX 516-481-5550
www.iccparts.com sales@iccparts.com • Toll Free: Phone 877-ICC-ICC3 FAX 800-814-8883

INGERSOLL – RAND TYPE 40

I.R. PART NUMBERS	I.C.C. PART NO.	I.R. PART NUMBERS	I.C.C. PART NO.	
IR Style Kits – TYPE 40				
39639422	39639422	KIT-9422-IR	39639612.....39639612	KIT-9612-IR
39639430	39639430	KIT-9430-IR	39639620.....39639620	KIT-9620-IR
39639448	39639448	KIT-9448-IR	39639638 (39639729).....39639638	KIT-9638-IR
39639455	39639455	KIT-9455-IR	39639646.....39639646	KIT-9646-IR
39639463	39639463	KIT-9463-IR	39639653.....39639653	KIT-9653-IR
39639471	39639471	KIT-9471-IR	39639661.....39639661	KIT-9661-IR
39639489	39639489	KIT-9489-IR	39639679.....39639679	KIT-9679-IR
39639497	39639497	KIT-9497-IR	39639687.....39639687	KIT-9687-IR
39639505	39639505	KIT-9505-IR	39639695.....39639695	KIT-9695-IR
39639513	39639513	KIT-9513-IR	39639703.....39639703	KIT-9703-IR
39639521	39639521	KIT-9521-IR	39639711.....39639711	KIT-9711-IR
39639539	39639539	KIT-9539-IR	39639737.....39639737	KIT-9737-IR
39639547	39639547	KIT-9547-IR	39639745.....39639745	KIT-9745-IR
39639554	39639554	KIT-9554-IR	W111569.....37046364	KIT-1569-IR
39639562	39639562	KIT-9562-IR	W111571.....37047115	KIT-1571-IR
39639570	39639570	KIT-9570-IR	W111572.....37047123	KIT-1572-IR
39639596	39639596	KIT-9596-IR	W111573.....37100047	KIT-1573-IR
39639604	39639604	KIT-9604-IR		
PISTON RING KITS				
W99944	40011413	RK-1413-IR	W99955.....40011470	RK-1470-IR
W99945	40011421	RK-1421-IR	W99959.....40011488	RK-1488-IR
W99946	40011439	RK-1439-IR	W99961.....40011496	RK-1496-IR
W99948	40011447	RK-1447-IR	W99963.....40011512	RK-1512-IR
W99950	40011454	RK-1454-IR	W99964.....40011520	RK-1520-IR
W99951	40011462	RK-1462-IR	W99965.....40011538	RK-1538-IR
CONNECTING ROD BEARINGS (Price is for Two Halves for One Connecting Rod)				
Standard CRBs		.020 Undersized CRBs		
R26246.....	39156799	CRB-25-T40-IR	CRB-25-T40-U-IR	
R13030.....	39156781	CRB-40-T40-IR	CRB-40-T40-U-IR	
OIL SEAL – TYPE 40				
X1220T521.....		OS-15T40-OFW	207A11AN9547 (X1220T145) ..95225272	OS-25T40-OFW
207A11AN13553 (X1220T144)	39313960	OS-25T40-FW		
GASKET KITS – TYPE 40				
15S750.....	30819601	GK-15-T40-IR	H50S750.....37016912	GK-H50-T40-IR
25S750.....	30311328	GK-25-T40-IR	L50S750.....37017837	GK-L50-T40-IR
H25S750.....		GK-H25-T40-IR	75S750 (75S750H).....30819569	GK-75-T40-IR
L25S750.....		GK-L25-T40-IR	H75S750 (H75S750H).....30819569	GK-H75-T40-IR
40S750.....	30819585	GK-40-T40-IR	L75S750.....37017852	GK-L75-T40-IR
H40S750.....		GK-H40-T40-IR	100S750.....31464449	GK-100-T40-IR
L40S750.....		GK-L40-T40-IR	H100S750.....31171846	GK-H100-T40-IR
50S750.....	30633564	GK-50-T40-IR	L100S750.....37017746	GK-L100-T40-IR
		GK-50A-T40-IR	125S750.....30839153	GK-125-T40-IR

See IR-Index for Pricing by Page Number and a Complete List by IR OEM Number

Please call for price and delivery of part numbers not listed

Remember! You risk nothing to check the quality of our products



INDEPENDENT COMPONENTS CORP.

528 Hempstead Turnpike, West Hempstead, NY 11552 • Phone 516-481-5100 FAX 516-481-5550
www.iccparts.com sales@iccparts.com • Toll Free: Phone 877-ICC-ICC3 FAX 800-814-8883

INGERSOLL – RAND TYPE 40

I.R. PART NUMBERS	I.C.C. PART NO.	I.R. PART NUMBERS	I.C.C. PART NO.
"CS" CHANNEL & SPRING SETS (Other sets available – see Index)			
28CS33.....	30393656	VK-28CS-IR	43CS33.....30479240
36CS33.....	30391866	VK-36CS-IR	48CS33.....30479265
40CS33.....	30479190	VK-40CS-IR	48CS33A.....37073996
40CS33LP.....	30874598	VK-40CSLP-IR	54CS33.....30909469
			VK-43CS-IR
			VK-48CS-IR
			VK-48CSA-IR
			VK-54CS-IR

"CS" CHANNEL GUIDES (Other guides available – see Index)			
28CS16.....	30258461	GU-28CS-IR	43CS16.....30258495
36CS16 (36CS16A).....	30258487	GU-36CS-IR	48CS16.....30258503
40CS16.....	30258420	GU-40CS-IR	
			GU-43CS-IR
			GU-48CS-IR

"CS" VALVE GUIDE DOWEL PINS (Other pins available – see Index)			
26A13F61 (X1725T1).....	95656534	GP-28C-IR	26A13F105 (X1725T10).....95656435
			GP-36CS-IR

"CS" VALVE SEAT GASKETS TYPE 40 (Other gaskets available – see Index)			
X1105T2.....	30425441	VSG-28CS-IR	X1105T5.....30425474
X1105T3.....	30425458	VSG-36CS-IR	X1105T6.....30425482
X1105T4.....	30425466	VSG-40CS-IR	X1105T7.....30425490
			VSG-43CS-IR
			VSG-48CS-IR
			VSG-54CS-IR

"CS" VALVE COVER GASKETS (Other gaskets available – see Index)			
X1014T38-35.....	30547103	VCG-28CS-IR	X1014T56-52F.....37038007
X1014T47-44.....	30550842	VCG-36CS-IR	X1014T60-57.....37038064
X1014T47-44F.....	31373335	VCG-36CS-F-IR	X1014T60-57F.....31373376
X1014T51-48.....	30550859	VCG-40CS-IR	
X1014T51-48F.....	37037975	VCG-40CS-F-IR	X1014T65-61.....30550917
			X1014T65-61F.....37038106
			VCG-43CS-F-IR
			VCG-48CS-IR
			VCG-48CS-F-IR
			VCG-54CS-IR
			VCG-54CS-F-IR
X1014T56-52.....	30550883	VCG-43CS-IR	

HEAD GASKETS – TYPE 40			
G6221.....	30646004	HGH-15-IR	G6340.....30450670
G6220.....	30645865	HGL-15-IR	
			HGL-6340-IR
G6235.....	40528341	HGL-25-IR	G6272.....39445812
G6223.....	40528358	HGH-25-IR	G6274.....39445820
G6239.....	30645824	HGL-40-IR	G6283.....30817746
G6238.....	30645816	HGH-40-IR	G6281.....30645972
			HGL-100-IR
			HGL-100-IR
G6269.....	30817753	HGH-H50-IR	W40812.....30816847
G6270.....	30645907	HGL-50-IR	W40811 (W43845).....30907232
G6269.....	30645899	HGH-50-IR	W43846.....
G6339.....	30817639	HGH-6339-IR	W43845.....
			HGH-125-IR
			HGL-125-IR
			HGH-H125-IR
			HGL-H125-IR

We sell only to resale accounts – We do not sell to the end user

Prices subject to change without notice

Kits may be available for other similar compressors. Please call for details.

Independent Components Corp. Is an independent supplier of compressor replacement parts and is not affiliated with manufacturers mentioned in this catalog. The original manufacturer's product description and/or part number is given for reference only.



INDEPENDENT COMPONENTS CORP.

528 Hempstead Turnpike, West Hempstead, NY 11552 • Phone 516-481-5100 FAX 516-481-5550
www.iccparts.com sales@iccparts.com • Toll Free: Phone 877-ICC-ICC3 FAX 800-814-8883

INGERSOLL – RAND TYPE 40

I.R. PART NUMBERS	I.C.C. PART NO.	I.R. PART NUMBERS	I.C.C. PART NO.
OTHER TYPE 40 GASKETS			
G5621 (P58).....	FL-58-IR	G6276.....	30645949 CB-6276-IR
G5628.....40526246	IC-5628-IR	G6277.....	39445804 CB-6277-IR
G5629.....40528580	FL-5629-IR	G6280.....	30645964 CB-6280-IR
G5634.....37172368	CB-5634-IR	G6305.....	FL-6305-IR
G5635.....39445887	IC-5635-IR	G6338.....	30450662 FL-6338-IR
G5846.....39445796	REC-5846-IR	G6386.....	30620967 AC-6386-IR
G5847.....40528333	REC-5847-IR	G6418.....	39445853 GC-6418-IR
G5848 (H424-G4858).....	REC-5848-IR	G6462.....	GKT-6462-IR
G5849 (H424-G5849).....	RC-5849-IR	G6469 (W90678).....	RG-6469-IR
G5850.....30633473	SP-5850-IR	G6470.....	35237072 OSC-6470-IR
G5851.....30663991	SP-5851-IR	G6471.....	FL-6471-IR
G6056.....30311344	FL-6056-IR	G6476.....	30436117 FMG-6476-IR
G6067.....40528812	CB-6067-IR	R40824.....	37092566 SS-6144-IR
G6087.....40528788	OFB-6087-IR	W26133.....	35155712 UCL-26133-IR
G6237.....40528598	MC-6237-IR	W26006.....	35155530 UC-26006-IR
G6202.....	SC-6202-IR	W90616.....	37044070 LOG-0616-IR
G6203.....30817951	MC-6203-IR	W90904T6.....	IG-7028-IR
G6204.....	GC-6204-IR	X1131T2.....	30350854 NG-T2-IR
G6205.....30817944	GC-6205-IR	1P6.....	CB-1P6-IR
G6209.....	SS-6209-IR	P493 (2P493).....	IF-493-IR
G6210.....	BCG-6210-IR	1P454.....	40064677 IC-454-IR
G6215.....31489114	IB-6215-IR	TYPE 40 GLAND PACKING – per inch	
G6236.....39445838	MC-6236-IR	W90904T1 (T1 thru T6).....	37044203 GPAK-4203-IR
G6240.....37757143	MC-6240-IR		
G6241.....39445846	IC-6241-IR		

See IR-Index for Pricing by Page Number and a Complete List by IR OEM Number

Parts for other IR Air Power Compressors

Models

- LLE – All models
- ES / ER Lubricated Models
- ESH – Lubricated and Non Lubricated Models
- ESV – Lubricated and Non Lubricated Models
- XLE – Lubricated and Non Lubricated Models
- PHE – Lubricated and Non Lubricated Models

Parts for LLE Compressors

- “CS” Channel Valve Assemblies and Components
- “CS” Valve Seat with Seat Plates and Guides
- “CS” Valve Stop Plates
- “CS” Channel & Spring Sets
- “CS” Channel Guides
- “CS” Valve Guide Dowel Pins
- “CS” Seat Plates
- Piston Ring – Packing Ring – Gasket Kits
- Individual Gaskets
- Piston Rings
- Unloader Piston Rings
- Preventative Maintenance Valve Kits
- Piston Ring – Packing Ring – Gasket Kits
- Air End Gasket Kits
- Frame Gasket Kits
- Intercooler & Aftercooler Gasket Kits
- Regulator Repair Kits

Independent Components Corp. Is an independent supplier of compressor replacement parts and is not affiliated with manufacturers mentioned in this catalog. The original manufacturer’s product description and/or part number is given for reference only.



INDEPENDENT COMPONENTS CORP.

528 Hempstead Turnpike, West Hempstead, NY 11552 • Phone 516-481-5100 FAX 516-481-5550
www.iccparts.com sales@iccparts.com • Toll Free: Phone 877-ICC-ICC3 FAX 800-814-8883

INGERSOLL – RAND AIR POWER

ER / ES Compressors

- | | |
|---|---|
| <ul style="list-style-type: none"> ➤ “K” Valve Assemblies ➤ “CS” Channel Valve Assemblies ➤ “C” Channel Valve Assemblies ➤ “C” Channel & Spring Sets ➤ “C” Channel Guides ➤ “C” Valve Guide Dowel Pins ➤ Unloader Diaphragms | <ul style="list-style-type: none"> ➤ Individual Gaskets ➤ Piston Rings ➤ Unloader Piston Rings ➤ Preventative Maintenance Valve Kits ➤ Piston Ring – Rod Packing Gasket Replacement Kits |
|---|---|

XLE Compressors Lubricated and Non Lubricated Models

- | | |
|--|--|
| <ul style="list-style-type: none"> ➤ “A” Conventional Channel Valve Assemblies ➤ “A” Channel Valve Assemblies Components ➤ “A” Channel & Spring Sets ➤ “A” Channel Guides ➤ Free Air Unloaders ➤ Clearance Valves and Components ➤ Packing Cases and Ring & Spring Sets ➤ Cylinders ➤ Heads ➤ Pistons ➤ Rods ➤ Bushings – Main & Crankpin & Cross Head | <ul style="list-style-type: none"> ➤ Cross Heads and Components ➤ Individual Gaskets ➤ Oil Seals ➤ Piston Rings ➤ Unloader Piston Rings ➤ Individual Gaskets ➤ Preventative Maintenance Valve Kits ➤ Air End Gasket Replacement Kits ➤ Oil Pump Gasket Replacement Kits ➤ Frame End Gasket Replacement Kits ➤ Regulator Repair Kits |
|--|--|

ESH / ESV Compressors Lubricated and Non Lubricated Models

- | | |
|--|--|
| <ul style="list-style-type: none"> ➤ Port Plates ➤ “A” Rectangular Channel Valve Assemblies and Components ➤ “A” Conventional Channel Valve Assemblies and Components ➤ “A” Channel & Spring Sets, Guides ➤ Free Air Unloaders ➤ Packing Cases and Ring & Spring Sets ➤ Cylinders ➤ Heads ➤ Pistons | <ul style="list-style-type: none"> ➤ Rods ➤ Bushings – Main & Crankpin & Cross Head ➤ Cross Heads and Components ➤ Individual Gaskets ➤ Oil Seals ➤ Piston Rings ➤ Unloader Piston Rings ➤ Preventative Maintenance Valve Kits ➤ Piston Ring – Rod Packing Gasket Replacement Kits ➤ Parts for Lubricator Assemblies |
|--|--|

PHE Compressors Lubricated and Non Lubricated Models

- | | |
|---|--|
| <ul style="list-style-type: none"> ➤ Port Plates ➤ “A” Rectangular Channel Valve Assemblies and Components ➤ “A” Conventional Channel Valve Assemblies and Components ➤ “A” Channel & Spring Sets | <ul style="list-style-type: none"> ➤ “A” Channel Guides ➤ Free Air Unloaders ➤ Individual Gaskets ➤ Piston Rings |
|---|--|

INGERSOLL – RAND SCREW COMPRESSOR PARTS

I.R. PART NUMBERS	I.C.C. PART NO.	I.R. PART NUMBERS	I.C.C. PART NO.
35271212.....	FMG-1212-IR	39475645.....	MPCV-5645-IR
35271220.....	FMG-1220-IR	39124847.....	MPCV-4847-IR
35271238.....	FMG-1238-IR	39136999.....	MPCV-6999-IR
35271261.....	FMG-1261-IR	39442249.....	MPCV-2249-IR
39124862.....	FMG-4862-IR	39475637.....	MPCV-5637-IR
36755155.....	MPCV-5155-IR	39490693.....	MPCV-0693-IR
		39446968.....	MPVL-6968 IR

Many more IR Screw Compressor Parts (Valves, Valve Rebuild Kits, Gaskets etc.) are available See Rotary Screw section or contact us for more information



INDEPENDENT COMPONENTS CORP.

528 Hempstead Turnpike, West Hempstead, NY 11552 • Phone 516-481-5100 FAX 516-481-5550
www.iccparts.com sales@iccparts.com • Toll Free: Phone 877-ICC-ICC3 FAX 800-814-8883

QUINCY

QUINCY PART NUMBERS	I.C.C. PART NO.	QUINCY PART NUMBERS	I.C.C. PART NO.
VALVE ASSEMBLIES with SEAT GASKET			
4610X3 (4610X2) 4610X.....	2024311781	6949X (2002X).....	2024300252
1553X11 (1553X10) 1553X1 (1553X3)		6949XU (2002XU).....	2024300253
1919X.(2023910550) 2023910552	VAL-1S-B-Q §	6948X 1424AX.....	
6540X.....	2024300654	6948X2 (press fit).....	2024301052
8133 (6543X1).....	2024300751	3657.....	
7277X 2063X (1815X) 7277X1 ...	2024300454	7749X (7749X1).....	2024312052
7277XU (1815XU).....	2024300455	7749XU.....	2024312055
7277X1G (7277G) (nat. gas)..	2024300456	7749X1G (7749X1P) (nat. gas).	2024312054
7277GU (nat. gas).....	2024300457	7749GU (nat. gas).....	
7271X 7271X1 (6923X) 1819X1		7750X (7750X1).....	2024312152
7271X1G (7271G) (nat. gas).	2024301154	7750X1G (nat. gas).....	
7271X04 (new press fit).....	2024301153	1822X.....	
6671X (6671X1) 2015X.....	2024300953	1822XU.....	
6671XU (2015XU).....	2024300955	1825X.....	
6671X1G (6671G) (nat. gas)..	2024300956	2129X.....	2023910650
6671GU (nat. gas).....	2024300957	2137X.....	
7240X (for vacuum).....	2021106002	9319 (9319-1) 9055	2022136001
6670X (5812X).....		9318 (9318-1) 9067	2022135901
6670X01 (press fit).....	2024300853	160133-D01 (160033-D01)....	2023920501
6670X1G (nat. gas).....	2024300855	160133-SU1 (160033-SU1) ...	2023920506
		160134-D01 (160034-D01)....	2023920601
		160134-SU1 (160034-SU1) ...	2023920606
			VAL-5S-Q
			VAL-5SU-Q
			VAL-5D-Q
			VAL-5D-A-Q
			VAL-5D-B-Q
			VAL-6S-Q
			VAL-6SU-Q
			VAL-6S-G-Q
			VAL-6S-GU-Q
			VAL-6D-Q
			VAL-6D-G-Q
			VAL-7S-Q
			VAL-7SU-Q
			VAL-7D-Q
			VAL-8S-Q
			VAL-8D-Q
			VAL-9S-Q
			VAL-9D-Q
			VAL-33D-Q
			VAL-33SU-Q
			VAL-34D-Q
			VAL-34SU-Q

♦ See Spring note on page **QU-2**
§ See Disc note on page **QU-2**

VALVE SEATS & BUMPERS

4610.....	2024311701	7749.....	2024312001	VS-6S-Q
1549-002 (1549).....	2024300301	7751.....	2024301201	VB-6S-Q
1553 (1919).....	2023910500	7750.....	2024312101	VS-6D-Q
3010-002 (3010).....	2024300501	7752.....	2024301301	VB-6D-Q
6541.....	2023911000	1822.....		VS-7S-Q
6540.....		1821.....		VB-7S-Q
6544.....	2023911100	1825.....		VS-7D-Q
6543.....		1826.....		VB-7D-Q
1815.....	2024311301	2129.....	2023910600	VS-8S-Q
7277.....	2024300401	2137-001 (2137)	2023910700	VS-8D-Q
1819.....		2133.....	2023922200	VB-8D-Q
1819-002 (press fit).....	2024311401	2136.....	2023922300	VG-8D-Q
7271.....		9225.....	2023911300	VS-9S-Q
7271-004 (new press fit).....	2024301102	9226.....		VB-9S-Q
2015.....	2024311601	9231 (9384).....	2023911400	VS-9D-Q
6671.....	2024300901	9230.....		VB-9D-Q
5812.....		1950.....	2023905300	VB-R15-Q
5812-001 (press fit).....	2024311801	7674.....	2024311901	VS-R15-Q
6670.....		160133-D02 (160033-D02)....		VS-33D-Q
6670-001 (press fit).....	2024300801	160133-D03 (160033-D03)....		VB-33D-Q
2002.....	2024311501	160133-S02 (160033-S02)....		VS-33S-Q
6949.....	2024300201	160133-S03 (160033-S03)....		VB-33S-Q
1424A.....		160134-D02 (160034-D02)....		VS-34D-Q
1424A-002 (press fit).....		160134-D03 (160034-D03)....		VB-34D-Q
6948.....		160134-S02 (160034-S02)....		VS-34S-Q
6948-002 (press fit).....	2024301001	160134-S03 (160034-S03)....		VB-34S-Q
1893.....				
				♦ See Spring note on page QU-2
				§ See Disc note on page QU-2



INDEPENDENT COMPONENTS CORP.

528 Hempstead Turnpike, West Hempstead, NY 11552 • Phone 516-481-5100 FAX 516-481-5550
www.iccparts.com sales@iccparts.com • Toll Free: Phone 877-ICC-ICC3 FAX 800-814-8883

QUINCY

QUINCY PART NUMBERS	I.C.C. PART NO.	QUINCY PART NUMBERS	I.C.C. PART NO.
------------------------	--------------------	------------------------	--------------------

VALVE SETS VSET's If you need a **VSET**, please order the appropriate **VSHOK** (pages 12-14). This will give the equivalent of a **VSET**, plus the Gaskets and Diaphragms needed for the Head. Due to the many combinations of Quincy Valves used in different models and records of change, we have not put together separate **VSETS**.

VALVE PLATES & ASSEMBLIES

110939-1 (revised)	VP-9391-Q	112713 (112713M15).....	2022124403	VPA-2713-Q
110939-2	VP-9392-Q	112714	2022124501	VPA-2714-Q
110939-3	VP-9393-Q	113047	2022125301	VPA-3047-Q
		113047 001	2022125302	VPA-30471-Q
110939X1 (revised)	VPA-9391-Q	113946X (2024403751)	2024403750	
110939X2	2023908952 VPA-9392-Q	114096A002 (114096).....	2022127201	VPA-40962-Q
110939X3	2023908953 VPA-9393-Q	114419-001	2022128101	VPA-44191-Q
111536-5X	2024403355 VPA-5365-Q	116162X	2024403851	VPA-6162-Q
111226X2 (111226X2M) 112226-2M		116163X	2024403951	VPA-6163-Q
.....	2024403152 VPA-2262-Q			
111227X2	2024403252 VPA-2272-Q	7673		PLT-R15-Q
112588X	2024403450 VPA-2588-Q	7673X		VPA-R15-Q

VALVE SPRINGS & FINGERS

1202	2025045900 SPG-1-Q	9378		SPG-14-Q
1368	2025046100 SPG-2-Q	110370	2025045200	SPG-16-Q
1850	2025046900 SPG-3-Q	1778	2025046600	SPG-17-Q
2088	2025047400 SPG-4-Q	2037	2025047300	SPG-18-Q
6909	2025048900 SPG-7-Q	1783	2025046800	SPG-19-Q
7270 (1847) (Old Dis. Current Suc.)	2025049700 SPG-8-Q	7238	2025049600	SPG-20-Q
7270-2 (New Disch. 11/03)	2025049800 SPG-8D-Q ♦	7747	2025049900	SPG-21-Q
7270 (Oldest Style)	SPG-15-Q	160033-S05	2023911752	SPG-33-Q
1780	2025046700 SPG-9-Q	160034-D05	2023911850	SPG-34D-Q
2132	SPG-10-Q	160034-S05	2023911852	SPG-34S-Q
6542	2025048400 SPG-11-Q	110913-001	2023913201	FIN-09131-Q
8123 (6523)	2025050200 SPG-12-Q	111516	2023914200	FIN-1516-Q
9216	2025026900 SPG-13-Q	111517	2023914300	FIN-1517-Q

♦ Note: Valve Spring 7270 (**SPG-8-Q**) is the current style spring for Suction Valves, non-Press Fit and early Press Fit Discharge valves. In November 2003 Quincy redesigned the 7271X series Discharge Valve to use a longer spring 7270-2 (**SPG-8D-Q**). Kits listed in this catalog **now** contain both the **SPG-8-Q** and the New spring (7270-2) **SPG-8D-Q** for Discharge Valves and the **SPG-8-Q** for Suction Valves. We also stock the pre 1990's version of the 7270 which we call **SPG-15-Q**

VALVE DISCS

1552 (1552-001)	2023905600 DISC-1-Q	9218		DISC-7-Q
1552-002	2023905700 DISC-1B-Q §	7753 (2258)	2023907300	DISC-8-Q
1846	2023906300 DISC-2-Q	7722	2023907200	DISC-9-Q
1875	2023906500 DISC-3-Q	1779	2023905900	DISC-10-Q
2036	2023906600 DISC-4-Q	1784	2023906100	DISC-11-Q
2087	2023906800 DISC-5-Q	160033-S04	2023911751	DISC-33-Q
1194 (6559)	2023905400 DISC-6-Q	160034-S04	2023911851	DISC-34-Q
		9217	2025027000	PLT-7-Q
		160033-S06	2023911753	PLT-33-Q

§ Note: Thicker Disc introduced in 2008 we are **now** using this new Disc in all Valves and Kits.

VALVE RETAINING NUTS AND SCREWS

1878	SCR-1878-Q	6548	2024804500	SCR-6548-Q
1879	SCR-1879-Q	7480	0144324242	SCR-7480-Q
2623	2024802800 NUT-2623-Q	114545-R15	2024801700	BOLT-5R15-Q
3008	2024804000 SCR-3008-Q	124369-R02	0263310441	NUT-R02-Q
5916	0190324116 SCR-5916-Q	123478-M15	0144332800	SCR-8M15-Q
5390	SETS-5390-Q	124571-R15	0144324156	SCR-R15-Q
5749	SETS-5749-Q	128266 (6953)		SCR-8266-Q



INDEPENDENT COMPONENTS CORP.

528 Hempstead Turnpike, West Hempstead, NY 11552 • Phone 516-481-5100 FAX 516-481-5550
www.iccparts.com sales@iccparts.com • Toll Free: Phone 877-ICC-ICC3 FAX 800-814-8883

QUINCY

QUINCY PART NUMBERS	I.C.C. PART NO.	QUINCY PART NUMBERS	I.C.C. PART NO.
VALVE SEAT GASKETS			
1554 Aluminum 2024706100	VSG-1-Q	1356A..... Aluminum.....	VSG-5A-Q
1554C..... Copper.....	VSG-1C-Q	2134 Copper 2024710300	VSG-6-Q
1848 Copper 2024708600	VSG-2-Q	2134A..... Aluminum.....	VSG-6A-Q
1848-001 Aluminum 2024708700	VSG-2A-Q	2130 Copper 2024710200	VSG-7-Q
1876 Copper.....	VSG-3-Q	2130A..... Aluminum.....	VSG-7A-Q
1876A..... Aluminum.....	VSG-3A-Q	9046 Copper 2024718500	VSG-8-Q
2024 Copper 2024709600	VSG-4-Q	160035-001..... Copper.....	VSG-3501-Q
2024-001 Aluminum 2024709700	VSG-4A-Q	160035-002..... Copper.....	VSG-3502-Q
1356 Copper 2024705900	VSG-5-Q		
VALVE COVER GASKETS			
1556 Aluminum 2024706200	VCG-1-Q	2028	VCG-7-Q
1556C..... Copper.....	VCG-1C-Q	2347 2024710800	VCG-8-Q
160040	VCG-0040-Q	2348 2024710900	VCG-9-Q
1852 2024708800	VCG-2-Q	5298	VCG-10-Q
5854	VCG-3-Q	6562 2024715900	VCG-11-Q
6682 2024716700	VCG-4-Q	1877 Copper 2024709000	VCG-12-Q
7398 2024717300	VCG-5-Q	1877A..... Aluminum.....	VCG-12A-Q
2025 2024709800	VCG-6-Q		
VALVE STUDS SCREWS NUTS & COTTER PINS			
1849 (for VAL-3S & VAL-4S) . 2024801400	STD-3S-Q	1995	CP-1995-Q
5746 2023921000	SCR-3D-Q	9220	NUT-9220-Q
5731	SCR-4D-Q	9228	NUT-9D-Q
1429 2024801300	STD-5S-Q	9229	FW-9229-Q
3297	SCR-5D-Q	9227-1 (9227) 2024802300	SCR-9S-Q
(special for 6D valve).....	SCR-6D-Q	9377 2024802400	STD-9D-Q
1851	STD-7D-Q	160033-D07	VB-33D07-Q
1661	CP-7-Q	160033-S07	VB-33S07-Q
1298 2024811604	CP-1298-Q		
VALVE COVERS, FLANGES, RETAINERS & CAPS			
1555 2024317601	CAP-1555-Q	6908 2024309501	COV-6908-Q
2349 2024301401	FLG-2349-Q	6911 2024310901	RET-6911-Q
2350 2024301402	FLG-2350-Q	6927 2024309601	COV-6927-Q
5501 2024308201	FLG-5501-Q	6928 2024309701	COV-6928-Q
5725	FLG-5725-Q	6940 2024309901	COV-6940-Q
5726	FLG-5726-Q	6941 2024310001	COV-6941-Q
5858 2024308301	FLG-5858-Q	6942 2024310101	COV-6942-Q
5906 2024309101	COV-5906-Q	6955 2024308701	COV-6955-Q
6546 2024317801	CAP-6546-Q	7384 2024310201	COV-7384-Q
6666 2024309301	COV-6666-Q	7384-001 2024310202	COV-73841-Q
6668 2024310800	RET-6668-Q	7385 2024310301	COV-7385-Q
6673 2024309401	COV-6673-Q		

NEW – RODS for QUINCY 325, 350, 5120 & others

RODS with Standard Insert Bearings		RODS with NO Insert Bearings (for kits with Insert Bearings)	
(For Undersize insert "U" for .010 or "W" for .020 under before the Q)			
6442X (1829AX) 2826X 2024410150	ROD-325L-Q	40139 (6442C) 6442.....	ROD-325L-NI-Q
6442HPX (1829AHPX) 6442AHPX . 2024410151	ROD-325H-Q	40201 (6442C-HP) 6442HP	ROD-325H-NI-Q
for both LP & HP to ROC 11-21 only LP 22+			
6655X (1261X) 1261AX (2818X).. 2021105851	ROD-350L-Q	40081 (110802R) 110803 (6655) 6655C	ROD-350L-NI-Q
110804X (1261AHPX)..... 2024409061	ROD-350H-Q	110804 (110802).....	ROD-350H-NI-Q
Rod Bolts, Washers & Nuts			
3493 2024802100	RSCR-325-Q	1344 2024801900	RSCR-350-Q
1836 2024806100	FW-1836-Q	1319 2024805700	FW-1319-Q
124471-L08 (124371-L02) 3200..... 0292130418	LNUT-L08-Q	124471-M08 (124371-M02) 3201... 0292130419	LNUT-M08-Q



INDEPENDENT COMPONENTS CORP.

528 Hempstead Turnpike, West Hempstead, NY 11552 • Phone 516-481-5100 FAX 516-481-5550
www.iccparts.com sales@iccparts.com • Toll Free: Phone 877-ICC-ICC3 FAX 800-814-8883

QUINCY

QUINCY PART NUMBERS	I.C.C. PART NO.	QUINCY PART NUMBERS	I.C.C. PART NO.
PISTONS (Standard and .010 Oversize) with Pins, Retaining Rings & Piston Rings			
8643X (5152X) 8724 (114208X) 2024405352	PSTR-325L-Q		
8643X010 (5152OV10) 5152XOV10 2024405362	PSTR-325L-10-Q	8640X (5845XS1) 5845XS (5845X) . 2024405452	PSTR-350L-Q
115814X	PSTR-325L-A-Q	8640X010 (5845OV10) 5845XOV10 2024405462	PSTR-350L-10-Q
8643C (114208XC) ... 2024405354 2021102503	PSTR-325L-C-Q	8640C..... 2024405453	PSTR-350L-C-Q
112081-001	PSTR-325L-CA-Q		
1530X001 (1530G001) 1530X (8607)			
8723 (1530)..... 2024312551 2024312581	PSTR-325H-Q	5846X001 (8746) 5846X (5846X1) .. 2024314751	PSTR-350H-Q
1530X011	PSTR-325H-10-Q	5846X011 (5846OV10) 5846XOV10 2024314753	PSTR-350H-10-Q
115815X	PSTR-325H-A-Q	5846C001..... 2024314754	PSTR-350H-C-Q
1530C001..... 2024315253	PSTR-325H-C-Q	5846X002..... 2024314752	PSTR-350H-TF-Q
112082-001	PSTR-325H-CA-Q		

Order PST instead of PSTR for PISTONS with Pins, without RINGS.

PISTONS ONLY (Standard and .010 Oversize)			
8643 (5152)..... 2024405302	PT-325L-Q	8640 (5845)..... 2024405402	PT-350L-Q
8643-010	PT-325L-10-Q		PT-350L-10-Q
1530-001 (1530-002) 8121..... 2024315201	PT-325H-Q	5846-001	PT-350H-Q
1530-011	PT-325H-10-Q		PT-350H-10-Q

PISTON PIN BUSHINGS & NEEDLE BEARINGS			
1278SR.....	BUS-1278-Q	110799-010	NB-0799-Q
1345SR..... 2024203300	BUS-1345-Q	111112	NB-1112-Q
1646 (must bore out rod)	BUS-1646-Q	111534	NB-1534-Q
1647 (must bore out rod)	BUS-1647-Q	111880	NB-1880-Q
1835 (must bore out rod)	BUS-1835-Q		
6440SR..... 2024203000	BUS-6440-Q	112018	NB-2018-Q
6443SR..... 2024203100	BUS-6443-Q	112022	NB-2022-Q
6445SR..... 2024202900	BUS-6445-Q	112054	NB-2054-Q
5269SR.....	BUS-5269-Q	112059	NB-2059-Q
		112224	NB-2224-Q
		112234	NB-2234-Q
		112301	NB-2301-Q
		113330	NB-3330-Q

INSERT BEARINGS (Price is for Two Halves for One Connecting Rod.)

STANDARD		.010 UNDERSIZE (continued)	
2817-PR	use IN-6444-PR-Q	2827-28-US	IN-2827-28U-Q
2819-PR	IN-2819-PR-Q	6441-PRUS	IN-6441-PRU-Q
2824-PR (2824-25)..... 2024224150	IN-2824-PR-Q	6444-PRUS (6444-010PR)..... 2024224351	IN-6444-PRU-Q
6441-PR	use IN-2824-PR-Q	6656-PRUS (6656-010PR)..... 2024224451	IN-6656-PRU-Q
2827-28	IN-2827-28-Q		
6444-PR	2024224350 IN-6444-PR-Q	.020 UNDERSIZE	
6656-PR	2024224450 IN-6656-PR-Q	2819-020PR	IN-2819-U20-Q
		2824-020PR	IN-2824-U20-Q
		2824-25-020PR	use IN-2824-U20-Q
		6441-020PR	use IN-2824-U20-Q
.010 UNDERSIZE		2817-020PR	use IN-6444-U20-Q
2817-PRUS (2817-010PR).....	IN-2817-PRU-Q	2827-28-020PR	use IN-6444-U20-Q
2819-PRUS (2819-010PR).....	IN-2819-PRU-Q	6444-020PR	IN-6444-U20-Q
2824-25US	IN-2824-25U-Q	6656-020PR	IN-6656-U20-Q
2824-PRUS (2824-010PR)..... 2024224151	IN-2824-PRU-Q		

Please call for price and delivery of part numbers not listed

Full money back Guarantee if not satisfied

Independent Components Corp. is an independent supplier of compressor replacement parts and is not affiliated with manufacturers mentioned in this catalog. The original manufacturer's product description and/or part number is given for reference only.



INDEPENDENT COMPONENTS CORP.

528 Hempstead Turnpike, West Hempstead, NY 11552 • Phone 516-481-5100 FAX 516-481-5550
www.iccparts.com sales@iccparts.com • Toll Free: Phone 877-ICC-ICC3 FAX 800-814-8883

QUINCY

MAJOR OVERHAUL KITS *MOK's* with *Wearing Valve Parts*. These kits are based on Quincy Style Overhaul kits on page QU-15. To simplify ordering parts for single machine repair, Quincy style Overhaul Kits MOK's have been assembled which include Gasket Kit, shims, Piston Pins (lock rings if used), Piston Ring Kit, Piston Pin Bushings, Insert Bearings (if used in original rods), Main Bearings, valve discs, springs, o-rings, oil seal and unloader diaphragms if required, to recondition one compressor. Kits for non-Vacuum pumps include a Solberg style air filter. Kits marked with a Ø include an oil filter element.

VALVE SET MAJOR OVERHAUL KITS *VSMOK's* with *Complete Replacement Valves*.

VSMOK's have been assembled which include all parts in MOK's, with Complete Replacement Valves instead of Wearing Valve Parts. Unloader kickoff pins & springs are also included, if required. Center Screw (old style) Discharge Valves are used in VSMOK's. Press Fit Discharge Valves are available upon request at the same cost.

IMPORTANT PISTON RING NOTES: Quincy has used two styles of Piston Rings on these machines. Most of the old machines were sold with Taper Faced Compression Rings, the newer machines were sold with Side Sealed Compression Rings. Side Sealed rings do a better job, especially on a worn cylinder. We are now including them as standard in all kits (unless noted). However, Taper Face rings are easier to install, and we are offering them as an option on most of the kits. Insert the letter "T" before the "Q" in the MOK part number for Taper Face rings.

Kits marked with a "B" are available with Oversize Rings Taper Face- please call

UNDERSIZE BEARING KITS If you want any of the kits assembled with Undersize Bearings, insert the letter "U" before the "Q" in the MOK part number for .010 Undersize Bearings, or insert the letter "W" before the "Q" for .020 Undersize Bearings.

MODEL & RECORD OF CHANGE (ROC)

	I.C.C. PART NO.	VSMOK	.010 Und	.020 Und	Notes
Single Stage Compressors					
* A4 (ROC 3 TO 16)	MOK-A4-3-Q	N/A	U	W	B
* A4 (ROC 17 TO 19)	MOK-A4-17-Q	N/A	U	W	B
* A4 (20+)	MOK-A4-20-Q	N/A	U	W	B
* X2 (12 TO 16)	MOK-X2-12-Q	VSMOK-X2-12-Q			Original Rods do not use Inserts
* X2 (17 TO 101)	MOK-X2-17-Q	VSMOK-X2-17-Q			Original Rods do not use Inserts
* X2 (ROC 102+)	MOK-X2-102-Q	VSMOK-X2-102-Q			Original Rods do not use Inserts
* X3 (ROC 6+)	MOK-X3-6-Q	VSMOK-X3-6-Q			Original Rods do not use Inserts
* X8 (ROC 1-16)	MOK-X8-1-Q	VSMOK-X8-1-Q			Original Rods do not use Inserts TF
* X8 (ROC 17)	MOK-X8-1-Q	VSMOK-X8-17-Q			Original Rods do not use Inserts TF
* X8 (ROC 18+)	MOK-X8-18-Q	VSMOK-X8-18-Q			Original Rods do not use Inserts TF
* 106 (ROC 24+)	MOK-106-24-Q	VSMOK-106-24-Q	U	W	B
* 108 (ROC 1 TO 14† & 15 TO 24)	MOK-108-1-Q	VSMOK-108-1-Q	U	W	
* 108 (ROC 25 TO 28)	MOK-108-25-Q	VSMOK-108-25-Q	U	W	
* 108 (ROC 29)	MOK-108-29-Q	VSMOK-108-29-Q	U	W	
* 206 (ROC 1 TO 7)	MOK-206-1-Q	VSMOK-206-1-Q			Original Rods do not use Inserts SS
* 206 (ROC 8-10)	MOK-206-1-Q	VSMOK-206-8-Q			Original Rods do not use Inserts SS
* 206 (ROC 11+)	MOK-206-11-Q	VSMOK-206-11-Q			Original Rods do not use Inserts SS
* 210 (ROC 1 TO 5)	MOK-210-1-Q	VSMOK-210-1-Q			Original Rods do not use Inserts SS
* 210 (ROC 6 TO 9)	MOK-210-6-Q	VSMOK-210-6-Q			Original Rods do not use Inserts SS
* 210 (ROC 10+)	MOK-210-10-Q	VSMOK-210-10-Q			Original Rods do not use Inserts SS
* 212 (ROC 4 to 22)	MOK-212-4-Q	VSMOK-212-4-Q	U	W	B
* 212 (ROC 23 to 26)	MOK-212-23-Q	VSMOK-212-23-Q	U	W	B
* 212 (ROC 27+)	MOK-212-27-Q	VSMOK-212-27-Q	U	W	B
* 214 (ROC 8+)	MOK-214-8-Q	N/A			Original Rods do not use Inserts TF
* 216 (ROC 4 TO 32)	MOK-216-4-Q	VSMOK-216-1-Q	U	W	
* 216 (ROC 33 TO 42)	MOK-216-33-Q	VSMOK-216-33-Q	U	W	
* 216 (ROC 43+)	MOK-216-43-Q	VSMOK-216-43-Q	U	W	
* 230 (ROC 1 TO 3)	MOK-230-1-Q	VSMOK-230-1-Q	U	W	♦
* 230 (ROC 4 TO 19)	MOK-230-4-Q	VSMOK-230-4-Q	U	W	♦
* 230 (ROC 20 TO 26)	MOK-230-20-Q	VSMOK-230-20-Q	U	W	♦
* 230 (ROC 27 TO 34)	MOK-230-27-Q	VSMOK-230-27-Q	U	W	♦
* 230 (ROC 35+)	MOK-230-35-Q	VSMOK-230-35-Q	U	W	♦
* 240 (ROC 5 TO 12)	MOK-240-5-Q	VSMOK-240-5-Q	U	W	♦
* 240 (ROC 13+)	MOK-240-13-Q	VSMOK-240-13-Q	U	W	♦
* 244 (ROC 4 TO 33)	MOK-244-4-Q	VSMOK-244-4-Q	U	W	
* 244 (ROC 33+)	MOK-244-33-Q	VSMOK-244-33-Q	U	W	
* 255 (ROC 1 TO 4)	MOK-255-1-Q	VSMOK-255-1-Q	U	W	B
* 255 (ROC 5 TO 7)	MOK-255-5-Q	VSMOK-255-5-Q	U	W	B
* 255 (ROC 8+)	MOK-255-8-Q	VSMOK-255-8-Q	U	W	B
* 270 (ROC 100+)	MOK-270-100-Q	VSMOK-270-100-Q	U	W	Ø B ⊙
* 4110 (ROC 1+)	MOK-4110-1-Q	VSMOK-4110-1-Q	U	W	B
* 4125 (ROC 1-4)	MOK-4125-1-Q	VSMOK-4125-1-Q	U	W	B
* 4125 (ROC 5+)	MOK-4125-5-Q	VSMOK-4125-5-Q	U	W	B



INDEPENDENT COMPONENTS CORP.

528 Hempstead Turnpike, West Hempstead, NY 11552 • Phone 516-481-5100 FAX 516-481-5550
www.iccparts.com sales@iccparts.com • Toll Free: Phone 877-ICC-ICC3 FAX 800-814-8883

QUINCY

MAJOR OVERHAUL KITS MOK's (Continued). These kits are based on Quincy Style Overhaul kits on page QU-15.

See Page QU-5 for description of Major Overhaul Kits

MODEL & RECORD OF CHANGE (ROC)

	I.C.C. PART NO.	VSMOK	.010 Und	.020 Und	Notes
Two Stage Compressors					
* 308 (ROC 1 TO 19)	MOK-308-1-Q	VSMOK-308-1-Q	U	W	
* 308 (ROC 20+)	MOK-308-20-Q	VSMOK-308-20-Q	U	W	
* 310 (ROC 4 TO 19)	MOK-310-4-Q	VSMOK-310-4-Q	U	W	
* 310 (ROC 20 TO 26)	MOK-310-20-Q	VSMOK-310-20-Q	U	W	
* 310 (ROC 27 TO 28)	MOK-310-27-Q	VSMOK-310-27-Q	U	W	
* 310 (ROC 100)	MOK-310-100-Q	VSMOK-310-100-Q	U	W	
* 310 (ROC 101)	MOK-310-101-Q	VSMOK-310-101-Q	U	W	Ø
* 310 (ROC 102+)	MOK-310-102-Q	VSMOK-310-102-Q	U	W	Ø ?? 101-100
* 310 (ROC 107+)	MOK-310-107-Q	VSMOK-310-107-Q	U	W	Ø
* 320 (ROC 1+)	MOK-320-Q	NA	U	W	
* 325 (ROC 1 TO 5)	MOK-325-1-Q	VSMOK-325-1-Q	U	W	B ♦
* 325 (ROC 6 TO 8)	MOK-325-6-Q	VSMOK-325-6-Q	U	W	B ♦
* 325 (ROC 9 TO 14)	MOK-325-9-Q	VSMOK-325-9-Q	U	W	B ♦
* 325 (ROC 15 TO 16)	MOK-325-15-Q	VSMOK-325-15-Q	U	W	B ♦
* 325 (ROC 17+)	MOK-325-17-Q	VSMOK-325-17-Q	U	W	Ø B ♦
* 340 (ROC 4 TO 28)	MOK-340-4-Q	VSMOK-340-4-Q	U	W	
* 340 (ROC 29 TO 33)	MOK-340-29-Q	VSMOK-340-29-Q	U	W	♦
* 340 (ROC 34 TO 35)	MOK-340-34-Q	VSMOK-340-34-Q	U	W	♦
* 340 (ROC 36 TO 100)	MOK-340-36-Q	VSMOK-340-36-Q	U	W	♦
* 340 (ROC 101+)	MOK-340-101-Q	VSMOK-340-101-Q	U	W	Ø ♦ ⊕
* 350 (ROC 2 TO 3)	MOK-350-2-Q	VSMOK-350-2-Q	U	W	B ♦
* 350 (ROC 4 TO 10)	MOK-350-4-Q	VSMOK-350-4-Q	U	W	B ♦
* 350 (ROC 11 TO 12)	MOK-350-11-Q	VSMOK-350-11-Q	U	W	B ♦
* 350 (ROC 13 TO 19)	MOK-350-13-Q	VSMOK-350-13-Q	U	W	B
* 350 (ROC 20 TO 21)	MOK-350-20-Q	VSMOK-350-20-Q	U	W	B
* 350 (ROC 22-100)	MOK-350-22-Q	VSMOK-350-22-Q	U	W	B
* 350 (ROC 102 TO 103)	MOK-350-102-Q	VSMOK-350-102-Q	U	W	Ø B ⊕
* 350 (ROC 104 TO 108)	MOK-350-104-Q	VSMOK-350-104-Q	U	W	Ø B ⊕
* 350 (ROC 109 +)	MOK-350-109-Q	VSMOK-350-109-Q	U	W	Ø B ⊕
* 370 (ROC 1 TO 8)	MOK-370-1-Q	VSMOK-370-1-Q	U	W	B
* 370 (ROC 9 TO 10)	MOK-370-9-Q	VSMOK-370-9-Q	U	W	B
* 370 (ROC 11 TO 103)	MOK-370-11-Q	VSMOK-370-11-Q	U	W	B
* 370 (ROC 104 TO 106)	MOK-370-104-Q	VSMOK-370-104-Q	U	W	Ø B ⊕
* 370 (ROC 107+)	MOK-370-107-Q	VSMOK-370-107-Q	U	W	Ø B ⊕
* 390 (ROC 3 TO 10)	MOK-390-3-Q	VSMOK-390-3-Q	U	W	
* 390 (ROC 11 TO 14)	MOK-390-11-Q	VSMOK-390-11-Q	U	W	
* 390 (ROC 15 TO 16)	MOK-390-15-Q	VSMOK-390-11-Q	U	W	
* 390 (ROC 17 TO 21)	MOK-390-17-Q	VSMOK-390-17-Q	U	W	
* 390 (ROC 22 TO 23)	MOK-390-22-Q	VSMOK-390-22-Q	U	W	
* 390 (ROC 24-103)	MOK-390-24-Q	VSMOK-390-24-Q	U	W	
* 390 (ROC 104)	MOK-390-104-Q	VSMOK-390-104-Q	U	W	Ø
* 5105 (ROC 1 2)	MOK-5105-1-Q	VSMOK-5105-1-Q	U	W	B ♦
* 5120 (ROC 2 TO 8) 5105 (4-5)	MOK-5120-2-Q	VSMOK-5120-2-Q	U	W	B
* 5120 (ROC 9 TO 10) 5105 (11)	MOK-5120-9-Q	VSMOK-5120-9-Q	U	W	B
* 5120 (ROC 11) 5105 (14)	MOK-5120-11-Q	VSMOK-5120-11-Q	U	W	B
* 5120 (ROC 12 TO 99) 5105 (15)	MOK-5120-12-Q	VSMOK-5120-12-Q	U	W	B
* 5120 (ROC 100+)	MOK-5120-100-Q	VSMOK-5120-100-Q	U	W	Ø B
* W5120 (ROC 1+)	MOK-W5120-1-Q	VSMOK-W5120-1-Q	U	W	Ø B

† Early ROC's (Record of Change) of this compressor (before 1950) use Suction Valves that are now Obsolete, Quincy does not show replacement discs or springs. These Kits are made assuming that the valves have been replaced by the 4610X3 valve.

TF With Taper Faced Rings Only SS With Side Seal Rings Only ♦ See Spring note on page QU-2 Ø Includes Oil Filter
§§ With side seal rings, not for vacuum pumps with Teflon rings B also Available with .010 Oversize Piston Rings call for pricing

⊕ Includes 8831 Oil Seal used in some later versions of this compressor using adjustment plate 6930-X1.



INDEPENDENT COMPONENTS CORP.

528 Hempstead Turnpike, West Hempstead, NY 11552 • Phone 516-481-5100 FAX 516-481-5550
www.iccparts.com sales@iccparts.com • Toll Free: Phone 877-ICC-ICC3 FAX 800-814-8883

QUINCY

MAJOR OVERHAUL KITS MOK's (Continued). These kits are based on Quincy Style Overhaul kits on page QU-15.

See Page QU-5 for description of Major Overhaul Kits

MODEL & RECORD OF CHANGE (ROC)

Vacuum Pumps

R15 R17 (Vac. ROC 1+, Not V's)	MOK-R15V-1-Q	VSMOK-R15V-1-Q	U	W	\$\$
R15 R17 (Vac. ROC 1+, V's)	MOK-R15V-1V-Q	VSMOK-R15V-1V-Q	U	W	
230V (Vac. ROC 32 & UP, Not V's)	MOK-230V-32-Q	VSMOK-230V-32-Q	U	W	\$\$ ♦
2V0V (Vac. ROC 1V+ V's)	MOK-240V-1V-Q	VSMOK-240V-1V-Q	U	W	\$\$ ♦
240V (Vac. ROC 7 & Up, Not V's)	MOK-240V-7-Q	VSMOK-240V-7-Q	U	W	\$\$ ♦
244V (Vac. ROC 34 & Up, Not V's)	MOK-244V-34-Q	VSMOK-244V-34-Q	U	W	\$\$
244V (V All-244)	MOK-244V-1V-Q	VSMOK-244V-1V-Q	U	W	
255V (V All-255)	MOK-255V-1V-Q	VSMOK-255V-1V-Q	U	W	
270V (V All-270)	MOK-270V-1V-Q	VSMOK-270V-1V-Q	U	W	
4125 (V All 4110 & 4125)	MOK-4125V-1V-Q	VSMOK-4125V-1V-Q	U	W	

QT SLT PLT

SIZE

Models below do not use Insert Bearings

QTS1 (ROC 100+)	2-3/4 x 2	VSMOK-QTS1-100-Q
QTS3 (ROC 1+)	2-3/4 x 2	VSMOK-QTS3-1-Q
QTS5 (ROC 100+)	2-3/4 x 2	VSMOK-QTS5-100-Q

QT5 (ROC 100-104)	4 & 2-1/4 x 2.78	VSMOK-QT5-100-Q
QT5 (ROC 200-203)	4 & 2-1/4 x 2.78	VSMOK-QT5-200-Q
QT5 (ROC 204+)	4 & 2-1/4 x 2.78	VSMOK-QT5-204-Q

QT5QCB 4 & 2-1/4 x 2.78 **Use QT5 kits with same ROC**

QT7.5 (ROC 100-101)	MOK-QT7.5-100-Q	VSMOK-QT7.5-107-Q
QT7.5 (ROC 107)	4-1/2 & 2-1/2 x 3	VSMOK-QT7.5-200-Q
QT7.5 (ROC 200-203)	4-1/2 & 2-1/2 x 3	VSMOK-QT7QCB-200C-Q
QT7QCB (ROC 200+)	4-1/2 & 2-1/2 x 3	
QT10 (ROC 100+) 4 Cyl	4-1/2 & 2-1/2 x 3.5	VSMOK-QT10-100-Q
QT10 (ROC 100+) 2 Cyl	5 & 2-3/4 x 3.5	VSMOK-QT10-2-100-Q
QT10 (ROC 200+)	5 & 2-3/4 x 3.5	VSMOK-QT10-200-Q
QT10QCB (ROC 200+)	5 & 2-3/4 x 3.5	VSMOK-QT10QCB-200C-Q

SLT15 (ROC 100-103) 6 & 3-1/4 x 4	MOK-SLT15-100-Q	VSMOK-SLT15-100-Q	VSMOK retrofit with new style fingers.
SLT15 (ROC 104) 6 & 3-1/4 x 4	MOK-SLT15-104-Q	VSMOK-SLT15-104-Q	VSMOK retrofit with new style fingers.
SLT15 (ROC 105-106) 6 & 3-1/4 x 4	MOK-SLT15-105-Q	VSMOK-SLT15-105-Q	

QT15 (ROC 100) & QT10 4Cyl	4-1/2 & 2-1/2 x 3.5	VSMOK-QT15-100-Q
QT15 (ROC 101)	4-1/2 & 2-1/2 x 3.5	VSMOK-QT15-101-Q
QT15QCB (ROC 100C)	4-1/2 & 2-1/2 x 3.5	VSMOK-QT15QCB-100C-Q

QT25 (ROC 100-101)	6 & 3-1/4 x 4	VSMOK-QT25-100-Q	VSMOK retrofit with new style fingers.
QT25 (ROC 102+)	6 & 3-1/4 x 4	VSMOK-QT25-102-Q	
QT25QCB (ROC 100C+)	MOK-QT25QCB-100C-Q	VSMOK-QT25QCB-100C-Q	

Additional QRB, QCB & QRD Kits are now available! – contact us for details

Early ROC's (Record of Change) of this compressor (before 1950) use Suction Valves that are now Obsolete, Quincy does not show replacement discs or springs. These Kits are made assuming that the valves have been replaced by the 4610X3 valve.

TF With Taper Faced Rings Only SS With Side Seal Rings Only ♦ See Spring note on page QU-2 Ø Includes Oil Filter
\$\$ With side seal rings, not for vacuum pumps with Teflon rings B also Available with .010 Oversize Piston Rings call for pricing

KITS are available for older record of changes and kits for use with SYNTHETIC OIL and CLIMATE CONTROL.

Please call for price and delivery of part numbers not listed

Full money back Guarantee if not satisfied

Independent Components Corp. is an independent supplier of compressor replacement parts and is not affiliated with manufacturers mentioned in this catalog. The original manufacturer's product description and/or part number is given for reference only.



INDEPENDENT COMPONENTS CORP.

528 Hempstead Turnpike, West Hempstead, NY 11552 • Phone 516-481-5100 FAX 516-481-5550
www.iccparts.com sales@iccparts.com • Toll Free: Phone 877-ICC-ICC3 FAX 800-814-8883

QUINCY

MAJOR OVERHAUL KITS MOK's & TUNE UP KITS TUK's for Natural Gas Compressors.

See Page QU-5 for description of Major Overhaul Kits and page QU-9 for description of Tune Up Kits

MODEL & RECORD OF CHANGE (ROC)

	I.C.C. PART NO.	VS Kits	.010 Und	.020 Und	Notes
Natural Gas MOK's					
216NG (ROC 100)	MOK-216NG-100-Q	VSMOK-216NG-100-Q	U	W	♦
216NG (ROC 101)	MOK-216NG-101-Q	VSMOK-216NG-101-Q	U	W	♦
216NG (ROC 102+)	MOK-216NG-102-Q	VSMOK-216NG-102-Q	U	W	♦
240NG (ROC 100-104)	MOK-240NG-100-Q	VSMOK-240NG-100-Q	U	W	♦
240NG (ROC 105)	MOK-240NG-105-Q	VSMOK-240NG-105-Q	U	W	♦
240NG (ROC 106+)	MOK-240NG-106-Q	VSMOK-240NG-106-Q	U	W	♦
270NG (ROC 100-104)	MOK-270NG-100-Q	VSMOK-270NG-100-Q	U	W	B
270NG (ROC 105+)	MOK-270NG-105-Q	VSMOK-270NG-105-Q	U	W	B
325NG (ROC 100-105)	MOK-325NG-100-Q	VSMOK-325NG-100-Q	U	W	B ♦
325NG (ROC 106)	MOK-325NG-106-Q	VSMOK-325NG-106-Q	U	W	B ♦
325NG (ROC 107+)	MOK-325NG-107-Q	VSMOK-325NG-107-Q	U	W	B ♦
340NG (ROC 100-105)	MOK-340NG-100-Q	VSMOK-340NG-100-Q	U	W	♦
340NG (ROC 106)	MOK-340NG-106-Q	VSMOK-340NG-106-Q	U	W	♦
340NG (ROC 107+)	MOK-340NG-107-Q	VSMOK-340NG-107-Q	U	W	♦
350NG (ROC 100)	MOK-350NG-100-Q	VSMOK-350NG-100-Q	U	W	B
350NG (ROC 101-104)	MOK-350NG-101-Q	VSMOK-350NG-101-Q	U	W	B
350NG (ROC 105)	MOK-350NG-105-Q	VSMOK-350NG-105-Q	U	W	B
350NG (ROC 106+)	MOK-350NG-106-Q	VSMOK-350NG-106-Q	U	W	B
370NG (ROC 100-102)	MOK-370NG-100-Q	VSMOK-370NG-100-Q	U	W	B
370NG (ROC 103-104)	MOK-370NG-103-Q	VSMOK-370NG-103-Q	U	W	B
370NG (ROC 105)	MOK-370NG-105-Q	VSMOK-370NG-105-Q	U	W	B
370NG (ROC 106+)	MOK-370NG-106-Q	VSMOK-370NG-106-Q	U	W	B
4125NG (ROC 100 to 101)	MOK-4125NG-100-Q	VSMOK-4125NG-100-Q	U	W	
4125NG (ROC 102-103)	MOK-4125NG-102-Q	VSMOK-4125NG-102-Q	U	W	
4125NG (ROC 104)	MOK-4125NG-104-Q	VSMOK-4125NG-104-Q	U	W	
4125NG (ROC 105+)	MOK-4125NG-105-Q	VSMOK-4125NG-105-Q	U	W	
5120NG (ROC 100-102)	MOK-5120NG-100-Q	VSMOK-5120NG-100-Q	U	W	B
5120NG (ROC 103-104)	MOK-5120NG-103-Q	VSMOK-5120NG-103-Q	U	W	B
5120NG (ROC 105)	MOK-5120NG-105-Q	VSMOK-5120NG-105-Q	U	W	B
5120NG (ROC 106+)	MOK-5120NG-106-Q	VSMOK-5120NG-106-Q	U	W	B
Natural Gas Tune Up Kits					
216QRNG (ROC 100)	TUK-216NG-100-Q	VSTUK-216NG-100-Q	U	W	♦
216QRNG (ROC 101+)	TUK-216NG-101-Q	VSTUK-216NG-101-Q	U	W	♦
240QRNG (ROC 100+)	TUK-240NG-100-Q	VSTUK-240NG-100-Q	U	W	♦
270QRNG (ROC 100+)	TUK-270NG-100-Q	VSTUK-270NG-100-Q	U	W	B
325QRNG (ROC 100+)	TUK-325NG-100-Q	VSTUK-325NG-100-Q	U	W	B ♦
340QRNG (ROC 100-105)	TUK-340NG-100-Q	VSTUK-340NG-100-Q	U	W	♦
340QRNG (ROC 106+)	TUK-340NG-106-Q	VSTUK-340NG-106-Q	U	W	♦
350QRNG (ROC 100)	TUK-350NG-100-Q	VSTUK-350NG-100-Q	U	W	B
350QRNG (ROC 101+)	TUK-350NG-101-Q	VSTUK-350NG-101-Q	U	W	B
370QRNG (ROC 100+)	TUK-370NG-100-Q	VSTUK-370NG-100-Q	U	W	B
4125QRNG (ROC 100+)	TUK-4125NG-100-Q	VSTUK-4125NG-100-Q	U	W	
5120QRNG (ROC 100+)	TUK-5120NG-100-Q	VSTUK-5120NG 100-Q	U	W	B

Please call for price and delivery of part numbers not listed

Full money back Guarantee if not satisfied



INDEPENDENT COMPONENTS CORP.

528 Hempstead Turnpike, West Hempstead, NY 11552 • Phone 516-481-5100 FAX 516-481-5550
www.iccparts.com sales@iccparts.com • Toll Free: Phone 877-ICC-ICC3 FAX 800-814-8883

QUINCY

TUNE UP KITS **TUK's** with **Wearing Valve Parts. & Standard Size Piston Rings**

To simplify ordering parts for single machine repair, TUK's have been assembled which include Gasket Kit, shims, Piston Ring Kit, insert bearings (if used in original rods), valve discs, springs, o-rings, oil seal and unloader diaphragms if required, to recondition one compressor. Please order the correct filter element in the listing the AIR & OIL FILTER Section.

VALVE SET TUNE UP KITS **VSTUK's** with **Complete Replacement Valves.**

VSTUK's have been assembled which include all parts in TUK's, with Complete Replacement Valves (current style) instead of Wearing Valve Parts. Unloader kickoff pins & springs are also included, if required. Center Screw (old style) Discharge Valves are used in VSTUK's. Press Fit Discharge Valves are available upon request at the same cost.

IMPORTANT PISTON RING NOTES: Quincy has used two styles of Piston Rings on these machines. Most of the old machines were sold with Taper Faced Compression Rings, the newer machines were sold with Side Sealed Compression Rings. Side Sealed rings do a better job, especially on a worn cylinder. We are now including them as standard in all kits (unless noted). However, Taper Face rings are easier to install, and we are offering them as an option on most of the kits. Insert the letter "T" before the "Q" in the TUK part number for Taper Face rings.

Kits marked with a "B" are available with Oversize Rings Taper Face— please call

UNDERSIZE BEARING KITS If you want any of the kits assembled with Undersize Bearings, insert the letter "U" before the "Q" in the TUK part number for .010 Undersize Bearings, or insert the letter "W" before the "Q" for .020 Undersize Bearings.

MODEL & RECORD OF CHANGE (ROC)

	I.C.C. PART NO.	VSTUK	.010 Und	.020 Und	Notes
Single Stage Compressors					
A4 (ROC 1 TO 2)	TUK-A4-1-Q	N/A	Original Rods do not use Inserts		B
A4 (ROC 3 TO 19)	TUK-A4-3-Q	N/A	U	W	B
A4 (ROC 20 & UP)	TUK-A4-20-Q	N/A	U	W	
X2 (ROC 1 TO 16)	TUK-X2-1-Q	VSTUK-X2-1-Q	Original Rods do not use Inserts		
X2 (ROC 17 & UP)	TUK-X2-17-Q	VSTUK-X2-17-Q	Original Rods do not use Inserts		
X3 (ROC 1 TO 5)	TUK-X3-1-Q	VSTUK-X3-1-Q	Original Rods do not use Inserts		TF
X3 (ROC 6 & UP)	TUK-X3-6-Q	VSTUK-X3-6-Q	Original Rods do not use Inserts		
X8 (ROC 1 TO 17)	TUK-X8-1-Q	VSTUK-X8-1-Q	Original Rods do not use Inserts		TF
X8 (ROC 18 & UP)	TUK-X8-18-Q	VSTUK-X8-18-Q	Original Rods do not use Inserts		TF
106 (ROC 1 TO 3 †)	TUK-106-1-Q	VSTUK-106-1-Q	Original Rods do not use Inserts		B
106 (ROC 4 TO 14 † & 15 to 21)	TUK-106-4-Q	VSTUK-106-4-Q	U	W	B
106 (ROC 22 & UP)	TUK-106-22-Q	VSTUK-106-22-Q	U	W	B
108 (ROC 1 TO 3†)	TUK-108-1-Q	VSTUK-108-1-Q	Original Rods do not use Inserts		
108 (ROC 4 TO 14† & 15 to 24)	TUK-108-4-Q	VSTUK-108-4-Q	U	W	
108 (ROC 25 & UP)	TUK-108-25-Q	VSTUK-108-25-Q	U	W	
206 (ROC 1 TO 10)	TUK-206-1-Q	VSTUK-206-1-Q	Original Rods do not use Inserts		SS
206 (ROC 11 & UP)	TUK-206-11-Q	VSTUK-206-11-Q	Original Rods do not use Inserts		SS
208 (ROC 1 & UP)	TUK-208-1-Q	VSTUK-208-1-Q	Original Rods do not use Inserts		TF
210 (ROC 1 TO 9)	TUK-210-1-Q	VSTUK-210-1-Q	Original Rods do not use Inserts		SS
210 (ROC 10 & UP)	TUK-210-10-Q	VSTUK-210-10-Q	Original Rods do not use Inserts		SS
212 (ROC 1 TO 3†)	TUK-212-1-Q	VSTUK-212-1-Q	Original Rods do not use Inserts		B
212 (ROC 4 TO 16† & 17 to 22)	TUK-212-4-Q	VSTUK-212-4-Q	U	W	B
212 (ROC 23 TO 26)	TUK-212-23-Q	VSTUK-212-23-Q	U	W	B
212 (ROC 27 & UP)	TUK-212-27-Q	VSTUK-212-27-Q	U	W	B
214 (ROC 1 TO 7)	TUK-214-1-Q	N/A	Original Rods do not use Inserts		
214 (ROC 8 & UP)	TUK-214-8-Q	N/A	Original Rods do not use Inserts		
216 (ROC 1 TO 3†)	TUK-216-1-Q	VSTUK-216-1-Q	Original Rods do not use Inserts		
216 (ROC 4 TO 18† & 19 to 32)	TUK-216-4-Q	VSTUK-216-4-Q	U	W	
216 (ROC 33 & UP)	TUK-216-33-Q	VSTUK-216-33-Q	U	W	
216HS (ROC 7 & UP)	TUK-216HS-7-Q	VSTUK-216HS-7-Q	U	W	
230 (ROC 1 TO 2)	TUK-230-1-Q	VSTUK-230-1-Q	Original Rods do not use Inserts		♦
230 (ROC 3 TO 19)	TUK-230-3-Q	VSTUK-230-3-Q	U	W	♦
230 (ROC 20 TO 26)	TUK-230-20-Q	VSTUK-230-20-Q	U	W	♦
230 (ROC 27 & UP)	TUK-230-27-Q	VSTUK-230-27-Q	U	W	♦
240 (ROC 1 TO 4)	TUK-240-1-Q ♦	VSTUK-240-1-Q	U	W	♦
240 (ROC 5 & UP)	TUK-240-5-Q ♦	VSTUK-240-5-Q	U	W	♦
244 (ROC 1 TO 3)	TUK-244-1-Q	N/A	Original Rods do not use Inserts		
244 (ROC 4 TO 24)	TUK-244-4-Q	N/A	U	W	
244 (ROC 25 TO 32)	TUK-244-25-Q	VSTUK-244-25-Q	U	W	
244 (ROC 33 & UP)	TUK-244-33-Q	VSTUK-244-33-Q	U	W	



INDEPENDENT COMPONENTS CORP.

528 Hempstead Turnpike, West Hempstead, NY 11552 • Phone 516-481-5100 FAX 516-481-5550
www.iccparts.com sales@iccparts.com • Toll Free: Phone 877-ICC-ICC3 FAX 800-814-8883

QUINCY

TUNE UP KITS TUK's and VALVE SET TUNE UP KITS VSTUK's (continued)

MODEL & RECORD OF CHANGE (ROC)

	I.C.C. PART NO.	VSTUK	.010 Und	.020 Und	Notes
Single Stage Compressors (continued)					
255 (ROC 1 TO 4)	TUK-255-1-Q	VSTUK-255-1-Q	U	W	B
255 (ROC 5 & UP)	TUK-255-5-Q	VSTUK-255-5-Q	U	W	B
270 (ROC 100 & UP)	TUK-270-100-Q	VSTUK-270-100-Q	U	W	B ⊙
4088 (ROC 1 & UP)	TUK-4088-1-Q	VSTUK-4088-1-Q	U	W	
4110 (ROC 1 & UP)	TUK-4110-1-Q	VSTUK-4110-1-Q	U	W	B
4125 (ROC 1 & UP)	TUK-4125-1-Q	VSTUK-4125-1-Q	U	W	B
Two Stage Compressors					
306 (ROC 1 & UP)†	TUK-306-1-Q	VSTUK-306-1-Q	Original Rods do not use Inserts		L-TF
308 (ROC 1 TO 3)†	TUK-308-1-Q	VSTUK-308-1-Q	Original Rods do not use Inserts		H-TF
308 (ROC 4 TO 12† & 13 TO 19)	TUK-308-4-Q	VSTUK-308-4-Q	U	W	H-TF
308 (ROC 20 & UP)	TUK-308-20-Q	VSTUK-308-20-Q	U	W	H-TF
310 (ROC 1 TO 3)†	TUK-310-1-Q	VSTUK-310-1-Q	Original Rods do not use Inserts		
310 (ROC 4 TO 11† & 12 TO 19)	TUK-310-4-Q	VSTUK-310-4-Q	U	W	
310 (ROC 20 & UP)	TUK-310-20-Q	VSTUK-310-20-Q	U	W	
320 (ROC 1 & UP)	TUK-320-1-Q	VSTUK-320-1-Q	U	W	
325 (ROC 1 TO 5)	TUK-325-1-Q	VSTUK-325-1-Q	U	W	B ♦
325 (ROC 6 TO 8)	TUK-325-6-Q	VSTUK-325-6-Q	U	W	B ♦
325 (ROC 9 & UP)	TUK-325-9-Q	VSTUK-325-9-Q	U	W	B ♦
330 (ROC 1 TO 16)	TUK-330-1-Q	VSTUK-330-1-Q	U	W	B
330 (ROC 17 & UP)	TUK-330-17-Q	VSTUK-330-17-Q	U	W	B
340 (ROC 1 TO 3)	TUK-340-1-Q	VSTUK-340-1-Q	Original Rods do not use Inserts		
340 (ROC 4 TO 8)	TUK-340-4-Q	VSTUK-340-4-Q	U	W	
340 (ROC 9 TO 28)	TUK-340-4-Q	VSTUK-340-9-Q	U	W	
340 (ROC 29 TO 36)	TUK-340-29-Q	VSTUK-340-29-Q	U	W	♦
340 (ROC 100 & UP)	TUK-340-100-Q	VSTUK-340-100-Q	U	W	♦ ⊙
350 (ROC 1)	TUK-350-1-Q	VSTUK-350-2-Q	U	W	B ♦
350 (ROC 2 TO 10)	TUK-350-2-Q	VSTUK-350-2-Q	U	W	B ♦
350 (ROC 11 TO 12)	TUK-350-11-Q	VSTUK-350-11-Q	U	W	B ♦
350 (ROC 13 TO 100)	TUK-350-13-Q	VSTUK-350-13-Q	U	W	B
350 (ROC 102 & UP)	TUK-350-102-Q	VSTUK-350-102-Q	U	W	B ⊙
370 (ROC 1 TO 11)	TUK-370-1-Q	VSTUK-370-1-Q	U	W	B
370 (ROC 100 & UP)	TUK-370-100-Q	VSTUK-370-100-Q	U	W	B ⊙
390 (ROC 1 TO 10)	TUK-390-1-Q	VSTUK-390-1-Q	U	W	
390 (ROC 11 TO 14)	TUK-390-11-Q	VSTUK-390-11-Q	U	W	
390 (ROC 15 & UP)	TUK-390-15-Q	VSTUK-390-15-Q	U	W	
5080 (ROC 1 & UP)	TUK-5080-1-Q	VSTUK-5080-1-Q	U	W	♦
5105 (ROC 1 TO 3)	TUK-5105-1-Q	VSTUK-5105-1-Q	U	W	B ♦
5105 (ROC 4 & UP)	TUK-5105-4-Q	VSTUK-5105-4-Q	U	W	B
5120 (ROC 2 & UP)	TUK-5120-2-Q	VSTUK-5120-2-Q	U	W	B

Water Cooled Compressors

W340 (ROC 1 & UP)	TUK-W340-1-Q	VSTUK-W340-1-Q	U	W	
W350 (ROC 1 & UP)	TUK-W350-1-Q	VSTUK-W350-1-Q	U	W	B
W5105 (ROC 1 & UP)	TUK-W5105-1-Q	VSTUK-W5105-1-Q	U	W	B
W5120 (ROC 1 & UP)	TUK-W5120-1-Q	VSTUK-W5120-1-Q	U	W	B

Early ROC's (Record of Change) of this compressor (before 1950) use Suction Valves that are now Obsolete, Quincy does not show replacement discs or springs. These Kits are made assuming that the valves have been replaced by the 4610X3 valve.

♦ See Spring note on page QU-2

TF With Taper Faced Rings Only SS With Side Seal Rings Only H-TF HP rings TF only

§§ With side seal rings, not for vacuum pumps with Teflon rings L-TF LP rings TF only

⊙ Includes 8831 Oil Seal used in some later versions of this compressor using adjustment plate 6930-X1.



INDEPENDENT COMPONENTS CORP.

528 Hempstead Turnpike, West Hempstead, NY 11552 • Phone 516-481-5100 FAX 516-481-5550
www.iccparts.com sales@iccparts.com • Toll Free: Phone 877-ICC-ICC3 FAX 800-814-8883

QUINCY

TUNE UP KITS TUK's and VALVE SET TUNE UP KITS VSTUK's (continued)

MODEL & RECORD OF CHANGE (ROC)

	I.C.C. PART NO.	VSTUK	.010 Und	.020 Und	Notes
Vacuum Pumps					
R15 R17 (Vac. ROC 1 & UP, Not V's)	TUK-R15V-1-Q	VSTUK-R15V-1-Q	U	W	§§
R15 R17 (Vac. ROC 1 & UP, V's)	TUK-R15V-1V-Q	VSTUK-R15V-1V-Q	U	W	§§
230V (Vac. ROC 12 to 18, Not V's)	TUK-230V-12-Q	VSTUK-230V-12-Q	U	W	§§ ♦
230V (Vac. ROC 21 to 26, Not V's)	TUK-230V-21-Q	VSTUK-230V-21-Q	U	W	§§ ♦
230V (Vac. ROC 28 & UP, Not V's)	TUK-230V-28-Q	VSTUK-230V-28-Q	U	W	§§ ♦
240V (Vac. ROC 7 & Up, Not V's)	TUK-240V-7-Q	VSTUK-240V-7-Q	U	W	§§ ♦
240V (Vac. ROC 1V+)	TUK-240V-1V-Q	VSTUK-240V-1V-Q	U	W	♦
244V (Vac. ROC 12 to 24, Not V's)	TUK-244V-12-Q	VSTUK-244V-12-Q	U	W	§§
244V (Vac. ROC 28 to 32, Not V's)	TUK-244V-28-Q	VSTUK-244V-28-Q	U	W	§§
244V (Vac. ROC 34 & Up, Not V's)	TUK-244V-34-Q	VSTUK-244V-34-Q	U	W	§§
255V (Vac. ROC 1V+)	TUK-255V-1V-Q	VSTUK-255V-1V-Q	U	W	
270V (Vac. ROC 1V+)	TUK-270V-1V-Q	VSTUK-270V-1V-Q	U	W	
4110 & 4125V (Vac. ROC 1V+)	TUK-4125V-1V-Q	VSTUK-4125V-1V-Q	U	W	

MODEL & RECORD OF CHANGE (ROC)

	I.C.C. PART NO.	VSTUK	.010 Und	.020 Und	Notes
QT SLT PLT	SIZE				<i>Models below do not use Insert Bearings</i>
QTS5 (ROC 100+)		VSTUK-QTS5-100-Q			
QT5 (ROC 100-104)	4 & 2-1/4 x 2.78	VSTUK-QT5-100-Q			
QT5 (ROC 200+)	4 & 2-1/4 x 2.78	VSTUK-QT5-200-Q			
QT5QCB	4 & 2-1/4 x 2.78				Use QT5 kits with same ROC
QT7.5 (ROC 100) -4-1/2 & 2-1/2 x 3	TUK-QT7.5-100-Q				
QT7.5 (ROC 101) -4-1/2 & 2-1/2 x 3	TUK-QT7.5-101-Q				
QT7.5 (ROC 107)	4-1/2 & 2-1/2 x 3	VSTUK-QT7.5-107-Q			
QT7.5 (ROC 200-203)	4-1/2 & 2-1/2 x 3	VSTUK-QT7.5-200-Q			
PLT7.5 (ROC 100-101)		VSTUK-QT7.5-200-Q			
QT7QCB (ROC 200+)	4-1/2 & 2-1/2 x 3	VSTUK-QT7QCB-200C-Q			
QT10 (ROC 100-102?) 4 Cyl	4-1/2 & 2-1/2 x 3.5	VSTUK-QT10-100-Q			
QT10 (ROC 100-102?) 2 Cyl	5 & 2-3/4 x 3.5	VSTUK-QT10-2-100-Q			
QT10 (ROC 200+) 2 Cyl	5 & 2-3/4 x 3.5	VSTUK-QT10-200-Q			
QT10QCB (ROC 200+) 2 Cyl	5 & 2-3/4 x 3.5	VSTUK-QT10QCB-200C-Q			
SLT15 (ROC 100-104) 6 & 3-1/4 x 4	TUK-SLT15-100-Q	VSTUK-SLT15-100-Q			VSMOK retrofit with new style fingers.
SLT15 (ROC 105-106) 6 & 3-1/4 x 4	TUK-SLT15-105-Q	VSTUK-SLT15-105-Q			use TUK-SLT15-105-Q for retrofit VPA
QT15 (ROC 100) &-QT10 4 Cyl	4-1/2 & 2-1/2 x 3.5	VSTUK-QT15-100-Q			
QT15 (ROC 101)	4-1/2 & 2-1/2 x 3.5	VSTUK-QT15-101-Q			
QT15QCB (ROC 100C)	4-1/2 & 2-1/2 x 3.5	VSTUK-QT15QCB-100C-Q			
QT25 (ROC 100-101) 6 & 3-1/4 x 4	TUK-QT25-100-Q	VSTUK-QT25-100-Q			VSMOK retrofit with new style fingers.
QT25 (ROC 102) 6 & 3-1/4 x 4	TUK-QT25-102-Q	VSTUK-QT25-102-Q			use TUK-QT25-102-Q for retrofit VPA
QT25QCB (ROC 100C+)	TUK-QT25QCB-100C-Q	VSTUK-QT25QCB-100C-Q			

Additional QRB, QCB & QRD Kits are now available! – contact us for details

§§ With side seal rings, not for vacuum pumps with Teflon rings

Early ROC's (Record of Change) of this compressor (before 1950) use Suction Valves that are now Obsolete, Quincy does not show replacement discs or springs. These Kits are made assuming that the valves have been replaced by the-4610X3 valve.

♦ See Spring note on page QU-2

Please call for price and delivery of part numbers not listed



INDEPENDENT COMPONENTS CORP.

528 Hempstead Turnpike, West Hempstead, NY 11552 • Phone 516-481-5100 FAX 516-481-5550
www.iccparts.com sales@iccparts.com • Toll Free: Phone 877-ICC-ICC3 FAX 800-814-8883

QUINCY

HEAD OVERHAUL KITS *HOK's* with *Wearing Valve Parts*.

To simplify ordering parts for single machine valve and cylinder head repair, HEAD OVERHAUL KITS have been assembled with all necessary valve discs, valve springs, unloader diaphragms if required, valve seat gaskets, valve cover gaskets, and head gaskets to recondition valves for one compressor. Please order the correct filter element from the listing in the AIR & OIL FILTER Section.

VALVE SET HEAD OVERHAUL KITS *VSHOK's* with *Complete Replacement Valves*.

VSHOK's have been assembled which include all parts in HOK's, with Complete Replacement Valves (current style) instead of Wearing Valve Parts. Unloader kickoff pins & springs are also included, if required. Center Screw (old style) Discharge Valves are used in VSHOK's. Press Fit Discharge Valves are available upon request at the same cost.

MODEL & RECORD OF CHANGE	I.C.C. PART NO.	VSHOK	Notes
Single Stage Compressors			
A4 (ROC 1 to 19)	HOK-A4-1-Q	N/A	
A4 (ROC 20 & UP)	HOK-A4-20-Q	N/A	
X2 (ROC 1 TO 16)	HOK-X2-1-Q	VSHOK-X2-1-Q	
X2 (ROC 17 & UP)	HOK-X2-17-Q	VSHOK-X2-17-Q	
X3 (ROC 1 TO 5)	HOK-X3-1-Q	VSHOK-X3-1-Q	
X3 (ROC 6 & UP)	HOK-X3-6-Q	VSHOK-X3-6-Q	
X8 (ROC 1 TO 17)	HOK-X8-1-Q	VSHOK-X8-1-Q	
X8 (ROC 18 & UP)	HOK-X8-18-Q	VSHOK-X8-18-Q	
106 (ROC 1 TO 14† & 15 to 21)	HOK-106-1-Q	VSHOK-106-1-Q	
106 (ROC 22 & UP)	HOK-106-22-Q	VSHOK-106-22-Q	
108 (ROC 1 TO 14 † & 15 to 24)	HOK-108-1-Q	VSHOK-108-1-Q	
108 (ROC 25 & UP)	HOK-108-25-Q	VSHOK-108-25-Q	
206 (ROC 1 & UP)	HOK-206-1-Q	VSHOK-206-1-Q	
208 (ROC 1 & UP)	HOK-208-1-Q	VSHOK-208-1-Q	
210 (ROC 1 & UP)	HOK-210-1-Q	VSHOK-210-1-Q	
212 (ROC 1 TO 16† & 17 to 26)	HOK-212-1-Q	VSHOK-212-1-Q	
212 (ROC 27 & UP)	HOK-212-27-Q	VSHOK-212-27-Q	
214 (ROC 1 & UP)	HOK-214-1-Q	N/A	
216 (ROC 1 TO 18† & 19 to 32)	HOK-216-1-Q	VSHOK-216-1-Q	
216 (ROC 33 & UP)	HOK-216-33-Q	VSHOK-216-33-Q	
230 (ROC 1 TO 2)	HOK-230-1-Q	VSHOK-230-1-Q	♦
230 (ROC 3 TO 19)	HOK-230-3-Q	VSHOK-230-3-Q	♦
230 (ROC 20 TO 26)	HOK-230-20-Q	VSHOK-230-20-Q	♦
230 (ROC 27 & UP)	HOK-230-27-Q	VSHOK-230-27-Q	♦
240 (ROC 1 TO 4)	HOK-240-1-Q	VSHOK-240-1-Q	♦
240 (ROC 5 & UP)	HOK-240-5-Q	VSHOK-240-5-Q	♦
244 (ROC 1 TO 24)	HOK-244-1-Q	N/A	
244 (ROC 25 TO 32)	HOK-244-1-Q	VSHOK-244-25-Q	
244 (ROC 33 & UP)	HOK-244-33-Q	VSHOK-244-33-Q	
255 (ROC 1 TO 4)	HOK-255-1-Q	VSHOK-255-1-Q	
255 (ROC 5 & UP)	HOK-255-5-Q	VSHOK-255-5-Q	
270 (ROC 100 & UP)	HOK-270-100-Q	VSHOK-270-100-Q	
4088 (ROC 1 & UP)	HOK-4088-1-Q	VSHOK-4088-1-Q	
4110 (ROC 1 & UP)	HOK-4110-1-Q	VSHOK-4110-1-Q	
4125 (ROC 1 & UP)	HOK-4125-1-Q	VSHOK-4125-1-Q	

† Early ROC's (Record of Change) of this compressor (before 1950) use Suction Valves now Obsolete for which Quincy does not show replacement discs or springs. These Kits are made assuming that the valves have been replaced by the 4610X3 valve.

♦ See Spring note on page QU-2

KITS are available for use with SYNTHETIC OIL compressors.

***Remember! You risk nothing to check the quality of our products
Full money back Guarantee if not satisfied***

Independent Components Corp. is an independent supplier of compressor replacement parts and is not affiliated with manufacturers mentioned in this catalog. The original manufacturer's product description and/or part number is given for reference only.



INDEPENDENT COMPONENTS CORP.

528 Hempstead Turnpike, West Hempstead, NY 11552 • Phone 516-481-5100 FAX 516-481-5550
www.iccparts.com sales@iccparts.com • Toll Free: Phone 877-ICC-ICC3 FAX 800-814-8883

QUINCY

HEAD OVERHAUL KITS HOK's and VALVE SET HEAD OVERHAUL KITS VSHOK's (continued)

MODEL & RECORD OF CHANGE	I.C.C. PART NO.	VSHOK	Notes
Two Stage Compressors			
306 (ROC 1 & UP)	HOK-306-1-Q	VSHOK-306-1-Q	
308 (ROC 1 to 12† & 13 to 24)	HOK-308-1-Q	VSHOK-308-1-Q	
308 (ROC 25 & UP)	HOK-308-25-Q	VSHOK-308-25-Q	
310 (ROC 1 to 12† & 13 to 22)	HOK-310-1-Q	VSHOK-310-1-Q	
310 (ROC 23 & UP)	HOK-310-23-Q	VSHOK-310-23-Q	
320 (ROC 1 & UP)	HOK-320-1-Q	VSHOK-320-1-Q	
325 (ROC 1 TO 5)	HOK-325-1-Q	VSHOK-325-1-Q	♦
325 (ROC 6 TO 8)	HOK-325-6-Q	VSHOK-325-6-Q	♦
325 (ROC 9 & UP)	HOK-325-9-Q	VSHOK-325-9-Q	♦
330 (ROC 1 TO 16)	HOK-330-1-Q	N/A	
330 (ROC 17 & UP)	HOK-330-1-Q	VSHOK-330-17-Q	
340 (ROC 1 TO 28)	HOK-340-1-Q	VSHOK-340-1-Q	
340 (ROC 29 & UP)	HOK-340-29-Q	VSHOK-340-29-Q	♦
350 (ROC 1)	HOK-350-1-Q	VSHOK-350-1-Q	♦
350 (ROC 2 TO 10)	HOK-350-2-Q	VSHOK-350-2-Q	♦
350 (ROC 11 to 12)	HOK-350-11-Q	VSHOK-350-11-Q	♦
350 (ROC 13 & UP) 350QRB 100C+	HOK-350-13-Q	VSHOK-350-13-Q	
370 (ROC 1 & UP)	HOK-370-1-Q	VSHOK-370-1-Q	
390 (ROC 1 TO 14)	HOK-390-1-Q	VSHOK-390-1-Q	
390 (ROC 15 & UP)	HOK-390-15-Q	VSHOK-390-15-Q	
5080 (ROC 1 & UP)	HOK-5080-1-Q	VSHOK-5080-1-Q	♦
5105 (ROC 1 to 3)	HOK-5105-1-Q	VSHOK-5105-1-Q	♦
5105 (ROC 4 & UP)	HOK-5105-4-Q	VSHOK-5105-4-Q	
5120 (ROC 2 & UP)	HOK-5120-2-Q	VSHOK-5120-2-Q	
Water Cooled Compressors			
W340 (ROC 1 & UP)	HOK-W340-1-Q	VSHOK-W340-1-Q	
W350 (ROC 1 & UP)	HOK-W350-1-Q	VSHOK-W350-1-Q	
W5105 (ROC 1 & UP)	HOK-W5105-1-Q	VSHOK-W5105-1-Q	
W5120 (ROC 1)	HOK-W5120-1-Q	VSHOK-W5120-1-Q	
W5120 (ROC 2 & UP)	HOK-W5120-2-Q	VSHOK-W5120-2-Q	
Vacuum Pumps			
R15 R17 (Vacuum ROC 1 & UP)	HOK-R15V-1-Q	VSHOK-R15V-1Q	
230V (Vacuum ROC 12 to 18)	HOK-230V-12-Q	VSHOK-230V-12-Q	♦
230V (Vacuum ROC 21 to 26)	HOK-230V-21-Q	VSHOK-230V-21-Q	♦
230V (Vacuum ROC 28 & UP, & 1V & UP)	HOK-230V-28-Q	VSHOK-230V-28-Q	♦
240V (Vacuum ROC 7 & UP, & 1V & UP)	HOK-240V-7-Q	VSHOK-240V-7-Q	♦
244V (Vacuum ROC 12 to 32)	HOK-244V-12-Q	N/A	
244V (Vacuum ROC 34, 35 & 1V)	HOK-244V-34-Q	VSHOK-244V-34-Q	
244V (Vacuum ROC 2V & UP)	HOK-244V-2V-Q	VSHOK-244V-2V-Q	
255V (Vacuum ROC 1V & UP)	HOK-255V-1V-Q	VSHOK-255V-1V-Q	
270V (Vacuum ROC 1V & UP)	HOK-270V-1V-Q	VSHOK-270V-1V-Q	
4088V (Vacuum ROC 1V & UP)	HOK-4088V-1V-Q	VSHOK-4088V-1V-Q	
4110V (Vacuum ROC 1V & UP)	HOK-4110V-1V-Q	VSHOK-4110V-1V-Q	
4125V (Vacuum ROC 1V & UP)	HOK-4125V-1V-Q	VSHOK-4125V-1V-Q	

Please call for price and delivery of part numbers not listed
Remember! You risk nothing to check the quality of our products
Full money back Guarantee if not satisfied

Independent Components Corp. is an independent supplier of compressor replacement parts and is not affiliated with manufacturers mentioned in this catalog. The original manufacturer's product description and/or part number is given for reference only.



INDEPENDENT COMPONENTS CORP.

528 Hempstead Turnpike, West Hempstead, NY 11552 • Phone 516-481-5100 FAX 516-481-5550
www.iccparts.com sales@iccparts.com • Toll Free: Phone 877-ICC-ICC3 FAX 800-814-8883

QUINCY

HEAD OVERHAUL KITS HOK's and VALVE SET HEAD OVERHAUL KITS VSHOK's (continued)

MODEL & RECORD OF CHANGE	I.C.C. PART NO.	VSHOK	Notes
QNRG Compressors – See Page QU-11 for description of Head Overhaul Kits and VSHOKs			
216QRNG (all)	HOK-216NG-100-Q	VSHOK-216NG-100-Q	♦
240QRNG (all)	HOK-240NG-100-Q	VSHOK-240NG-100-Q	♦
270QRNG (all)	HOK-270NG-100-Q	VSHOK-270NG-100-Q	
325QRNG (all)	HOK-325NG-100-Q	VSHOK-325NG-100-Q	♦
340QRNG (all)	HOK-340NG-100-Q	VSHOK-340NG-100-Q	
350QRNG (ROC 100)	HOK-350NG-100-Q	VSHOK-350NG-100-Q	
350QRNG (ROC 101+)	HOK-350NG-101-Q	VSHOK-350NG-101-Q	
370QRNG (all)	HOK-370NG-100-Q	VSHOK-370NG-100-Q	
4125QRNG (all)	HOK-4125NG-100-Q	VSHOK-4125NG-100-Q	
5120QRNG (all)	HOK-5120NG-100-Q	VSHOK-5120NG-100-Q	

QT SLT PLT

SIZE

QTS5 (ROC 100+)	4 & 2-1/4 x 2.78		VSHOK-QTS5-100-Q
QTS5QCB (ROC 100+)	4 & 2-1/4 x 2.78		VSHOK-QTS5QCB-100-Q
QT5 (ROC 100-104)	4 & 2-1/4 x 2.78		VSHOK-QT5-100-Q
QT5 (ROC 200+)	4 & 2-1/4 x 2.78		VSHOK-QT5-200-Q
QT5QCB	4 & 2-1/4 x 2.78		Use QT5 kits with same ROC
SLT7.5/QT7.5 (ROC 100-101)	4-1/2 & 2-1/2 x 3	HOK-QT7.5-100-Q	
QT7.5 (ROC 107)	4-1/2 & 2-1/2 x 3		VSHOK-QT7.5-107-Q
QT7.5 (ROC 200-203)	4-1/2 & 2-1/2 x 3		VSHOK-QT7.5-200-Q
QT7QCB (ROC 200+)	4-1/2 & 2-1/2 x 3		VSHOK-QT7QCB-200C-Q
QT10 (ROC 100+)	4 Cyl 4-1/2 & 2-1/2 x 3.5		VSHOK-QT10-100-Q
QT10 (ROC 100+)	2 Cyl 5 & 2-3/4 x 3.5		VSHOK-QT10-2-100-Q
QT10 (ROC 200+)	2 Cyl 5 & 2-3/4 x 3.5		VSHOK-QT10-200-Q
QT10QCB (ROC 200+)	5 & 2-3/4 x 3.5		VSHOK-QT10QCB-200C-Q
SLT15 (ROC 100-104)	6 & 3-1/4 x 4	HOK-SLT15-100-Q	
		VSHOK retrofit with new style fingers.	VSHOK-SLT15-100-Q
SLT15 (ROC 105-106)	6 & 3-1/4 x 4	HOK-SLT15-105-Q	VSHOK-SLT15-105-Q
		Use HOK-SLT15-105-Q for retrofit VPA's	
QT15 (ROC 100) & QT10	4 Cyl 4-1/2 & 2-1/2 x 3.5		VSHOK-QT15-100-Q
QT15 (ROC 101)	4-1/2 & 2-1/2 x 3.5		VSHOK-QT15-101-Q
QT15QCB (ROC 100C)	4-1/2 & 2-1/2 x 3.5		VSHOK-QT15QCB-100C-Q
QT25 (ROC 100-101)	6 & 3-1/4 x 4	HOK-QT25-100-Q	
		VSHOK retrofit with new style fingers.	VSHOK-QT25-100-Q
QT25 (ROC 102)	6 & 3-1/4 x 4	HOK-QT25-102-Q	VSHOK-QT25-102-Q
QT25QCB (ROC 100C+)	6 & 3-1/4 x 4	HOK-QT25-102-Q	VSHOK-QT25-102-Q

QRD Kits are now available! – contact us for details

KITS are available for use with SYNTHETIC OIL compressors.
Kits may be available for other similar compressors. Please call for details.

♦ See Spring note on page-QU-2

QR-100 VALVE REPAIR KITS have been assembled, which contain Valve Discs, Valve Springs, Dampening Plates, Locating Pins and Valve Seat Gaskets			
for 160133 D01 Discharge Valve.....	VRK-33D-Q	for 160134 S01 Suction Valve.....	VRK-34S-Q
for 160133 S01 Suction Valve.....	VRK-33S-Q	for 9318 Discharge Valve.....	VRK-9318-Q
for 160134 D01 Discharge Valve.....	VRK-34D-Q	for 9319 & 9067 & 9055 Suction Valve.....	VRK-9319-Q

Please call for price and delivery of part numbers not listed

Remember! You risk nothing to check the quality of our products

Full money back Guarantee if not satisfied



INDEPENDENT COMPONENTS CORP.

528 Hempstead Turnpike, West Hempstead, NY 11552 • Phone 516-481-5100 FAX 516-481-5550
www.iccparts.com sales@iccparts.com • Toll Free: Phone 877-ICC-ICC3 FAX 800-814-8883

QUINCY

QUINCY PART NO.	I.C.C. PART NO.	QUINCY PART NO.	I.C.C. PART NO.	QUINCY PART NO.	I.C.C. PART NO.
QUINCY STYLE OVERHAUL KITS have been assembled, which contain valve discs, valve springs, Gasket Set, Piston Rings, Piston Pins & Bushings, Insert Bearings, & Main Bearings. Some also contain Air Filter Elements, Oil Filters, Unloader Diaphragms & Springs, and O-Rings. NOTE: MOK Kits on the pages 5-8 are based on these Quincy Kits and are available with Standard or Undersize Inserts, Valve Repair Parts or Replacement Valve Sets, and some are available with Oversize Piston Rings.					
Single Stage Compressors		Two Stage Compressors		Vacuum Pumps	
110823-A4 2022118434	OHKIT-A4-Q	110823-310 2022118414	OHKIT-310-Q	110823VR15 2022118431 §§	OHKIT-R15V-Q
110823-X2.....	OHKIT-X2-Q				
110823-X3.....	OHKIT-X3-Q	110823-325 2022118416 ♦	OHKIT-325-Q	110823V230 2022118432 §§♦	OHKIT-230V-Q
110823-X8..... TF	OHKIT-X8-Q	2022118438 w/white oil filter ♦	OHKIT-325W-Q		
110823-106 2022118401	OHKIT-106-Q			110823V240 2022118433 §§♦	OHKIT-240V-Q
		110823-340 2022118418 ♦	OHKIT-340-Q		
110823-108 2022118402	OHKIT-108-Q			110823V255	
110823-206 2022118404 SS	OHKIT-206-Q	110823-350 2022118419	OHKIT-350-Q	(for 255V & 270V)	OHKIT-255V-Q
110823-210 2022118405 SS	OHKIT-210-Q				
110823-214 2022118406	OHKIT-214-Q	110823-370 2022118420	OHKIT-370-Q	110823V310	OHKIT-310V-Q
110823-216 2022118407	OHKIT-216-Q				
		110823-390.....	OHKIT-390-Q	110823V412 (for 4125)	OHKIT-412V-Q
110823-230 2022118409 ♦	OHKIT-230-Q	110823-391 2022118421	OHKIT-391-Q		
110823-240 2022118410 ♦	OHKIT-240-Q	(for 309 roc 104+)		KITS are available for use with SYNTHETIC OIL and CLIMATE CONTROL. Please email, FAX or call for pricing.	
110823-255 2022118410	OHKIT-255-Q	110823-510 2022118423	OHKIT-510-Q		
110823-270 2022118412	OHKIT-270-Q	(for 5105 & 5120)			
110823-412 2022118413					
(for 4125).....	OHKIT-412-Q				
TF With Taper Faced Rings Only SS With Side Seal Rings Only			♦ See Spring note on page QU-2		
§§ With side seal rings, not for vacuum pumps with Teflon rings					

QUINCY STYLE MAINTENANCE KITS have been assembled, which contain Valve Discs, Valve Springs, Unloader Diaphragms, Springs, Pins, (where used Unloader Felts), Gasket Set and Oil Pressure Gauge.

110516-210 (w/new valves) ... 2022116901	MKIT-210-Q	110516-340..... 2022116910	MKIT-340-Q ♦
110516-216 (w/new valves) ... 2022116904	MKIT-216-Q	110516-350..... 2022116911	MKIT-350-Q
110516-230..... 2022116905	MKIT-230-Q ♦	110516-370..... 2022116912	MKIT-370-Q
110516-240..... 2022116906	MKIT-240-Q ♦	110516-390..... 2022116913	MKIT-390-Q
110516-255..... 2022116907	MKIT-255-Q	110516-412..... 2022116914	MKIT-412-Q
110516-310 (w/new valves) ... 2022116908	MKIT-310-Q	110516-510 (5105 & 5120).... 2022116915	MKIT-510-Q
110516-325..... 2022116909	MKIT-325-Q ♦		

QUINCY STYLE TUNE UP KITS have been assembled, which contain an Air Filter, Oil Filter, Valve Discs, Valve Springs, Unloader Diaphragms, Valve Gaskets, and some other gaskets (usually Cover Plate).

111500-310..... 2022120501..	TKIT-310-Q	111500-370..... 2022120505..	TKIT-370-Q
111500-325..... 2022120502..	TKIT-325-Q ♦	111500-390..... 2022120506..	TKIT-390-Q
111500-340..... 2022120503..	TKIT-340-Q ♦	111500-512..... 2022120507..	TKIT-512-Q
111500-350..... 2022120504..	TKIT-350-Q		

OIL FILTERS – Painted BLUE

110814 2023402300	OFIL-0814-Q	See Filter Section
110814 001 (six pack)	OFIL-0814-6-Q	See Filter Section
142136 2013400282	OFIL-2136-Q	See Filter Section

New Style QR OIL FILTERS – Painted White

2023400100	OFIL-0100-Q	See Filter Section
2023400101 (10 pack)	OFIL-0101-Q	See Filter Section
Box of 12 (lower cost)	OFIL-0101-12-Q	See Filter Section

FILTER PADS

112605 2023403300	PAD-2605-Q
7296 2023402100	PAD-7296-Q

We sell only to resale accounts – We do not sell to the end user

Independent Components Corp. Is an independent supplier of compressor replacement parts and is not affiliated with manufacturers mentioned in this catalog. The original manufacturers product description and/or part number is given for reference only.



INDEPENDENT COMPONENTS CORP.

528 Hempstead Turnpike, West Hempstead, NY 11552 • Phone 516-481-5100 FAX 516-481-5550
 www.iccparts.com sales@iccparts.com • Toll Free: Phone 877-ICC-ICC3 FAX 800-814-8883

QUINCY

QUINCY PART NUMBERS	I.C.C. PART NO.	QUINCY PART NUMBERS	I.C.C. PART NO.
PISTON RING KITS Please check the CHART on the opposite page to find the correct part numbers and quantities for the desired compressor.			
110525.....	2022110401	RK-0525SS-Q	6801 2022114101 RK-6801SS-Q
110525C (8165C) (Climate Control).....			6801C (Climate Control) 2022114103 RK-6801C-Q
..... 2022110403-2022115003	RK-0525C-Q		6816 (For Vacuum) 2022114201 RK-6816SS-Q
111199.....	2022110501	RK-1199-Q	6817 (1786) (For Vacuum).... 2022114301 RK-6817SS-Q
111199C (Climate Control).....	2022110503	RK-1199C-Q	6996 (5788)..... RK-6996TF-Q
111199CA (Climate Control).....	2022110504	RK-1199CA-Q	
			7234 2022114401 RK-7234TF-QS
111200 (Climate Control) 2022110601	RK-1200C-Q		7353 (For Vacuum) RK-7353-Q
112318 (Climate Control) 2022110801	RK-2318C-Q		7354 (For Vacuum) RK-7354-Q
113046.....	2022110901	RK-3046-Q	7527 (6991)..... 2022114601 RK-7527SS-Q
113046C (Climate Control).....	2022110903	RK-3046C-Q	7527A..... RK-7527A-Q
114210.....	2022111401	RK-4210-Q	
			7527C (Climate Control) 2022114603 RK-7527C-Q
115814.....	RK-5814-Q		7595 (6986)..... 2022114701 RK-7595SS-Q
115815.....	RK-5815-Q		8161 2022114801 RK-8161SS-Q
116176 (Climate Control) 2022112101	RK-6176C-Q		8161A..... 2022114802 RK-8161A-Q
116177 (Climate Control) 2022112201	RK-6177-Q		
160135.....	2022112401	RK-0135-Q	8161C (114210C) (Climate Control)
		 2022111403-2022114803 RK-8161C-Q
160136.....	2022112501	RK-0136-Q	8165 RK-8165SS-Q
4030 (8085A).....	RK-4030TF-Q		8166 (7015)..... 2022115101 RK-8166SS-Q
4413.....	RK-4413TF-Q		8166A (114209). 2022111301 2022115102 RK-8166A-Q
4415.....	RK-4415TF-Q		
4422 (8161A).....	RK-4422TF-Q		8166C (112080) 114209C (Climate Control)
		 2022111303 2022115103 RK-8166C-Q
4425 (6452A).....	2022113702	RK-4425TF-Q	8168 2022115201 RK-8168SS-Q
4428 (6592A) 5091 2022114002	RK-4428TF-Q		8168A..... 2022115202 RK-8168A-Q
4432 (5092).....	RK-4432TF-Q		8168C (Climate Control) 2022115203 RK-8168C-Q
4434.....	RK-4434TF-Q		
4450 (7595A).....	2022114702	RK-4450TF-Q	8169 (2378)..... 2022115301 RK-8169SS-Q
			8170 2022115401 RK-8170SS-Q
4452.....	RK-4452TF-Q		9268 (QR-100) RK-9268-Q
5627 (8170A) 5427 2022115402	RK-5627TF-Q		9915 (QR-100) RK-9915-Q
5787.....	RK-5787TF-Q		
6177C (Climate Control).....	2022112201	RK-6177C-Q	
			PISTON RING KITS – .010 OVERSIZE (Taper Face)
6452 (7018).....	2022113701	RK-6452SS-Q	Standard with Cast Iron Oil Ring, (also available with Steel Rail Oil Ring)
6452C (Climate Control).....	2022113703	RK-6452C-Q	
6489.....	2022113801	RK-6489SS-Q	4422-010 (4422OV10) 2022112711 RK-4422-10-Q
6489C (Climate Control).....	2022113803	RK-6489C-Q	4425-010 (4425OV10) 2022112811 RK-4425-10-Q
			4434-010 (4434OV10) 2022113111 RK-4434-10-Q
6586.....	2022113901	RK-6586SS-Q	5787-010 (5787OV10) 2022113511 RK-5787-10-Q
6586A 2022113902	RK-6586A-Q		5788-010 (5788OV10)
6592.....	2022114001	RK-6592SS-Q	& (6996-010) 2022113611 RK-5788-10-Q
6592C (Climate Control).....	2022114003	RK-6592C-Q	
6800.....		RK-6800TF-Q	

NOTE: SS = Side Seal, TF = Taper Face § 7234 Ring Kit from Quincy is Side Sealed
 Additional PISTON RING KITS are available for CLIMATE CONTROL. Please FAX or call for pricing.

Prices subject to change without notice

Please call for price and delivery of part numbers not listed

Remember! You risk nothing to check the quality of our products

Full money back Guarantee if not satisfied

Independent Components Corp. is an independent supplier of compressor replacement parts and is not affiliated with manufacturers mentioned in this catalog. The original manufacturer's product description and/or part number is given for reference only.



INDEPENDENT COMPONENTS CORP.

528 Hempstead Turnpike, West Hempstead, NY 11552 • Phone 516-481-5100 FAX 516-481-5550
 www.iccparts.com sales@iccparts.com • Toll Free: Phone 877-ICC-ICC3 FAX 800-814-8883

QUINCY

Quincy Gasket & Piston Ring Chart

GASKET KITS			Low Pressure Rings		High Pressure Rings						
ROC	I.C.C. PART NO.	ROC	I.C.C. PART NO.	MODEL	QTY	SIDE SEALED PART NO.	TAPER FACED PART NO.	QTY	SIDE SEALED PART NO.	TAPER FACED PART NO.	
			1+	GK-3708-Q	X2	1	RK-6489SS-Q				
			1+	GK-3708-Q	X2	1	RK-6489SS-Q				
			1+	GK-7551-Q	X3	1	not available		RK-4030TF-Q		
			1+	GK-3709-Q	X8	1	not available		RK-4030TF-Q		
			1+	GK-3710-Q	A4	1	RK-8161SS-Q		RK-4422TF-Q†		
			1+	GK-3713-Q	106	1	RK-8161SS-Q		RK-4422TF-Q†		
			1+	GK-3714-Q	108	1	RK-6452SS-Q		RK-4425TF-Q		
		1-10	GK-6802-Q	11+	GK-68021-Q	206	2	RK-0525SSQ	RK-4415TF-Q		
				1+	GK-6804-Q	208	1	not available	RK-6800TF-Q		
		1-9	GK-6804-Q	10+	GK-68041-Q	210	2	RK-6801SS-Q	not available		
		1-22	GK-3715-Q	23+	GK-5507-Q	212	2	RK-8161SS-Q	RK-4422TF-Q†		
		1-7	GK-7814-Q	8+	GK-78141-Q	214	2	not available	RK-7234TF-Q§		
		1-32	GK-3716-Q	33+	GK-5508-Q	216	2	RK-6452SS-Q	RK-4425TF-Q		
1-19	GK-3718-Q	20-26	GK-5509-Q	27+	GK-7128-Q	230	2	RK-6592SS-Q	RK-4428TF-Q		
		1-4	GK-5510-Q	5+	GK-7127-Q	240	2	RK-6586SS-Q	RK-4432TF-Q		
1-24	GK-3719-Q	25-32	GK-6032-Q	33+	GK-7087-Q	244	2	RK-6586SS-Q	RK-4432TF-Q		
		1-4	GK-5882-Q	5+	GK-7087-Q	255	2	RK-8166SS-Q	RK-4434TF-Q†		
				1+	GK-7087-Q	270	2	RK-8166SS-Q	RK-4434TF-Q†		
				1+	GK-7141-Q	4088	4	RK-6586SS-Q	RK-4432TF-Q		
				1+	GK-7141-Q	4110	4	RK-8166SS-Q	RK-4434TF-Q†		
				1+	GK-7141-Q	4125	4	RK-8166SS-Q	RK-4434TF-Q†		
				1+	GK-7303-Q	306	1	not available	RK-7234TF-Q§		
		1-19	GK-3740-Q	20+	GK-5511-Q	308	1	RK-6452SS-Q	RK-4425TF-Q	1	
		1-19	GK-3721-Q	20+	GK-5512-Q	310	1	RK-6592SS-Q	RK-4428TF-Q	1	
				1+	GK-3034-Q	320	1	RK-6586SS-Q	RK-4432TF-Q	1	
1-5	GK-5163-Q	6-8	GK-5517-Q	9+	GK-7126-Q	325	1	RK-8166SS-Q	RK-4434TF-Q†	1	
		1-16	GK-3463-Q	17-18	GK-6158-Q	330	1	RK-8166SS-Q	RK-4434TF-Q†	1	
1-23	GK-3722-Q	24-28	GK-6033-Q	29+	GK-7088-Q	340	1	RK-7595SS-Q	RK-4450TF-Q	1	
1-10	GK-5789-Q	11-12	GK-7089-Q	13+	GK-7503-Q	350	1	RK-7527SS-Q	RK-5787TF-Q†	1	
				1+	GK-7503-Q	370	1	RK-7527SS-Q	RK-5787TF-Q†	1	
1-10	GK-2380-Q	11-14	GK-6007-Q	15+	GK-7079-Q	390	1	RK-8169SS-Q	not available	1	
				1+	GK-7143-Q	5080	2	RK-7595SS-Q	RK-4450TF-Q	2	
		1-2	GK-7144-Q	4+	GK-7435-Q	5105	2	RK-7527SS-Q	RK-5787TF-Q†	2	
				1+	GK-7435-Q	5120	2	RK-7527SS-Q	RK-5787TF-Q†	2	
				1+	not available	W340	1	RK-7595SS-Q	RK-4450TF-Q	1	
				1+	GK-7584-Q	W350	1	RK-7527SS-Q	RK-5787TF-Q†	1	
					not available	WW33	1	RK-6592SS-Q	RK-4428TF-Q		
					not available	WW44	1	RK-6586SS-Q	RK-4432TF-Q		
					not available	W5080	2	RK-7595SS-Q	RK-4450TF-Q	2	
				1+	GK-7585-Q	W5105	2	RK-7527SS-Q	RK-5787TF-Q†	2	
				1+	GK-7585-Q	W5120	2	RK-7527SS-Q	RK-5787TF-Q†	2	
										† These Kits are also available with .010 Oversize Taper Face Rings	
										§ 7234 Ring Kit from Quincy is Side Sealed	
Some versions of the following Vacuum Pumps use Teflon Rings which are Not Available, call for information about optional ring availability											
12-18	GK-3718-Q	21-26	GK-5509-Q	28+	GK-7128-Q	230V	2	RK-6816SS-Q	not available		
		1-4	GK-5510-Q	5+	GK-7127-Q	240V	2	RK-6816SS-Q	not available		
12-24	GK-3719-Q	28-32	GK-6032-Q	34+	GK-7087-Q	244V	2	RK-6817SS-Q	not available		
				1+	GK-7087-Q	255V	2	not available	RK-7354-Q		
				1+	GK-7861-Q	270V	2	not available	RK-7354-Q		
				1+	GK-7141-Q	4110	4	not available	RK-7354-Q		
				1+	GK-7141-Q	4125	4	not available	RK-7354-Q		
				1+	GK-3712-Q	R15 & R17	2	RK-6817SS-Q	not available		
					not available	WW-33	2	RK-6816SS-Q	not available		
					not available	WW-44	2	RK-6817SS-Q	not available		

NOTE: RK-9268-Q & RK-9915-Q for some QR-100 Compressors available.

We sell only to resale accounts – We do not sell to the end user



INDEPENDENT COMPONENTS CORP.

528 Hempstead Turnpike, West Hempstead, NY 11552 • Phone 516-481-5100 FAX 516-481-5550
www.iccparts.com sales@iccparts.com • Toll Free: Phone 877-ICC-ICC3 FAX 800-814-8883

QUINCY

Quincy Gasket & Piston Ring Chart

GASKET KITS				Low Pressure Rings		High Pressure Rings				
ROC	I.C.C. PART NO.	ROC	I.C.C. PART NO.	MODEL	QTY	SIDE SEALED PART NO.	TAPER FACED PART NO.	QTY	SIDE SEALED PART NO.	TAPER FACED PART NO.
100+	GK-1203-Q	200-1	GK-4097-Q	202+ GK-40972-Q	1	not available	RK-1199-Q	1	not available	RK-1200-Q
		100+	GK-4097-Q	102+ GK-40972-Q	1	not available	RK-1199-Q	1	not available	RK-1200-Q
100-7GK-0959-Q		107	GK-09591-Q	200+ GK-4418-Q	1		RK-4209-Q	1		RK-4210-Q
				100+ GK-4418-Q	1		RK-4209-Q	1		RK-4210-Q
				100+ GK-2085-Q	1	RK-8166-Q	RK-8166C-Q	1		RK-2318C-Q
		100-4	GK-0891-Q	105+ GK-09812-Q	1	RK-7527SS-Q	RK-5787TF-Q	1	RK-8168SS-Q	RK-6996TF-Q
		100-1	GK-9811-Q	102+ GK-09813-Q	2	RK-7527SS-Q	RK-5787TF-Q	2	RK-8168SS-Q	RK-6996TF-Q
100	GK-1203-Q	200	GK-4097-Q	201+ GK-40972-Q	1		RK-1199C-Q or RK-1199CA-Q	1		RK-1200-Q
100	GK-0959-Q	101	GK-09591-Q	200+ GK-4418-Q	1		RK-8166C-Q or RK-4209C-Q	1	RK-8161C-Q or RK-4210C-Q	RK-4210C-Q
				100+ GK-4772-Q	1		RK-6176C-Q	1		RK-6177-Q
				100+ GK-2085-Q	1		RK-2080-Q or RK-8166C-Q	1		RK-2318C-Q
				100+ GK-09813-Q	1		RK-7527C-Q	1		RK-8168C-Q
				100+ GK-16371-Q	1	QRDS 5-7.5hp	Too Many to list			
				100+ GK-16372-Q	1	QRDS 10HP 2cyl	RK-63110-Q			
				100+ GK-1637-Q	1	QRDS 10-15HP 3cyl	Too Many to list			
				100+ GK-3630-Q	1	QRDS 20hp	RK-3631-Q			

QUINCY PART NUMBERS	I.C.C. PART NO.	QUINCY PART NUMBERS	I.C.C. PART NO.
---------------------	-----------------	---------------------	-----------------

PISTON PINS

OLD STYLE (USES RETAINING SCREW)

1263.....	PIN-1263-Q	110190-004	2025024604	PIN-9004-Q
1264.....	PIN-1264-Q	110190-005		PIN-9005-Q
1343.....	PIN-1343-Q	110190-006		PIN-9006-Q
1586X alum. end caps.....	PIN-1586-Q	110190-007	2025024607	PIN-9007-Q
1587.....	PIN-1587-Q	110190-008	2025024608	PIN-9008-Q
		110190-009		PIN-9009-Q
1588X alum. end caps.....	PIN-1588-Q	110190-010	2025024610	PIN-9010-Q
1937X alum. end caps.....	PIN-1937-Q			
2031.....	PIN-2031-Q	110190-011	2025024611	PIN-9011-Q
2126X.....	PIN-2126-Q	110190-012		PIN-9012-Q
2162X.....	PIN-2162-Q			
		110190-013	2025024613	PIN-9013-Q
2336.....	PIN-2336-Q	110190-014	2025024614	PIN-9014-Q
2341.....	PIN-2341-Q	110190-016	2025024616	PIN-9016-Q
2583.....	PIN-2583-Q	110190-017	2025024617	PIN-9017-Q
		110190-018	2025024618	PIN-9018-Q
5856.....	PIN-5856-Q	110190-019	2025024619	PIN-9019-Q
6535X.....	PIN-6535-Q	110190-020	2025024620	PIN-9020-Q
6571X.....	PIN-6571-Q	110190-022	2025024622	PIN-9022-Q
		110190-023	2025024623	PIN-9023-Q
		110190-025	2025024625	PIN-9025-Q
		110190-027	2025024627	PIN-9027-Q
		110190-052	2025024652	PIN-9052-Q
		110190-053	2025024653	PIN-9053-Q
		110190-054	2025024654	PIN-9054-Q
		110190-055	2025024655	PIN-9055-Q
		114109	2025025100	PIN-4109-Q

NEW STYLE (USES LOCK RINGS)

8645.....	2025026300	PIN-8645-Q		
8646.....	2025026300	PIN-8646-Q		
8647.....	2025026500	PIN-8647-Q		
9382.....		PIN-9382-Q		
110146.....	2025024500	PIN-0146-Q		
110190-001		PIN-9001-Q		
110190-002 (110190-021) 110190-015.....				
.....	2025024621	PIN-9002-Q		
110190-003	2025024603	PIN-9003-Q		

PISTON PIN PLUGS

111105-001	2025027201	PLUG-1051-Q	111105-002	2025027202	PLUG-1052-Q
			111105-003	2025027203	PLUG-1053-Q

PISTON LOCK RING, SCREW, COTTER PIN

8648 (Lock Ring)	335210509	LR-8648-Q	128203-100 (Lock Ring).....	0335210506	LR-3100-Q
8649 (Lock Ring)	335210510	LR-8649-Q	128203-137 (Lock Ring).....	0335210506	LR-3137-Q
110269 (Lock Ring)		LR-0269-Q	1384 Screw	2024803600	SCR-1384-Q
110270 (Lock Ring)		LR-0270-Q	(Cotter Pins see QU-3)		



INDEPENDENT COMPONENTS CORP.

528 Hempstead Turnpike, West Hempstead, NY 11552 • Phone 516-481-5100 FAX 516-481-5550
www.iccparts.com sales@iccparts.com • Toll Free: Phone 877-ICC-ICC3 FAX 800-814-8883

QUINCY

QUINCY PART NUMBERS	I.C.C. PART NO.	QUINCY PART NUMBERS	I.C.C. PART NO.
KICKOFF PIN (UNLOADER PLUNGER) & SPRING			
6937	2025029000	KPN-1-Q	1857
6945	2025049100	KPS-1-Q	6910 (1858).....
			2025025600 2025049000
			KPN-3-Q
			KPS-3-Q
UNLOADER DIAPHRAGMS			
1565		DPH-1-Q	7854
1565S	2025009500	DPH-1S-Q	8200 (7854S)
			2025009900
			DPH-3-Q
			DPH-3S-Q
1855	2025009600	DPH-2-Q	9062
1855S (Silicone).....	2025009700	DPH-2S-Q	
			DPH-4-Q
BRASS & STAINLESS UNLOADER PISTONS PINS & PLUNGERS			
7532X (110753X) 110590-001 (With O-Ring)			6912-001 (6912)
.....	2021106101	UPI-7532-Q	2025026001
7532X1 (Stainless).....	2021106102	UPI-7532SS-Q	6912-002 (Stainless).....
1881		UPI-1881-Q	2025026002
110614-1	2025028000	UPL-6141-Q	6950-001 (6950)
7586X.....		UPL-7856-Q	2025026100
			2025026201
			6965-001 (6965)
			2025026202
			6965-0021 (Stainless).....
			2025026202
			111717-001
			2025028100
			UPIN-6912-Q
			UPIN-6912SS-Q
			UPIN-6950-Q
			UPIN-6965-Q
			UPIN-6965SS-Q
			UPL-7001-Q
SUCTION UNLOADER ASSEMBLIES			
1817X.....		UNLA-1817-Q	111590X1.....
1823AX.....		UNLA-1823-Q	2023908601
1933		UP-1933-Q	111590X2.....
1933X.....		UPLA-1933-Q	2023908602
7483X (6915X) 6914	2024300051	UNLA-7483-Q	111591X1.....
			2023908801
			111591X2.....
			2023908802
			UNLA-90X1-Q
			UNLA-90X2-Q
			UNLA-91X1-Q
			UNLA-91X2-Q
7483X1	2024300052	UNLA-7483G-Q	111591X3.....
8272X (40192).....	2024300054	UNLA-8272-Q	2023908803
8201 (8129).....	2021106401	UNLA-8201-Q	111591X4.....
40055	2021104303	UNLA-0055-Q	2023908804
			114655X2.....
			2025028450
			2023908403
			2023908404
			UNLA-55X2-Q
			UNLC-5893-Q
			UNLC-5894-Q
HYDRAULIC UNLOADER ASSEMBLIES & REPAIR KITS			
111060-001	2022119701	HYUN-6001-Q	7970X.....
111060-002	2022119702	HYUN-6002-Q	2023921301
111060-003	2022119703	HYUN-6003-Q	7970X1 (7460X1) 6278X1
111060-004	2022119704	HYUN-6004-Q	2023921302
			7970XV
			2023921351
			7970XSL
			2023921352
			7970X1SL
			2023921353
			HYUN-7970-Q
			HYUN-7970-1-Q
			HYUN-7970V-Q
			HYUN-7970SL-Q
			HYUN-7970SL-1-Q
110827-001	2023911501	HYUN-8271-Q	8063
110827-002	2023911502	HYUN-8272-Q	2022135201
110827-003	2023911503	HYUN-8273-Q	8063-001
110827-004	2023911504	HYUN-8274-Q	2022135202
			113225 for.....
			2022126001
			for (110827-050, 051, 052, 053)
			HYVRK-8063-Q
			HYVRK-8063-1-Q
			HYVRK-3225-Q
DISCHARGE UNLOADER PILOT VALVES			
112711	2023911901	UNL-1000-Q	114867-175.....
112711-135	2023911902	UNL-1135-Q	2023916401
112711-150	2023911903	UNL-1150-Q	115117-150.....
112711-001	2023912000	UNL-1001-Q	2023916503
			115272
			2023916900
			115292-125.....
			2023917001
			UNL-2125-Q
114025	2023916001	UNL-5000-Q	115292-135.....
114025-135	2023916002	UNL-5135-Q	2023917002
114551-175	2023916102	UNL-1175-Q	115292-150.....
			2023917003
			UNL-2135-Q
			UNL-2150-Q
CHECK VALVES & DISCS			
6194X2 (6194X) (Buna)	2023918800	CKV-6194X2-Q	6196-001 (6196) 9471 (Buna) ...
6194X3 (Viton)	2023918900	CKV-6194X3-Q	2023907101
			6196-002 (Buna) ...
			2023907102
			6196-003 (Viton) ...
			2023907103
			CKD-6196-Q
			CKD-61962-Q
			CKD-61963-Q
COMBINATION HYDRAULIC UNLOADER, PILOT AND CHECK VALVES			
2023903202		VAL-3202-Q	2023903302
2023903203		VAL-3203-Q	2023903303
2023903204		VAL-3204-Q	2023903304
2023903205		VAL-3205-Q	2023903305
			VAL-3302-Q
			VAL-3303-Q
			VAL-3304-Q
			VAL-3305-Q



INDEPENDENT COMPONENTS CORP.

528 Hempstead Turnpike, West Hempstead, NY 11552 • Phone 516-481-5100 FAX 516-481-5550
www.iccparts.com sales@iccparts.com • Toll Free: Phone 877-ICC-ICC3 FAX 800-814-8883

QUINCY

QUINCY PART NUMBERS	I.C.C. PART NO.	QUINCY PART NUMBERS	I.C.C. PART NO.		
PILOT VALVES					
110832-000	2023911601	PIVAL-2000-Q	111423-000	2023912301	PIVAL-3000-Q
110832-040	2023911602	PIVAL-2040-Q	111423-001	2023912302	PIVAL-3001-Q
110832-050	2023911603	PIVAL-2050-Q	111423-002	2023912303	PIVAL-3002-Q
110832-090	2023911607	PIVAL-2090-Q	111423-100	2023912305	PIVAL-3100-Q
110832-100	2023911608	PIVAL-2100-Q	111423-140	2023912307	PIVAL-3140-Q
110832-110	2023911609	PIVAL-2110-Q	111423-150	2023912308	PIVAL-3150-Q
110832-125	2023911610	PIVAL-2125-Q	111423-165	2023912309	PIVAL-3165-Q
110832-140	2023911611	PIVAL-2140-Q	111423-175	2023912310	PIVAL-3175-Q
110832-150	2023911612	PIVAL-2150-Q	111423-998	2023912312	PIVAL-3998-Q
110832-165	2023911613	PIVAL-2165-Q	111423-999	2023912313	PIVAL-3999-Q
110832-175	2023911614	PIVAL-2175-Q	113320-095	2023912601	PIVAL-0095-Q
110832-250	2023911615	PIVAL-2250-Q	113320-125	2023912603	PIVAL-0125-Q
110832-997	2023911616	PIVAL-2997-Q	113320-165	2023912606	PIVAL-0165-Q
110832-998	2023911617	PIVAL-2998-Q	113321-110	2023912703	PIVAL-1110-Q
110832-999	2023911618	PIVAL-2999-Q	113321-125	2023912704	PIVAL-1125-Q
110998-100	2023912105	PIVAL-8100-Q	113321-140	2023912705	PIVAL-1140-Q
110998-110	2023912106	PIVAL-8110-Q	113321-150	2023912706	PIVAL-1150-Q
110998-165	2023912111	PIVAL-8165-Q	113321-150A	2023912707	PIVAL-1150A-Q
110998-165A	2023912112	PIVAL-8165A-Q	113321-165	2023912708	PIVAL-1165-Q
110998-998	2023912114	PIVAL-8998-Q	113321-175	2023912709	PIVAL-1175-Q
111422-140	2023912205	PIVAL-2140-Q	113708-100	2023912803	PIVAL-8100T-Q
111422-150	2023912206	PIVAL-2150-Q	113708-100A	2023912804	PIVAL-8100AT-Q
111422-175	2023912207	PIVAL-2175-Q	113708-150	2023912808	PIVAL-8150T-Q
111422-997	2023912208	PIVAL-2997-Q	113708-175	2023912809	PIVAL-8175T-Q
111422-998	2023912209	PIVAL-2998-Q	113708-998	2023912810	PIVAL-8998T-Q
111422-999	2023912210	PIVAL-2999-Q			

PILOT VALVE PARTS & KITS

110832-051	2023911651	PIVRK-2051-Q	110832-053	2023911653	PISPG-2053-Q
113320K	2023912680	PIVRK-3320-Q	110832-054	2023911654	PISPG-2054-Q
110832-052		PISPG-2052-Q	2023903401		SOL-3401-Q

UNLOADER VALVE PARTS

110639-001	2024312201	SPAC-0639-Q	6097	2023405800	SCRN-6097-Q
110889X	2023908180	UNAD-0889-Q	6279		PST-6279-Q
110889-002	2023908181	UNAD-08892-Q	6281	2025040000	HYROD-6281-Q
111589-3	2023908403	UCYL-5893-Q	6283	2023404500	FEL-6283-Q
111589-4	2023908404	UCYL-5894-Q	6284 (110705-C10)	2024811408	RP-6284-Q
121160	2014701277	PLUG-1160-Q	6285	0335360020	LR-6285-Q
160006	2025046400	UNSP-0006-Q	6304		RET-6304-Q
1642	0581120067	ELB-1642-Q	6550	2025048500	UNSP-6550-Q
1817		UB-1817-Q	6598	2025048800	SPG-6598-Q
1818B (1818A)	2024404100	CP-1818B-Q	7460		UB-7460-Q
1823A		UB-1823-Q	7483	2024300001	UB-7483-Q
1880		PLG-1880-Q	7499	2024810700	SCR-7499-Q
1884	2025047200	HYSPG-1884-Q	7690	2025040300	HYPST-7690-Q
1985	2025028800	HYPLG-1985-Q	7852	2024300101	UB-7852-Q
2040		SCR-2040-Q	7853	2024408500	UC-7853-Q
2326		SPG-2326-Q	7855	2025001800	UBUT-7855-Q
3437		CAP-3437-Q	8088	2024807600	SCR-8088-Q
5453	2025000200	HYBALL-5453-Q	8272	2024300004	UB-8272-Q
5729	2023920900	UP-5729-Q	9221	2023921400	UNF-9S-Q
5910	2025001600	UPC-5910-Q	9222	2025050300	UNSP-9S-Q

See O-Ring Section for Unloader V & Quad Rings



INDEPENDENT COMPONENTS CORP.

528 Hempstead Turnpike, West Hempstead, NY 11552 • Phone 516-481-5100 FAX 516-481-5550
www.iccparts.com sales@iccparts.com • Toll Free: Phone 877-ICC-ICC3 FAX 800-814-8883

QUINCY

QUINCY PART NUMBERS	I.C.C. PART NO.	QUINCY PART NUMBERS	I.C.C. PART NO.		
MAIN BEARINGS					
2523	2024205100	RB-2523-CU-Q	6552	2024204600	RB-6552-CO-Q
2585	2024205200	RB-2585-CO-Q	6553	2024204700	RB-6553-CU-Q
2720	2024205300	RB-2720-CU-Q	6554	2024204800	RB-6554-CO-Q
2788	2024205400	RB-2788-CO-Q	6651	2024206000	RB-6651-CO-Q
3720 (112068)	2024205500	RB-3720-CU-Q	6652	2024205800	RB-6652-CO-Q
3776	2024205600	RB-3776-CO-Q	40775	2024205700	RB-0775-CO-Q
4018	2024204900	RB-4018-CU-Q	111107	2024203700	MB-1107-Q
4019	2024205000	RB-4019-CO-Q	111779	2024204300	MB-1779-Q
4356		RB-4356-CO-Q	111780	2024204400	MB-1780-Q
4357	2024205900	RB-4357-CU-Q	112595	2024203600	MB-2595-Q
6551	2024204500	RB-6551-CU-Q	114571	2024203800	MB-4571-Q

OIL PRESSURE GAUGES					
1386	2025020200	OPG-1386-Q	110822	2025018600	OPG-0822-Q
110162	2025018400	OPG-0162-Q	110514-300	2025018507	OPG-5143-Q

NEW – GEROTOR OIL PUMP and PARTS

GEROTOR OIL PUMP PARTS and REPAIR KITS					
1281	2025000000	BALL-1281-Q	2022132307	KIT-2307-Q
160003	2025057200	GPMP-0003-Q	2024200201	OPS-0201-Q
160078	2022132201	KIT-0078-Q	2024200202	OPS-0202-Q
160078-001	2022132202	KIT-00781-Q	2024200203	OPS-0203-Q
160079	2022132301	KIT-0079-Q	160002-001	2024206101	OPS-2001-Q
160079-001	2022132302	KIT-00791-Q	160002-002	2024206102	OPS-2002-Q
160079-002	2022132304	KIT-00792-Q	160002-003	2024206103	OPS-2003-Q
.....	2022132203	KIT-2203-Q	160002-004	2024206104	OPS-2004-Q
.....	2022132306	KIT-2306-Q	160075-001	0337001010	KEY-5001-Q

OIL SEALS					
111016 (for 111011X carrier)	2024719300	OS-1016-Q	6315 (for 5516X plate)	2024720500	OS-6315-Q
111106-1 (111106) (for 111108X carrier)	2024719400	OS-1106-Q	6315-001 (Viton)	2024720600	OS-63151-Q
111781-001 (111781)	2024719600	OS-7811-Q	6316 (for 5506X1 plate)	2024720700	OS-6316-Q
111878	2024719600	OS-1878-Q	6316-001 (Viton)	2024720800	OS-63161-Q
112048	2024719900	OS-2048-Q	6519	2024721000	OS-6519-Q
112255	2024720000	OS-2255-Q	8831	2024721100	OS-8831-Q
112596-001 (112596)	2024720100	OS-2596-Q	Note: Used with 6930-1X adjustment plates in some 270, 340 & QRB, 350 & QRB, and 370		
115058-001 (115058)	2024720300	OS-5058-Q	8966 (8966-001)	2024721200	OS-8966-Q
128560	1627413026	OS-8560-Q	2024721601		OS-1601-Q
			2024721602		OS-1602-Q

SAFETY VALVES					
2961-65	2023918105	ISV-65-Q	110513-115	2013900014	SV-3115-Q
2961-90	2023918107	ISV-90-Q	110513-125	2023913009	SV-3125-Q
2961-100	2023918108	ISV-100-Q	110513-137	2023913010	SV-3137-Q
2961-125	2023918110	ISV-125-Q	110513-150	2023913011	SV-3150-Q
2961-150	2023918111	ISV-150-Q	110513-165	2023913013	SV-3165-Q
2961-165	2023918113	ISV-165-Q	110513-175	2023913014	SV-3175-Q
2961-200	2023918116	ISV-200-Q	110513-200	2023913015	SV-3200-Q
2961-225	2023918118	ISV-225-Q	110513-225	2013900017	SV-3225-Q
2961-250	2023918119	ISV-250-Q	110513-250	2023913018	SV-3250-Q
3022-100	2023918305	SV-2100-Q	111089-215	2023913610	SV-9125-Q
8158-60	2023919802	SV-9158-60-Q	11425-270	2023914002	SV-1425-270-Q

Other Safety Valves are available – please call with either-Quincy part number or size



INDEPENDENT COMPONENTS CORP.

528 Hempstead Turnpike, West Hempstead, NY 11552 • Phone 516-481-5100 FAX 516-481-5550
www.iccparts.com sales@iccparts.com • Toll Free: Phone 877-ICC-ICC3 FAX 800-814-8883

QUINCY

QUINCY PART NUMBERS	I.C.C. PART NO.	QUINCY PART NUMBERS	I.C.C. PART NO.	
O-RING KITS - Quincy Style				
160143.....	2022132401	OKIT-143-Q	110773.....2022117401	OKIT-773-Q
160143-001.....	2022132402	OKIT-1431-Q	110774.....2022117501	OKIT-774-Q
160144.....		OKIT-144-Q	110775-001.....2022117602	OKIT-775-1-Q
160144-001.....	2022132502	OKIT-1441-Q	110776-001.....2022117702	OKIT-776-1-Q
110290-001.....	2022116102	OKIT-290-1-Q	110776G.....2022117703	OKIT-776G-Q
110290G001.....	2022116103	OKIT-290G-Q	116270.....2022131401	OKIT-6270-Q
110291G.....	2022116203	OKIT-291G-Q	160190.....2022132901	OKIT-0190-Q
110295-001.....	2022116602	OKIT-295-1-Q	160191.....2022133001	OKIT-0191-Q
110610.....	2022117001	OKIT-610-Q	2022131402.....	OKIT-1402-Q
110610-001.....	2022117002	OKIT-610-1-Q	2022116104.....	OKIT-6104-Q
110610-002.....	2022117003	OKIT-610-2-Q	2022116204.....	OKIT-6204-Q
110772-001.....	2022117302	OKIT-772-1-Q	2022117704.....	OKIT-7704-Q

O-RING KITS - ICC Style, These kits include only O-rings, no diaphragms or oil seal.

for 244-270,330-390,5105,5120.....	OKIT-1-Q	for 106, 108.....	OKIT-4-Q
above with Viton O-Rings.....	OKIT-1V-Q		
for 212-240,-308-325.....	OKIT-2-Q	for 206, 208, 210.....	OKIT-5-Q
above with Viton O-Rings.....	OKIT-2V-Q	above with Viton O-Rings.....	OKIT-5V-Q
for 4088, 4110, 4125, 5080.....	OKIT-3-Q	for X2, X3, X8.....	OKIT-6-Q
above with Viton O-Rings.....	OKIT-3V-Q	for A4.....	OKIT-7-Q

O-RINGS

112708-908.....0663211775	ORG-8908-Q	6320.....	ORG-6320-Q
128772-004.....	ORG-2004-Q	6329.....	ORG-6329-Q
128774-005.....2010356520	ORG-2005-Q	6755.....	ORG-6755-Q
2323.....	ORG-2323-Q	6851S (6851).....	ORG-6851-Q
2327.....	ORG-2327-Q		
5021.....	ORG-5021-Q	6916.....	ORG-6916-Q
5457.....	ORG-5457-Q	6917.....2025035900	ORG-6917-Q
5476.....	ORG-5476-Q	7958 (V-Ring).....2025037800	ORG-7958-Q
5491.....	ORG-5491-Q	7958-001 (Viton V-Ring).....2025037900	ORG-7958V-Q
6177.....	ORG-6177-Q	9053.....	ORG-9053-Q
6197.....	ORG-6197-Q	9098.....	ORG-9098-Q
6260.....	ORG-6260-Q	20353.....	ORG-20353-Q
6270.....	ORG-6270-Q	121947.....	ORG-1947-Q
6286 (Quad Ring).....2025035100	ORG-6286-Q	160633-124.....	ORG-3124-Q
6286-001 (Viton-Quad Ring) ..2025035200	ORG-6286V-Q	160633-125.....	ORG-3125-Q
6314.....	ORG-6314-Q	0663211860.....	ORG-1860-Q

O-RINGS - Labeled by Size

For the following-Quincy O-Ring part numbers, the first group (5 or 6 digits) designates the material, and the Second group (3 digits) designates the standard O-Ring Size. Pricing can be found in the MISCELLANEOUS Section.

22749 sss	Viton O-Rings	sss = Size	ORING sss V	See O-Rings in MISC
140406 sss	Viton O-Rings	sss = Size	ORING sss V	See O-Rings in MISC
110663 sss	Silicone O-Rings	sss = Size	ORING sss S	See O-Rings in MISC
123157 sss	Buna O-Rings	sss = Size	ORING sss B	See O-Rings in MISC

BEARING SHIM SETS

for 206-ROC 11+, 210 ROC 10+,214 ROC 8+ SS-1015-Q	212, 216, 308, 310.....	SS-1832-Q
for: 244, 255, 270, 330, 340, 350, 370.....	X2, X3, X8.....	SS-2115-Q
390, 4088, 4110, 4125, 5080, 5105, 5120...	230, 230V, 240, 240V, 325.....	SS-6294-Q
A4, 106, 108, R15, R17.....	206, 208, 210, 214, 306.....	SS-6556-Q

We sell only to resale accounts – We do not sell to the end user
Remember! You risk nothing to check the quality of our products



INDEPENDENT COMPONENTS CORP.

528 Hempstead Turnpike, West Hempstead, NY 11552 • Phone 516-481-5100 FAX 516-481-5550
www.iccparts.com sales@iccparts.com • Toll Free: Phone 877-ICC-ICC3 FAX 800-814-8883

QUINCY

QUINCY PART NO.	I.C.C. PART NO.	QUINCY PART NO.	I.C.C. PART NO.
GASKET KITS Have been put together including only Fiber Shims. If you need a complete set of shims, (usually fiber and/or plastic and metal up to .020 thick) either order the appropriate Shim Set on the following page, or add the letter "S" before the "Q" in the Gasket Kit Part number and we will include the listed Shim Set at the appropriate price.			
Normal Gasket Sets			
110959	SS-6294-Q.....2022106000	GK-0959-Q	5512
110959-001	SS-6294-Q.....2022106001	GK-09591-Q	5517
110981	included in GK .2022106100	GK-0981-Q	5789
110981-002	included in GK .2022106102	GK-9812-Q	5882
110981-003	included in GK .2022106103	GK-9813-Q	6007
111203	none.....2022106200	GK-1203-Q	6032
111637	none.....2022106300	GK-1637-Q	6033
111637-1	none.....2022106301	GK-16371-Q	6158
111637-2	none.....2022106302	GK-16372-Q	6802
112085	none.....2022104800	GK-2085-Q	6802-001
113048	none.....2022106400	GK-3048-Q	6804 (6803)
113048-001	none.....2022106401	GK-30481-Q	6804-001
113048-002	none.....use	GK-40973-Q	7079
113630	none.....2022106500	GK-3630-Q	7087
114097	none.....use	GK-40972-Q	7088
114097-002	none.....2022106702	GK-40972-Q	7089
114097-003	none.....2022106703	GK-40973-Q	7126
114418	none.....2022106800	GK-4418-Q	7127
114772	none.....2022106900	GK-4772-Q	7128
160131		GK-0131-Q	7141
160189		GK-0189-Q	7143
2380	SS-1498-Q.....	GK-2380-Q	7144
3034		GK-3034-Q	7303
3463	SS-1383-Q.....	GK-3463-Q	7435
3708	included in GK .2022107200	GK-3708-Q	7503
3709	included in GK .2022107300	GK-3709-Q	7551
3710	SS-1644-Q.....2022107400	GK-3710-Q	7584
3712	SS-1644-Q.....2022107500	GK-3712-Q	7585
3713	SS-1644-Q.....2022107600	GK-3713-Q	7814
3714	SS-1644-Q.....2022107700	GK-3714-Q	7814-001
3715	SS-1644-Q.....	GK-3715-Q	7861
3716	SS-1644-Q.....2022107800	GK-3716-Q	for 320
3718	SS-6294-Q.....	GK-3718-Q	
3719	SS-1383-Q.....	GK-3719-Q	
3721	SS-1644-Q.....2022107900	GK-3721-Q	
3722	SS-1383-Q.....	GK-3722-Q	
3740	SS-1644-Q.....	GK-3740-Q	
5163	SS-6294-Q.....	GK-5163-Q	
5507	SS-1832-Q.....	GK-5507-Q	
5508	SS-1832-Q.....2022108000	GK-5508-Q	
5509	SS-6294-Q.....2022108100	GK-5509-Q	
5510	SS-6294-Q.....2022108200	GK-5510-Q	
5511	SS-1832-Q.....	GK-5511-Q	
			SS-1832-Q 2022108300
			SS-6294-Q 2022108400
			SS-1383-Q 2022108500
			SS-1383-Q 2022108600
			SS-1383-Q 2022108700
			SS-1498-Q 2022108800
			SS-1498-Q 2022108900
			SS-1383-Q 2022109000
			SS-1383-Q 2022109100
			SS-1383-Q 2022109200
			SS-6294-Q 2022109300
			SS-6294-Q 2022109400
			SS-1498-Q 2022109500
			SS-1498-Q 2022109600
			SS-1383-Q 2022109700
			SS-1383-Q 2022109800
			SS-5494-Q 2022109900
			SS-1383-Q 2022110100
			SS-1383-Q 2022110200
			Gasket Sets for Natural Gas Compressors
			5508G included in GK .2022108001
			7087G SS-1383-Q 2022109001
			7088G SS-1383-Q 2022109101
			7126G SS-6294-Q 2022105100
			7127G SS-6294-Q 2022105300
			7128G SS-6294-Q 2022109401
			7141G SS-1498-Q 2022109601
			7435G included in GK .2022109701
			7503G included in GK .2022109701
			Note QRNG Natural Gas Compressor Kits use gasket material like the one Quincy for use with Natural Gas

Please call for price and delivery of part numbers not listed

Remember! You risk nothing to check the quality of our products

Full money back Guarantee if not satisfied

Independent Components Corp. is an independent supplier of compressor replacement parts and is not affiliated with manufacturers mentioned in this catalog. The original manufacturer's product description and/or part number is given for reference only.



INDEPENDENT COMPONENTS CORP.

528 Hempstead Turnpike, West Hempstead, NY 11552 • Phone 516-481-5100 FAX 516-481-5550
www.iccparts.com sales@iccparts.com • Toll Free: Phone 877-ICC-ICC3 FAX 800-814-8883

QUINCY

QUINCY PART NO.	I.C.C. PART NO.	QUINCY PART NO.	I.C.C. PART NO.	QUINCY PART NO.	I.C.C. PART NO.
SPECIAL INSPECTION PLATE GASKETS We are now stocking gaskets made of 1/8 inch thick Cork & Rubber for machines where the normal gaskets will not hold oil because of bent inspection plates.					
1315 ICC SPECIAL ...	IP-1315-SPEC-Q	1599 ICC SPECIAL ...	IP-1599-SPEC-Q	6558 ICC SPECIAL ...	IP-6558-SPEC-Q
1598 ICC SPECIAL ...	IP-1598-SPEC-Q	1840 ICC SPECIAL ...	IP-1840-SPEC-Q	6678 ICC SPECIAL ...	IP-6678-SPEC-Q

INDIVIDUAL GASKETS

110428N031. 0300012988	FW-N031-Q	1272	2024805600	CW-1272-Q	1852-1	2024708900	VCG-2-1-Q	
110428N038. 0300012969	FW-N038-Q	1273		BC-1273-Q	1833	2024708100	CB-1833-Q	
110915	2024700300	VPC-0915-Q	1274	OP-1274-Q	1833-1	2024708200	CB-1833-1-Q	
110916	2024700400	VPP-0916-Q	1315	2024705600	IP-1315-Q	1840	2024708300	IP-1840-Q
110917	2024700500	VPH-0917-Q	1315-1		IP-1315-1-Q	1840-1		IP-1840-1-Q
110940	2024700600	VPC-0940-Q	1353		HG-1353-Q	1871		HG-1871-Q
110941		VPP-0941-Q	1355		BC-1355-Q	1873		HG-1873-Q
110941-001	2024700800	VPP-9411-Q	1383	2025040500	SH-1383-Q	1943	2024709100	HG-1943-Q
110941-2	2024700900	VPP-9412-Q	1383A	2025040501	SH-1383A-Q	1943-1	2024709200	HG-1943-1-Q
110942	2024701100	VPH-0942-Q	1383B	2025040502	SH-1383B-Q	1944		HG-1944-Q
110942-1	2024701200	VPH-9421-Q	1383D	2025040503	SH-1383D-Q	1945	2024709300	HG-1945-Q
111015-007	2025040407	SH-5007-Q	141005	2014500856	FGG-1005-Q	1946	2024709400	HG-1946-Q
111015-010	2025040410	SH-5010-Q	141915	2014500977	CIG-1915-Q	2023	2024709500	HG-2023-Q
111015-015	2025040415	SH-5015-Q	141917 (22875)			2115	2025041000	SH-2115-Q
111228-003	2024701403	VPCL-2283-Q		2014600148	IG-1917-Q	2025-1	2014502626	VCG-6-1-Q
111228-004	2024701404	VPCH-2284-Q	141918	1627413046	HIG-1918-Q	2115A	2025041001	SH-2115A-Q
111229-001	2024701501	VPHL-2291-Q	1471		FW-1471-Q	2115B	2025041002	SH-2115B-Q
111274-001	2024701601	VPHH-2741-Q	1478 (1478-1)	2024805800	CW-1478-Q	2123	2024710000	OP-2123-Q
111274-002	2024701602	VPHH-2742-Q	1498	2025040600	SH-1498-Q	2124	2024710100	HG-2124-Q
111541		VPC-1541-Q	1498A	2025040601	SH-1498A-Q	2129	2024810000	WAS-2139-Q
111542	2024701800	VPH-1542-Q	1498B	2025040602	SH-1498B-Q	2155	2024710400	OP-2155-Q
111575	2024701900	MG-1575-Q	1498C	2025040603	SH-1498C-Q	2156	2024710500	HG-2156-Q
111782	2024702000	CB-1782-Q	1498D		SH-1498D-Q	22531	2014502674	FPG-2531-Q
112390-001	2024702101	VPCL-3901-Q	1592	2024706300	BC-1592-Q	22750-1	2014502710	CIG-7501-Q
112390-002	2024702102	VPCH-3902-Q	1593	2024706400	CB-1593-Q	22865-1 (22865)		GKT-2865-Q
112591	2024702200	CB-2591-Q	1594	2024706500	CB-1594-Q	23204	2014502716	GCG-3204-Q
112592	2024702300	BC-2592-Q	1594-1	2024706600	CB-1594-1-Q	23218	2014502721	OCG-3218-Q
112792		VPH-2792-Q	1598	2024706700	IP-1598-Q	23230-1	2014502722	HSG-2301-Q
112793	2024702600	VPC-2793-Q	1598-1		IP-1598-1-Q	23265	2014502723	GKT-3265-Q
113334	2024702700	VPC-3334-Q	1599	2024706900	IP-1599-Q	2344	2024710600	CB-2344-Q
113617	2024703300	VPC-3617-Q	160019		HG-0019-Q	2346	2024710700	FL-2346-Q
113618-002	2024703400	VPH-36182-Q	160020		DPG-0020-Q	23548	2014502726	OCG-3548-Q
113618-003	2024703500	VPH-36183-Q	160031		XHG-0031-Q	2530	2014502673	CPG-2530-Q
113755	2024703800	BCG-3755-Q	160041		CP-0041-Q	2550	2024711100	HG-2550-Q
113943	2024704300	CB-3943-Q	160054		HHG-0054-Q	2693	2024711200	VPC-2693-Q
114005	2024704500	VPC-4005-Q	160056		WP-0056-Q	2694	2024711300	VPH-2694-Q
114201 (114201-001)			160074	2024707800	HG-0074-Q	2695	2024711400	VSGS-2695-Q
	2024704600	VPH-4201-Q	160076	2024707900	FL-0076-Q	3100	2024711500	OT-3100-Q
114440-L23		SCR-L23-Q	1644	2025040800	SH-1644-Q	3975		GKT-3975-Q
114583	2024704700	BC-4583-Q	1644A	2025040801	SH-1644A-Q	4196	2024711800	VSGL-4196-Q
114584	2024704900	CB-4584-Q	1644B	2025040802	SH-1644B-Q	5071		HG-5071-Q
114585	2024705000	VPCL-4585-Q	1644C	2025040803	SH-1644C-Q	5463		UB-5463-Q
114586	2024705100	VPHL-4586-Q	1644D	2025040804	SH-1644D-Q	5494	2024712000	BC-5494-Q
114599	2024705200	VPCH-4599-Q	1831	2024708000	BC-1831-Q	5494-1	2024712100	BC-5494-1-Q
114918	2024705300	BCG-4918-Q	1832	2025040900	SH-1832-Q	5502	2024712200	BC-5502-Q
123091	2014500029	ING-3091-Q	1832A	2025040901	SH-1832A-Q	5502-1	2024712300	BC-5502-1-Q
125577-001	1627413018	EPD-7701-Q	1832B	2025040902	SH-1832B-Q	5694	2024712400	IC-5694-Q
125689	2014500176	EPG-5689-Q	1832C	2025040903	SH-1832C-Q	5695	2024712500	HG-5695-Q
1260		CB-1260-Q	1832D	2025040904	SH-1832D-Q			



INDEPENDENT COMPONENTS CORP.

528 Hempstead Turnpike, West Hempstead, NY 11552 • Phone 516-481-5100 FAX 516-481-5550
www.iccparts.com sales@iccparts.com • Toll Free: Phone 877-ICC-ICC3 FAX 800-814-8883

QUINCY

QUINCY PART NO.	I.C.C. PART NO.	QUINCY PART NO.	I.C.C. PART NO.	QUINCY PART NO.	I.C.C. PART NO.
5696.....	HG-5696-Q	62752024714700	IS-6275-Q	6679-1... 2024716400	OT-6679-1-Q
56972024712600	IC-5697-Q	62942025041100	SH-6294-Q	6680 2024716500	HG-6680-Q
5698 (1941) ...2024712700	HG-5698-Q	6294A.....2025041101	SH-6294A-Q	6680-1... 2024716600	HG-6680-1-Q
5699.....	HG-5699-Q	6294B2025041102	SH-6294B-Q	6882 2024807000	CW-6882-Q
5700.....2024712900	IC-5700-Q	6294C.....2025041103	SH-6294C-Q	6882-1.....	VCG-4-1-Q
5700-1.....2024713000	IC-5700-1-Q	6294D.....2025041104	SH-6294D-Q	7000 2024716900	HG-7000-Q
5701.....	HG-5701-Q	63122024714800	BC-6312-Q	7000-1... 2024717000	HG-7000-1-Q
5702.....2024713100	IC-5702-Q	6312-1... 2024714900	BC-6312-1-Q	7229.....	HG-7229-Q
5702-1.....2024713200	IC-5702-1-Q	63132024715000	OP-6313-Q	7398-1.....	VCG-5-1-Q
5703.....2024713300	HG-5703-Q	63182024715200	HG-6318-Q	7403 2024717500	HG-7403-Q
5826.....2024713400	HG-5826-Q	63352024715300	HG-6335-Q	7403-1... 2024717600	HG-7403-1-Q
5826-1.....2024713500	HG-5826-1-Q	6335-1... 2024715400	HG-6335-1-Q	7449.....	IP-7449-Q
5827.....2024713600	CB-5827-Q	65562025041200	SH-6556-Q	7451 2024717800	HG-7451-Q
5827-1.....2024713700	CB-5827-1-Q	6556A.....2025041201	SH-6556A-Q	7458 2024717900	IC-7458-Q
5827-2.....2024713800	CB-5827-2-Q	6556B.....2025041202	SH-6556B-Q	7515 2024718000	HG-7515-Q
5827-3.....2024713900	CB-5827-3-Q	65572024715600	CB-6557-Q	7746 2024718200	HG-7746-Q
5828.....	FL-5828-Q	65582024715700	IP-6558-Q	9073 2024718700	MC-9073-Q
5828-1.....2024714100	FL-5828-1-Q	6560.....	HG-6560-Q	9108.....	IP-9108-Q
5860.....2024714200	IC-5860-Q	65612024715800	HG-6561-Q	9109 2024719000	CB-9109-Q
5860-1.....2024714300	IC-5860-1-Q	65722024716000	HG-6572-Q	9137.....	HG-9137-Q
5861.....2024714400	HG-5861-Q	66782024716100	IP-6678-Q	9604 2024719200	HG-9604-Q
6274.....2024714500	BC-6274-Q	6678-1.....	IP-6678-1-Q		
6274-1.....2024714600	BC-6274-1-Q	6679.....	OT-6679-Q		

Note: We can make most gaskets in other materials, such as Graphoil or Compressed Graphite. Call for information.

MUFFLERS

21615.....2013306113	MUF-1615-Q	22014-002.....2013201433	MUF-20142-Q
22014.....1627456342	MUF-2014-Q	22014-003.....2013201434	MUF-20143-Q
22014-001.....2013201432	MUF-20141-Q		

SOLENOID VALVES

22325.....2014706313	SVAL-2325-Q	124969-005.....2014706377	SVAL-9695-Q
120496-004.....2014706337	SVAL-4964-Q		

VERTICAL CHECK VALVES

110921-155.....2023913302	VCVP-1155-Q	110965-112.....2023913508	VCVP-5112-Q
110921-177.....2023913306	VCVP-1177-Q	110965-205.....2023913501	VCVP-5205-Q
110921-233.....2023913309	VCVP-1233-Q	110965-207.....2023913502	VCVP-5207-Q
110921-255.....2023913310	VCVP-1255-Q	110965-210.....2023913505	VCVP-5210-Q
110921-275.....2023913311	VCVP-1275-Q	111491.....2023914100	VCVP-1491-Q
110965-012.....2023913507	VCVP-5012-Q	114800-075.....2023916301	VCVP-0075-Q
110965-107.....2023913503	VCVP-5107-Q	114800-100.....2023916302	VCVP-0100-Q
110965-110.....2023913506	VCVP-5110-Q	115260.....2023916700	VCVP-5260-Q
		116209-100.....2023917701	VCVP-9100-Q

ELECTRONIC DRAIN VALVES & DRAIN COCK

111520-025 (111520H025).....2023914500	EDV-025-Q	2713.....2023907900	DC-2713-Q
111520-050 (111520H050).....	EDV-050-Q		

THROTTLE CONTROLS

113143-001.....2025008200	TCL-3001-Q
113143-003.....2025008300	TCL-3003-Q
113143-004.....2025008400	TCL-3004-Q



Full money back Guarantee if not satisfied

Independent Components Corp. is an independent supplier of compressor replacement parts and is not affiliated with manufacturers mentioned in this catalog. The original manufacturer's product description and/or part number is given for reference only.



INDEPENDENT COMPONENTS CORP.

528 Hempstead Turnpike, West Hempstead, NY 11552 • Phone 516-481-5100 FAX 516-481-5550
www.iccparts.com sales@iccparts.com • Toll Free: Phone 877-ICC-ICC3 FAX 800-814-8883

QUINCY

ROTARY SCREW AND VANE COMPRESSOR PARTS

QUINCY PART NO.	I.C.C. PART NO.	QUINCY PART NO.	I.C.C. PART NO.	QUINCY PART NO.	I.C.C. PART NO.
COUPLING SEALS					
120389.....	2013200134	FMJT-0389-Q	140509G250.....	1627413039	FMG-G250-Q
120790.....	2013200142	FMJT-0790-Q	140509G300.....	1627413040	FMG-G300-Q
121798.....	2014200023	FMG-1798-Q	140509G400.....	1627413041	FMG-G400-Q
121820.....	2014200024	FMG-1820-Q	140509G600.....	2013200651	FMG-G600-Q
121821.....	2014200025	FMG-1821-Q			
121822.....	2014200026	FMG-1822-Q	140509S100.....	2013200653	FMJT-S100-Q
121823.....	2014200027	FMG-1823-Q	140509S125.....	2013200654	FMJT-S125-Q
121824.....	1627413008	FMG-1824-Q	140509S150.....	2013200655	FMJT-S150-Q
121825.....	2014200028	FMG-1825-Q	140509S200.....	1627450152	FMJT-S200-Q
122239.....	2013200200	FMJT-2239-Q	140509S250.....	2013200656	FMJT-S250-Q
129155.....	2013200566	FMG-9155-Q	140509S300.....	1627450153	FMJT-S300-Q
129156.....	2013200568	FMG-9156-Q	140509S400.....	1627450154	FMJT-S400-Q
129157.....	2013200570	FMG-9157-Q	140509S600.....	2013200658	FMJT-S600-Q
129158.....	2013200572	FMG-9158-Q	20089.....	2013201359	FMJT-0089-Q
129159.....	2013200574	FMG-9159-Q	21702.....	2013201428	FMJT-1702-Q
129160.....	2013200576	FMG-9160-Q	23258.....	2013201465	FMJT-3258-Q
129161.....	2013200577	FMG-9161-Q	23278.....	2013201470	FMJT-3278-Q
140509G075.....		FMG-G075-Q	23285.....	2013201471	FMJT-3285-Q
140509G100.....	2013200646	FMG-G100-Q	23286.....	2013201472	FMJT-3286-Q
140509G125.....	2013200647	FMG-G125-Q	23288.....	2013201473	FMJT-3288-Q
140509G150.....	2013200648	FMG-G150-Q	23821.....	2013201485	FMJT-3821-Q
140509G200.....	2013200649	FMG-G200-Q	23971.....	2013201490	FMJT-3971-Q

OTHER ROTARY SCREW PARTS

112363.....	2022123501	KIT-2363-Q	128341.....	2013100147	GKT-8341-Q
112363-001.....	2022123502	KIT-23631-Q	128691-002.....	2013900217	MPCV-6912-Q
122118.....	2012100149	KIT-2118-Q	128691-051.....	1627456072	VRK-1051-Q
122376.....	2014600012	IVG-2376-Q	128691-052.....	1627456073	VRK-1052-Q
122379.....	2014600015	SPG-2379-Q	128770-367.....	2014200362	BELT-0367-Q
123068.....	2014500028	IVG-3068-Q	128810.....	1627456081	DPH-8810-Q
123092.....	1627408001	SPG-3092-Q	128826.....	2013900236	BDVAL-826-Q
123549-002.....	2014600032	IVG-5492-Q	128826-1.....	2013900237	BDVAL-8261-Q
123549-003.....	1627413013	IVG-5493-Q	128826-2.....	2013900239	BDVAL-8262-Q
123549-006.....	1627413015	CG-5496-Q	128861.....	2014600117	HSG-8861-Q
122377.....	2014600013	IVG-2377-Q	128994.....	1627408008	SPG-8994-Q
123467.....	2012100202	KIT-3467-Q	129213.....	2012100610	KIT-9213-Q
123532.....	2013301246	AMG-3532-Q	141243.....	2013100273	RES-1243-Q
124349-010.....	2014701665	ELB-9010-Q	141258.....	1627413043	IVG-1258-Q
124743.....	2013301629	KIT-4743-Q	141608.....	1627413044	IVG-1608-Q
124970.....	2014600040	SPG-4970-Q	142051-010.....	2012101356	OKIT-5110-Q
125010.....	2014600041	SPG-5010-Q	160122.....	1627456334	BRE-0122-Q
12501-4.....		MPCV-2501-4-Q	20069.....	2024709500	GKT-0069-Q
126460-200 (126460-200).....	2014600199	PSTC-200-Q	20071.....	2014502628	OPG-0071-Q
126460-350 (126460-350).....	2014600200	PSTC-350-Q	20616.....	2014702014	CW-20616-Q
126460-558 (126460-558).....	2014600201	PSTC-558-Q	21807.....	2012102364	KIT-1807-Q
126461.....	2014600060	SPG-6461-Q	21969-2.....	1627404081	REG-9629-Q
126649.....	1627408002	SPG-6649-Q	22532.....	2014502675	DG-2532-Q
127641.....	2014600093	IVG-7641-Q	22709-227.....	2013306164	BAS-9227-Q
128085-563.....	2014200220	BELT-5563-Q	22722-2.....	2014502708	OFG-22722-Q

AIR-OIL SEPARATORS - AIR FILTERS OIL FILTERS and AIR FILTER ASSEMBLIES AND INLINE FILTERS

See complete listing in FILTERS AIR-OIL SEPARATORS Section



INDEPENDENT COMPONENTS CORP.

528 Hempstead Turnpike, West Hempstead, NY 11552 • Phone 516-481-5100 FAX 516-481-5550
www.iccparts.com sales@iccparts.com • Toll Free: Phone 877-ICC-ICC3 FAX 800-814-8883

LE ROI DRESSER – WESTINGHOUSE

LED PART NO.	I.C.C. PART NO.	LED PART NO.	I.C.C. PART NO.	LED PART NO.	I.C.C. PART NO.
--------------	-----------------	--------------	-----------------	--------------	-----------------

VALVE ASSEMBLIES for MODELS 66A to 99A & 440A to 990A with SEAT GASKETS

15-1521	VAL-1521-LED	15-1535	VAL-1535-LED	15-1940	VAL-1940-LED
15-1522	VAL-1522-LED	15-1538 (15-1532)		15-1941	VAL-1941-LED
15-1523	VAL-1523-LED	15-1536 (15-1565)	VAL-1538-LED	15-1942	VAL-1942-LED
15-1524	VAL-1524-LED	15-1539 (15-1533)		15-1943	VAL-1943-LED
15-1534	VAL-1534-LED	15-1537 (15-1567)	VAL-1539-LED		

VALVE SETS WITH GASKETS (All valves for one machine) Order *Valve Set Head Overhaul kits* if felts and O-rings are required Pg 5.

Model 66A	VSET-66A-LED	Model 440A	VSET-440A-LED	Model 770A	VSET-770A-LED
Model 88A	VSET-88A-LED	Model 550A	VSET-550A-LED	Model 880A and	
Model 99A	VSET-99A-LED	Model 660A	VSET-660A-LED	Model 990A	VSET-880A-LED

VALVE COMPONENTS (for VALVES above)

VALVE DISCS & PLATES

220-148-55	DISC-55-LED
220-148-5	DISC-5-LED
220-148-34 (24-746) .	DISC-34-LED
220-148-18	
(220-148-107) (220-148-93)	DISC-18-LED
220-148-20 (220-148-106)	PLT-20-LED

RING GUIDES

220-148-82	RG-1-LED
220-148-96 (220-148-21) .	RG-2-LED
220-148-57	RG-3-LED
220-148-48	RG-4-LED
220-148-36	RG-5-LED

VALVE SPRINGS

220-148-19 (220-148-94) .	SPG-19-LED
220-148-28 (220-148-104)	SPG-28-LED
220-148-35	SPG-35-LED
220-148-42	SPG-42-LED
220-148-47	SPG-47-LED
220-148-56 (220-148-75) .	SPG-56-LED
220-148-63	SPG-63-LED
220-148-83	SPG-83-LED

LOCATING PINS

220-148-4	LPIN-1-LED
220-148-97 (220-148-22) .	LPIN-2-LED
220-148-37	LPIN-4-LED

VALVE CAP GASKETS (Flat Copper)

H16-1531 (H16-2123)	VCG-1-LED
H16-1531-1 (H16-2123-1)	VCG-2-LED
H16-1531-2 (H16-2123-2)	VCG-3-LED
H16-1531-3 (H16-2123-3)	VCG-4-LED
H16-1531-4 (H16-2123-4)	VCG-5-LED

VALVE SEAT GASKETS

H16-1353	VSG-4-WE
H16-1466	VSG-3D-WE
16-1876	VSG-1876-LED
16-1878	VSG-1878-LED

VALVE ASSEMBLIES – with SEAT GASKETS without Pushrod Assembly (Unloaders)

STANDARD STEEL VALVES

AH15-1291-1	VAL-1S-WE
AH15-1291	VAL-1D-WE
3AH15-1256-1(AH15-1295-1)	VAL-2S-WE
AH15-1255 (AH15-1295) ..	VAL-2D-WE

1AH15-1251-1(AH15-1289-1)	VAL-3S-WE
1AH15-1251 (AH15-1289)	VAL-3D-WE
1AH15-1253-1	VAL-4S-WE
1AH15-1253	VAL-4D-WE

STAINLESS STEEL VALVES

AH15-1291-1 (AH15-589-1)	VAL-1S-ST-WE
AH15-1291 (AH15-793-1)	VAL-1D-ST-WE
3AH15-1256-1 (AH15-586-1)	VAL-2S-ST-WE
AH15-1255 (AH15-623-4)	VAL-2D-ST-WE

INLET VALVE ASSEMBLIES – with SEAT GASKETS and with Pushrod Assembly (Unloaders)

STANDARD STEEL VALVES

1AH15-1291-1	VAL-1S-LED
1AH15-1256-1 (1AH15-1295-1)	VAL-2S-LED

AH15-1251-1 (1AH15-1289-1)	VAL-3S-LED
AH15-1253-1	VAL-4S-LED

STAINLESS STEEL VALVES

.....	VAL-1S-ST-LED
.....	VAL-2S-ST-LED

CALL for interchanges for older part numbers of Westinghouse valves.

VALVE SETS WITH GASKETS (All valves for one machine) Order *Valve Set Head Overhaul kits* if felts and O-rings are required. (Page LED-5). Call for other compressors

Model 20	VSET-20-LED
Model 40	VSET-40-LED
Model 60	VSET-60-LED

Model 400 & 2AVC & 3YC Start Stop	VSET-400-WE
Model 400 & 2AVC Constant Run	VSET-400-LED
Model 500 & 3VC Constant Run	VSET-500-LED

Model 100 & 1VC Start Stop	VSET-100-WE
Model 100 & 1VC Constant Run	VSET-100-LED
Model 100 & 1VC Start Stop Stainless Steel	VSET-100-ST-WE
Model 100 & 1VC Constant Run Stainless Steel	VSET-100-ST-LED

Model 600 & 3AVC Constant Run	VSET-600-LED
Model 700 & 4WC Constant Run	VSET-700-LED
Model 800 & 4AWC Constant Run	VSET-800-LED
Model 900 & 5AWC Constant Run	VSET-900-LED

Model 200 & 1AVC Start Stop	VSET-200-WE
Model 200 & 1AVC Constant Run	VSET-200-LED
Model 300 & 2VC Start Stop	VSET-300-WE
Model 300 & 2VC Constant Run	VSET-300-LED

Model 1BYC Start Stop	VSET-1BYC-WE
Model 2YV Start Stop	VSET-2YC-WE
Model 3YC Start Stop	VSET-3YC-WE
Model K375 Start Stop	VSET-K375-LED

We sell only to resale accounts – We do not sell to the end user

Independent Components Corp. is an independent supplier of compressor replacement parts and is not affiliated with manufacturers mentioned in this catalog. The original manufacturer's product description and/or part number is given for reference only.



INDEPENDENT COMPONENTS CORP.

528 Hempstead Turnpike, West Hempstead, NY 11552 • Phone 516-481-5100 FAX 516-481-5550
 www.iccparts.com sales@iccparts.com • Toll Free: Phone 877-ICC-ICC3 FAX 800-814-8883

LE ROI DRESSER – WESTINGHOUSE

WESTINGHOUSE TUNE UP KITS TUK's with Wearing Valve Parts. To simplify ordering parts for single machine repair, **TUNE UP KITS** have been assembled which include gasket kit with oil seal, piston ring kit, intake filter pads, except as noted, valve discs and springs to recondition one YC, YS or G compressor.

VALVE SET TUNE UP KITS VSTUK's with Complete Replacement Valves. **VSTUK's** have been assembled which include all parts in **TUK's**, with Complete Replacement Valves instead of Wearing Valve Parts. For compressors with suction unloading valves order the **LED VSTUK**. Order the **WE VSTUK** for Plain Suction Valves.

Notes	I.C.C. PART NO.	WE VSTUK	LED VSTUK
Not including Filter Pads	TUK-1AYC-WE	VSTUK-1AYC-WE	
Not including Filter Pads	TUK-1BYC-WE	VSTUK-1BYC-WE	VSTUK-1BYC-LED
Not including Filter Pads	TUK-2YC-WE	VSTUK-2YC-WE	VSTUK-2YC-LED
	TUK-3YC-WE	VSTUK-3YC-WE	VSTUK-3YC-LED
	TUK-4YC-WE	VSTUK-4YC-WE	
	TUK-5YC-WE	VSTUK-5YC-WE	VSTUK-5YC-LED
	TUK-5YC3-WE	VSTUK-5YC3-WE	VSTUK-5YC3-LED
Not including Filter Pads and oil seal	TUK-2G-WE	VSTUK-2G-WE	VSTUK-2G-LED
	TUK-2GA-WE	VSTUK-2GA-WE	
		VSTUK-2GA-ST-WE	
	TUK-5G-WE	VSTUK-5G-WE	VSTUK-5G-LED
Not including Filter Pads	TUK-1BYS-WE	VSTUK-1BYS-WE	VSTUK-1BYS-LED
Not including Filter Pads	TUK-1XBYS-WE	VSTUK-1XBYS-WE	
Not including Filter Pads	TUK-2YS-WE	VSTUK-2YS-WE	VSTUK-2YS-LED
	TUK-3YS-WE	VSTUK-3YS-WE	VSTUK-3YS-LED
	TUK-4YS-WE	VSTUK-4YS-WE	

HEAD OVERHAUL KITS HOK's with Wearing Valve Parts To simplify ordering parts for single machine valve and cylinder head repair, **HEAD OVERHAUL KITS** have been assembled with all necessary valve discs, valve springs, intake filter pads, except as noted, valve seat gaskets, intercooler and head gaskets to recondition valves for one YC, YS or G compressor.

VALVE SET HEAD OVERHAUL KITS VSHOK's with Complete Replacement Valves. **VSHOK's** have been assembled which include all parts in **HOK's**, with Complete Replacement Valves instead of Wearing Valve Parts. For compressors with suction unloading valves order the **LED VSHOK**. Order the **WE VSHOK** for Plain Suction Valves.

Notes	I.C.C. PART NO.	WE VSTUK	LED VSTUK
Not including Filter Pads	HOK-1AYC-WE	VSHOK-1AYC-WE	
Not including Filter Pads	HOK-1BYC-WE	VSHOK-1BYC-WE	VSHOK-1BYC-LED
Not including Filter Pads	HOK-1YC-WE	VSHOK-1YC-WE	VSHOK-1YC-LED
Not including Filter Pads	HOK-2YC-WE	VSHOK-2YC-WE	VSHOK-2YC-LED
	HOK-3YC-WE	VSHOK-3YC-WE	VSHOK-3YC-LED
	HOK-4YC-WE	VSHOK-4YC-WE	
5YC & 5YC3	HOK-5YC-WE	VSHOK-5YC-WE	VSHOK-5YC-LED
Not including Filter Pads 2G & 2GA	HOK-2G-WE	VSHOK-2G-WE	VSHOK-2G-LED
Not including Filter Pads	HOK-5G-WE	VSHOK-5G-WE	VSHOK-5G-LED
Not including Filter Pads	HOK-1XBYS-WE	VSHOK-1XBYS-WE	
Not including Filter Pads	HOK-1BYS-WE	VSHOK-1BYS-WE	VSHOK-1BYS-LED
Not including Filter Pads	HOK-2YS-WE	VSHOK-2YS-WE	VSHOK-2YS-LED
	HOK-3YS-WE	VSHOK-3YS-WE	VSHOK-3YS-LED
	HOK-4YS-WE	VSHOK-4YS-WE	
	HOK-5YS-WE	VSHOK-5YS-WE	

Kits may be available for other similar compressors. Please call for details.

LED PART NO.	I.C.C. PART NO.	LED PART NO.	I.C.C. PART NO.	LED PART NO.	I.C.C. PART NO.
-----------------	--------------------	-----------------	--------------------	-----------------	--------------------

VALVE COMPONENTS for WE VALVES

VALVE RINGS

H15-603-1.....	DISC-1-WE
H15-604.....	DISC-2-WE
H15-656.....	DISC-3-WE
H15-614.....	DISC-4-WE
H15-615.....	DISC-5-WE

VALVE SPRINGS

H24-633.....	SPG-1-WE
H24-634.....	SPG-2-WE
H24-1066.....	SPG-3-WE
H24-629.....	SPG-4-WE
H24-630.....	SPG-5-WE

VALVE SEAT GASKETS

H16-1464.....	VSG-1-WE
H16-1465.....	VSG-2-WE
H16-1466.....	VSG-3D-WE
H16-1467.....	VSG-3S-WE
H16-1353.....	VSG-4-WE



INDEPENDENT COMPONENTS CORP.

528 Hempstead Turnpike, West Hempstead, NY 11552 • Phone 516-481-5100 FAX 516-481-5550
www.iccparts.com sales@iccparts.com • Toll Free: Phone 877-ICC-ICC3 FAX 800-814-8883

LE ROI DRESSER – WESTINGHOUSE

LED PART NO.	I.C.C. PART NO.	LED PART NO.	I.C.C. PART NO.	LED PART NO.	I.C.C. PART NO.
GASKET KITS WITH VALVE SEAT GASKETS & OIL SEAL					
AH204-186	GK-2G-WE †	AH204-189	GK-1BYS-WE	AH204-305 (1A204-305) ..	GK-500-LED
.....	GK-2GA-WE †	GK-1XBYS-WE	AH204-392 (1A204-392) ..	GK-600-LED
AH204-185	GK-5G-WE	AH204-307 (1A204-307) ..	GK-700-LED
.....	GK-1AYC-WE	AH204-191	GK-2YS-WE	AH204-393 (1A204-393) ..	GK-800-LED
AH204-188	GK-1BYC-WE	H204-193	GK-3YS-WE	A204-546 (1A204-546)	GK-900-LED
.....	H204-195 (AH204-195) ...	GK-4YS-WE	GK-K350-LED
AH204-190	GK-2YC-WE	AH204-197	GK-5YS-WE	A204-1109	GK-K375-LED
AH204-192	GK-3YC-WE	AH204-390	GK-200-LED
AH204-194	GK-4YC-WE	AH204-303	GK-300-LED
AH204-196	GK-5YC-WE	AH204-391 (1A204-391) ..	GK-400-LED

† 2G and 2GA Gasket Kit ONLY Sold Without Oil Seal

Kits and other parts are available for TRU SERIES and other similar compressors. CALL for details.

INDIVIDUAL GASKETS

H16-616	BR-616-LED	H16-1403	REC-1403-WE	H16-1442	EC-1442-WE
H16-1323	SH-1323-WE	H16-1404	FEC-1404-WE	H16-1444	EC-1444-WE
H16-1324	SH-1324-WE	H16-1405	IC-1405-WE	H16-1445	SP-1445-WE
H16-1325	SH-1325-WE	H16-1408	HGH-1408-WE	H16-1446	SP-1446-WE
H16-1326	SH-1326-WE	H16-1409	HG-1409-WE	H16-1447	IC-1447-WE
H16-1342	CB-1342-LED	H16-1411	HG-1411-WE	H16-1451	SC-1451-WE
H16-1367	CB-1367-LED	H16-1413	CB-1413-WE	H16-1452	IC-1452-WE
H16-1368	HG-1368-LED	H16-1414	CB-1414-WE	H16-1462	CB-1462-WE
H16-1369	HG-1369-LED	H16-1415	FEC-1415-WE	H16-1469	CB-1469-WE
H16-1370	FL-1370-LED	H16-1416	REC-1416-WE	H16-1471	HG-1471-WE
H16-1379	CB-1379-LED	H16-1427-1	REC-1427-WE	H16-1473	EC-1473-WE
H16-1380	HG-1380-LED	H16-1428	HGL-1428-WE	H16-1480	IC-1480-LED
H16-1381 (16-1969) ..	HG-1381-LED	H16-1430	HGH-1430-WE	H16-1481	IC-1481-LED
H16-1382	HG-1382-LED	H16-1432	FEC-1432-WE	H16-1482	HG-1482-LED
H16-1384	IC-1384-LED	H16-1433	IC-1433-WE	H16-1877	FL-1877-LED
H16-1385	FL-1385-LED	H16-1434	HG-1434-WE	16-2052	CB-2052-LED
H16-1388	IC-1388-LED	H16-1435	HGL-1435-WE	16-2053	CG-2053-LED
H16-1390	CB-1390-LED	H16-1437	HGH-1437-WE	16-2054	HG-2054-LED
H16-1391	IC-1391-LED	H16-1438	HGH-1438-WE	16-2058	HG-2058-LED
H16-1400	HGH-1400-WE	H16-1439	HGL-1439-WE	16-2066	RET-2066-LED
H16-1401	CB-1401-WE	H16-1440-3	REC-1440-WE	16-2067	RETG-2067-LED
H16-1402	HGL-1402-WE	H16-1441	FEC-1441-WE

Gaskets and other parts are available for TRU SERIES and other similar compressors. CALL for details.

INDIVIDUAL O-RINGS, SHIMS and SHIM SETS

H125-157	ORG-157-LED	125-777	ORG-777-LED	H22-587-2	SH-587-2-LED
125-186	ORG-186-LED	H125-778	ORG-778-LED	H22-590	SH-590-LED
H125-195	ORG-195-LED	125-789-23	ORG-78923-LED	H22-590-1	SH-590-1-LED
125-244	ORG-244-LED	125-826-8	ORG-8268-LED	H22-590-2	SH-590-2-LED
H125-262	ORG-262-LED	125-955	ORG-955-LED	H22-592	SH-592-LED
H125-263	ORG-263-LED	125-955-4	ORG-9554-LED	H22-592-1	SH-592-1-LED
125-268	ORG-268-LED	125-955-27	ORG-95527-LED	H22-592-2	SH-592-2-LED
H125-276	ORG-276-LED	H22-573	SH-573-LED	Shim Set of 7 for 1 compressor	SS-573-LED
H125-277	ORG-277-LED	H22-573-1	SH-573-1-LED	Shim Set of 7 for 1 compressor	SS-587-LED
H125 280 to H125-287 see Page LED-5	H22-573-2	SH-573-2-LED	Shim Set of 7 for 1 compressor	SS-590-LED
.....	H22-587	SH-587-LED	Shim Set of 7 for 1 compressor	SS-592-LED
.....	H22-587-1	SH-587-1-LED

Remember! You risk nothing to check the quality of our products



INDEPENDENT COMPONENTS CORP.

528 Hempstead Turnpike, West Hempstead, NY 11552 • Phone 516-481-5100 FAX 516-481-5550
 www.iccparts.com sales@iccparts.com • Toll Free: Phone 877-ICC-ICC3 FAX 800-814-8883

LE ROI DRESSER

TUNE UP KITS TUK's with Wearing Valve Parts - To simplify ordering parts for single machine repair, **TUNE UP KITS** have been assembled which include Gasket Kit with oil seal, Piston Ring Kit, Unloader Repair Kit, intake filter element, insert bearings, valve discs, springs and locating pins (for A machines), unloader felts and "O" rings, to recondition one compressor.

VALVE SET TUNE UP KITS VSTUK's with Complete Replacement Valves. **VSTUK's** have been assembled which include all parts in TUK's, with Complete Replacement Valves instead of Wearing Valve Parts. For compressors with suction unloading valves order the **LED VSTUK**. or **WE VSTUK** for Plain Suction Valves.

UNDERSIZE BEARING KITS If you want any of the kits assembled with Undersize Bearings, insert the letter "U" before the "LED" in the **TUK** or **VSTUK** part number for .010 Undersize bearings.

Models	I.C.C. PART NO.	.010 Under	VSTUK	VSTUK
20 & 1AVS	TUK-20-LED	TUK-20U-LED		VSTUK-20-LED
40 & 2AVS	TUK-40-LED	TUK-40U-LED		VSTUK-40-LED
44A	TUK-44A-LED	TUK-44AU-LED		VSTUK-44A-LED
55A	TUK-55A-LED	TUK-55AU-LED		VSTUK-55A-LED
60 & 3AVS	TUK-60-LED	TUK-60U-LED		VSTUK-60 LED
66A ONLY	TUK-66A-LED	TUK-66AU-LED		VSTUK-66A-LED
80 & 4AVS	TUK-80-LED	TUK-80U-LED		VSTUK-80-LED
88A ONLY	TUK-88A-LED	TUK-88AU-LED		VSTUK-88A-LED
99A ONLY	TUK-99A-LED	TUK-99AU-LED		VSTUK-99A-LED
99AX ONLY	TUK-99AX-LED	TUK-99AX-LED		VSTUK-99AX-LED
100 & 1VC	TUK-100-LED	TUK-100U-LED	VSTUK-100-WE	VSTUK-100-LED
100 & 1VC Stainless Valves	TUK-100-ST-LED	TUK-100U-ST-LED	VSTUK-100-ST-WE	VSTUK-100-ST-LED
200 & 1AVC	TUK-200-LED	TUK-200U-LED	VSTUK-200-WE	VSTUK-200-LED
300 & 2VC	TUK-300-LED	TUK-300U-LED	VSTUK-300-WE	VSTUK-300-LED
400 & 2AVC	TUK-400-LED	TUK-400U-LED	VSTUK-400-WE	VSTUK-400-LED
440A ONLY	TUK-440A-LED	TUK-440AU-LED		VSTUK-440A-LED
500 & 3VC	TUK-500-LED	TUK-500U-LED		VSTUK-500 LED
550A ONLY	TUK-550A-LED	TUK-550AU-LED		VSTUK-550A-LED
600 & 3AVC	TUK-600-LED	TUK-600U-LED		VSTUK-600-LED
660A ONLY	TUK-660A-LED	TUK-660AU-LED		VSTUK-660A-LED
700 & 4WC	TUK-700-LED	TUK-700U-LED		VSTUK-700-LED
770A ONLY	TUK-770A-LED	TUK-770AU-LED		VSTUK-770A-LED
800 & 4AWC	TUK-800-LED	TUK-800U-LED		VSTUK-800-LED
880A ONLY	TUK-880A-LED	TUK-880AU-LED		VSTUK-880A-LED
900 & 5AWC	TUK-900-LED	TUK-900U-LED		VSTUK-900-LED
990A ONLY	TUK-990A-LED	TUK-990AU-LED		VSTUK-990A LED
K350	TUK-K350-LED	TUK-K350U-LED		VSTUK-K350-LED
K375	TUK-K375-LED	TUK-K375U-LED		VSTUK-K375-LED
TRU5	TUK-TRU5-LED	do not use Insert Bearings		VSTUK-TRU5-LED
TRU7.5	TUK-TRU7.5-LED	do not use Insert Bearings		VSTUK-TRU7.5-LED
TRU10	TUK-TRU10-LED	do not use Insert Bearings		VSTUK-TRU10-LED

LED PART NO.	I.C.C. PART NO.	LED PART NO.	I.C.C. PART NO.	LED PART NO.	I.C.C. PART NO.
FILTER PADS		VALVE SCREWS & LOCKING NUTS		BALL VALVE SEAT	
H20-715.....	PAD-2-WE	H34-571-1.....	VSCR-1-WE	H15-655.....	BVS-1-WE
H43-520.....	PAD-3-WE	H34-569.....	VSCR-2-WE	SAFETY VALVES	
H20-710.....	PAD-4-WE	H53-406.....	LNUT-1-WE	2AH15-646.....	ISV-70-WE
H20-716.....	PAD-5-WE	H53-406-1.....	LNUT-2-WE	H15-1329.....	SV-1329-LED
				H15-1332.....	SV-1332-LED

MAIN BEARINGS					
181-151.....	RB-151-CU-LED	H181-262.....	RB-262-CU-LED	181-374.....	RB-374-CU-LED
181-238.....	RB-238-CU-LED	H181-265.....	RB-265-CO-LED	181-417.....	RB-417-CO-LED
181-247.....	RB-247-CO-LED	H181-266.....	RB-266-CU-LED	181-433.....	RB-433-CO-LED
181-248.....	RB-248-CO-LED	H181-269.....	RB-269-CU-LED	H181-523.....	RB-523-CU-LED
181-250.....	RB-250-CU-LED	H181-270.....	RB-270-CU-LED	H181-524.....	RB-524-CO-LED
H181-261.....	RB-261-CO-LED	181-373.....	RB-373-CO-LED	181-587.....	RB-587-CO-LED
				220-133-2.....	RB-133-2-CU-LED



INDEPENDENT COMPONENTS CORP.

528 Hempstead Turnpike, West Hempstead, NY 11552 • Phone 516-481-5100 FAX 516-481-5550
 www.iccparts.com sales@iccparts.com • Toll Free: Phone 877-ICC-ICC3 FAX 800-814-8883

LE ROI DRESSER

HEAD OVERHAUL KITS *HOK's* with Wearing Valve Parts - To simplify ordering parts for single machine valve and cylinder head repair, **HEAD OVERHAUL KITS** have been assembled with all necessary valve discs, springs and locating pins (for A machines), Unloader Repair Kit, intake filter element, valve seat gaskets, valve cover gaskets, intercooler gaskets and head gaskets, felts, and "O" rings, to recondition valves for one compressor.

VALVE SET HEAD OVERHAUL KITS *VSHOK's* with Complete Replacement Valves. **VSHOK's** have been assembled which include all parts in **HOK's**, with Complete Replacement Valves instead of Wearing Valve Parts. For compressors with suction unloading valves order the **LED VSHOK**, or **WE VSHOK** for Plain Suction Valves.

Models	I.C.C. PART NO	WE VSHOK	LED VSHOK
20 & 1AVS	HOK-20-LED		VSHOK-20-LED
40 & 2AVS	HOK-40-LED		VSHOK-40-LED
44A	HOK-44A-LED		VSHOK-44A-LED
55A	HOK-55A-LED		VSHOK-55A-LED
60 & 3AVS	HOK-60-LED		VSHOK-60-LED
66A ONLY	HOK-66A-LED		VSHOK-66A-LED
80 & 4AVS	HOK-80-LED		VSHOK-80-LED
88A ONLY	HOK-88A-LED		VSHOK-88A-LED
99A ONLY	HOK-99A-LED		VSHOK-99A-LED
100 & 1VC	HOK-100-LED	VSHOK-100-WE	VSHOK-100-LED
100 & 1VC Stainless Valves	HOK-100-ST-LED	VSHOK-100-ST-WE	VSHOK-100-ST-LED
200 & 1AVC	HOK-200-LED	VSHOK-200-WE	VSHOK-200-LED
300 & 2VC	HOK-300-LED	VSHOK-300-WE	VSHOK-300-LED
400 & 2AVC	HOK-400-LED	VSHOK-400-WE	VSHOK-400-LED
440A ONLY	HOK-440A-LED		VSHOK-440A-LED
500 & 3VC	HOK-500-LED		VSHOK-500-LED
550A ONLY	HOK-550A-LED		VSHOK-550A-LED
600 & 3AVC	HOK-600-LED		VSHOK-600-LED
660A ONLY	HOK-660A-LED		VSHOK-660A-LED
700 & 4WC	HOK-700-LED		VSHOK-700-LED
770A ONLY	HOK-770A-LED		VSHOK-770A-LED
800 & 4AWC	HOK-800-LED		VSHOK-800-LED
880A ONLY	HOK-880A-LED		VSHOK-880A-LED
900 & 5AWC	HOK-900-LED		VSHOK-900-LED
990A ONLY	HOK-990A-LED		VSHOK-990A-LED
K350	HOK-K350-LED		VSHOK-K350-LED
K375	HOK-K375-LED		VSHOK-K375-LED
TRU5	HOK-TRU5-LED		VSHOK-TRU5-LED
TRU7.5	HOK-TRU7.5-LED		VSHOK-TRU7.5-LED
TRU10	HOK-TRU10-LED		VSHOK-TRU10-LED

LED PART NO.	I.C.C. PART NO.	LED PART NO.	I.C.C. PART NO.	LED PART NO.	I.C.C. PART NO.
--------------	-----------------	--------------	-----------------	--------------	-----------------

UNLOADER PISTONS, FELTS & "O" RINGS

UNLOADER PISTONS

H8-284-1	UPS-284-LED
H8-356	UPS-356-LED
H8-359	UPS-359-LED
H8-360	UPS-360-LED
H8-369	UPS-369-LED
8-795	UPS-795-LED
8-796	UPS-796-LED

UNLOADER FELTS

H125-119	FEL-119-LED
H125-256	FEL-256-LED
H125-259	FEL-259-LED
H125-261	FEL-261-LED

UNLOADER O-RINGS

H125-284	ORG-284-LED
H125-285	ORG-285-LED
H125-286	ORG-286-LED
H125-287	ORG-287-LED

AIR CONTROL VALVE PARTS

H186-31-3	BEL-1-LED
125-279	ORG-279-LED
125-280	ORG-280-LED
H15-731-1	DISC-731-LED
H17-649-1	PIN-6491-LED
H24-528	SPG-528-LED
H8-381	PST-381-LED

UNLOADER REPAIR KIT To simplify ordering parts for repairing unloaders, UNLOADER REPAIR KITS have been assembled.

UKIT-1-LED includes the Air Control Disc Valve, Spring, Bellofram and "O" Rings to recondition one Air Control Valve.

..... **UKIT-1-LED**

UKIT-2-LED also includes the Air Control Pin and Bellofram Piston.

A204-1138 **UKIT-2-LED**



INDEPENDENT COMPONENTS CORP.

528 Hempstead Turnpike, West Hempstead, NY 11552 • Phone 516-481-5100 FAX 516-481-5550
www.iccparts.com sales@iccparts.com • Toll Free: Phone 877-ICC-ICC3 FAX 800-814-8883

LE ROI DRESSER – WESTINGHOUSE Piston Ring / Rod Bearing Chart

COMPRESSOR MODEL ..	LOW PRESSURE		HIGH PRESSURE		ROD BEARING (PAIRS)	
	QTY	I.C.C. PART	QTY	I.C.C. PART	QTY	I.C.C. PART
1BYC.....	1	RK-224-WE	1	RK-204-WE		none
2YC.....	1	RK-226-WE	1	RK-205-WE		none
3YC.....	1	RK-228-WE	1	RK-206-WE		none
4YC.....	1	RK-230-WE	1	RK-207-WE		none
5YC.....	1	RK-232-WE	1	RK-207-WE		none
5YC3.....	1	RK-283-WE	1	RK-282-WE		none
2G.....	1	RK-199-WE		none		none
5G.....	1	RK-201-WE		none		none
1BYS.....	2	RK-224-WE		none		none
1XBYS.....	2	RK-204-WE		none		none
2YS.....	2	RK-226-WE		none		none
3YS.....	2	RK-228-WE		none		none
100 & 1VC.....	1	RK-298-LED	1	RK-286-LED	2	INS-301-LED
200 & 1AVC.....	1	RK-578-LED	1	RK-287-LED	2	INS-301-LED
300 & 2VC.....	1	RK-299-LED	1	RK-289-LED	2	INS-300-LED
400 & 440A & 2AVC....	1	RK-388-LED	1	RK-290-LED	2	INS-300-LED
500 & 550A & 3VC.....	1	RK-296-LED	1	RK-288-LED	2	INS-302-LED
600 & 660A & 3AVC....	1	RK-544-LED	1	RK-291-LED	2	INS-302-LED
700 & 770A & 4WC.....	2	RK-296-LED	1	RK-293-LED	3	INS-302-LED
800 & 880A & 4AWC...	2	RK-544-LED	1	RK-545-LED	3	INS-302-LED
900 & 990A & 5AWC...	2	RK-544-LED	1	RK-545-LED	3	INS-556-LED
K350 & K375.....	1	RK-6200-WA	included with LP set		2	INS-1110-LED
20 & 1AVS.....	2	RK-578-LED		none	2	INS-301-LED
40 & 2AVS.....	2	RK-388-LED		none	2	INS-300-LED
60 & 66A & 3AVS.....	2	RK-544-LED		none	2	INS-302-LED
80 & 88A & 3AWS.....	3	RK-544-LED		none	3	INS-302-LED
90 & 99A.....	3	RK-544-LED		none	3	INS-556-LED

WAYNE DRESSER Piston Ring /Rod Bearing Chart

COMPRESSOR MODEL	QTY	I.C.C. PART	QTY	ROD BEARING (PAIRS)
300 & 3000.....	1	RK-300-WA	2	INS-300-WA
4000 & 5000.....	1	RK-6200-WA	2	INS-5000-WA
5100 & 5200.....	1	RK-6200-WA	2	INS-5000 WA
6200.....	1	RK-6200-WA	2	INS-6200-WA
6400.....	1	RK-6400-WA	4	INS-6200-WA

LE ROI DRESSER – WESTINGHOUSE Piston Pin / Bushing Chart

COMPRESSOR MODEL	LOW PRESSURE		HIGH PRESSURE					
	QTY	I.C.C. PART	QTY	I.C.C. PART	QTY	I.C.C. PART	QTY	I.C.C. PART
300.....	1	PIN-727-LED	1	PPB-590-LED	1	PIN-728-LED	1	PPB-590-LED
400 & 440A.....	1	PIN-729-LED	1	PPB-590-LED	1	PIN-730-LED	1	PPB-590-LED
500 & 550A & 3VC.....	1	PIN-731-LED	1	PPB-577-LED	1	PIN-738-LED	1	PPB-577-LED
600 & 660A & 3AVC....	1	PIN-732-LED	1	PPB-577-LED	1	PIN-739-LED	1	PPB-577-LED
700 & 770A & 4WC.....	2	PIN-731-LED	2	PPB-579-LED	1	PIN-740-LED	1	PPB-954-LED
800 & 880A & 4AWC...	2	PIN-732-LED	2	PPB-579-LED	1	PIN-741-LED	1	PPB-579-LED
900 & 990A & 5AWC...		N/A	2	PPB-512-LED		N/A	1	PPB-511-LED
60 & 66A & 3AVS.....	2	PIN-732-LED	3	PPB-577-LED		none		none
80 & 88A & 3AWS.....	3	PIN-732-LED	3	PPB-579-LED		none		none

**Remember! You risk nothing to check the quality of our products
Full money back Guarantee if not satisfied
We sell only to resale accounts – We do not sell to the end user**



INDEPENDENT COMPONENTS CORP.

528 Hempstead Turnpike, West Hempstead, NY 11552 • Phone 516-481-5100 FAX 516-481-5550
www.iccparts.com sales@iccparts.com • Toll Free: Phone 877-ICC-ICC3 FAX 800-814-8883

LE ROI DRESSER – WESTINGHOUSE

LED PART NO.	I.C.C. PART NO.	LED PART NO.	I.C.C. PART NO.	LED PART NO.	I.C.C. PART NO.
--------------	-----------------	--------------	-----------------	--------------	-----------------

PISTON RING KITS Please check the CHART on the left hand page to find the correct part numbers and quantities for the desired compressor.

.....	RK-2GA-WE	H204-226	RK-226-WE	H204-290	RK-290-LED
H204-199.....	RK-199-WE	H204-228	RK-228-WE	H204-291 (A204-961)	RK-291-LED
H204-201.....	RK-201-WE	H204-230	RK-230-WE	H204-293 (A204-293)	RK-293-LED
H204-202.....	RK-202-WE	H204-232	RK-232-WE	H204-296	RK-296-LED
H204-203.....	RK-203-WE	H204-282	RK-282-WE	H204-298	RK-298-LED
H204-204.....	RK-204-WE	H204-283	RK-283-WE	H204-299	RK-299-LED
H204-205.....	RK-205-WE	H204-286	RK-286-LED	H204-388	RK-388-LED
H204-206.....	RK-206-WE	H204-287	RK-287-LED	1A204-544 (A204-963)	RK-544-LED
H204-207.....	RK-207-WE	H204-288	RK-288-LED	H204-545 (A204-962)	RK-545-LED
H204-224.....	RK-224-WE	H204-289	RK-289-LED	AH204-578	RK-578-LED

Kits are available for TRU SERIES and other similar compressors. CALL for details.

PISTON PINS & BUSHINGS

PISTON PINS

H17-727.....	PIN-727-LED	H17-738	PIN-738-LED	H21-579	PPB-579-LED
H17-728.....	PIN-728-LED	H17-739	PIN-739-LED	H21-579-1	PPB-5791-LED
H17-729.....	PIN-729-LED	H17-740	PIN-740-LED	H21-590	PPB-590-LED
H17-730.....	PIN-730-LED	H17-741	PIN-741 LED	H21-591	PPB-591-LED
H17-731.....	PIN-731-LED	PISTON PIN BUSHINGS		H21-954	PPB-954-LED
H17-732.....	PIN-732-LED	21-511	PPB-511-LED	H21-983	PPB-983-LED
H17-737.....	PIN-737-LED	21-512	PPB-512-LED		
		H21-577	PPB-577-LED		

INSERT BEARINGS - Two Halves for One Connecting Rod.

AH204 300 (H21 527 half)	standard	INS-300-LED	A204 556 (H21 630 1 half)	standard	INS-556-LED
	.010 Undersize	INS-300U-LED		.010 Undersize	INS-556U-LED
AH204 301 (H21 536 half)	standard	INS-301-LED	A204 1110 (H21 978 half)	standard	INS-1110-LED
	.010 Undersize	INS-301U-LED		.010 Undersize	INS-1110U-LED
AH204 302 (H21 503 1 half)	standard	INS-302-LED			
	.010 Undersize	INS-302U LED			

LED PART NO.	I.C.C. PART NO.	LED PART NO.	I.C.C. PART NO.	LED PART NO.	I.C.C. PART NO.
--------------	-----------------	--------------	-----------------	--------------	-----------------

HOLDDOWN SLEEVES

H175-29-2	SLV-292-LED
H175-29-3	SLV-293-LED
H175-29-9	SLV-299-LED
H175-30-3	SLV-303-LED
H175-33.....	SLV-33-LED
H175-33-3	SLV-333-LED
H175-34.....	SLV-34-LED
H175-35-1	SLV-351-LED
H175-36.....	SLV-36-LED
H175-43.....	SLV-43-LED
H19-101.....	PLUG-101-LED

HOLDDOWN PLUGS (continued)

H19-252	PLUG-252-LED
H19-254	PLUG-254-LED
H19-256	PLUG-256-LED
H19-258	PLUG-258-LED
H19-259	PLUG-259-WE
H19-260	PLUG-260-LED
H19-263	PLUG-263-WE
H19-264	PLUG-264-LED
H19-265	PLUG-265-LED
H19-267	PLUG-267-LED
H19-272	PLUG-272-LED

HOLDDOWN PLUGS (continued)

H19-273	PLUG-273-LED
H19-275	PLUG-275-LED
H19-277	PLUG-277-LED
H125-27	PLUG-27-LED

VALVE CAPS

H4-264-2	CAP-2642-LED
H4-265-2	CAP-2652-LED
H4-410	CAP-410-LED

Other Holddown Sleeves and Plugs available– call for information

OIL SEALS

H125-144-3	OS-1Y-WE	H125-144-2	OS-5Y-WE	H125-274	OS-274-LED
H125-144-4	OS-2Y-WE	H125-212	OS-2GA-WE	H125-275	OS-275-LED
H125-144-1	OS-3Y-WE	H125-266	OS-266-LED	H125-528	OS-528-LED
H125-144-6	OS-5G-WE	H125-271	OS-271-LED	125-919	OS-919-LED

Please call for price and delivery of part numbers not listed



INDEPENDENT COMPONENTS CORP.

528 Hempstead Turnpike, West Hempstead, NY 11552 • Phone 516-481-5100 FAX 516-481-5550
www.iccparts.com sales@iccparts.com • Toll Free: Phone 877-ICC-ICC3 FAX 800-814-8883

WAYNE – LE ROI DRESSER

WAYNE PART NO.	I.C.C. PART NO.	WAYNE PART NO.	I.C.C. PART NO.
VALVE ASSEMBLIES with SEAT GASKETS		AH15-1373 (AC12128).....	VAL-1373-WA
AH15-1305 (AC10883).....	VAL-1-WA	AH15-1374 (AC12130).....	VAL-1374-WA
AH15-1298 (AC10886).....	VAL-2-WA	AH15-1375 (AC12131).....	VAL-1375-WA
AH15-1308 (AC10889).....	VAL-3-WA	AH15-1376 (AC12133).....	VAL-1376-WA
VALVE DISCS		VALVE SPRINGS	
H15-1306 (AC10882).....	DISC-1-WA	H24-682 (AC1779).....	SPG-1-WA
H15-1300 (AC10885).....	DISC-2-WA	H24-681 (AC10309).....	SPG-2-WA
H15-1310 (AC10888).....	DISC-3-WA	H24-683 (AC13291).....	SPG-3-WA
VALVE SEATS, RETAINERS and RETAINING RINGS			
H15-1305 (AC10881).....	VS-1-WA	H64-191 (903352).....	RR-1-WA
H15-1308 (AC10884).....	VS-2-WA	H64-192 (906120).....	RR-2-WA
H15-1308 (AC10887).....	VS-3-WA	H64-193 (912554).....	RR-3-WA
H15-1307 (AC10297).....	VR-1-WA		
H15-1299 (AC10305).....	VR-2-WA		
H15-1309 (AC10257).....	VR-3-WA		
VALVE SETS (Valve assemblies and seat gaskets for one compressor)			
Model 5000 and 6200.....	VSET-5000-WA	Model 6400.....	VSET-6400-WA
Model 6200.....	VSET-6200-WA	Model 6750.....	VSET-6750-WA

TUNE UP KITS TUK's with Wearing Valve Parts - To simplify ordering parts for single machine repair, TUNE UP KITS have been assembled which include Gasket Kit with oil seal, Piston Ring Kit, intake filter element (where indicated), insert bearings (only where noted), valve discs and springs to recondition one compressor.

VALVE SET TUNE UP KITS VSTUK's with Complete Replacement Valves - **VSTUK's** have been assembled which include all parts in **TUK's**, with Complete Replacement Valves instead of Wearing Valve Parts. Order by starting the part number with **VSTUK** instead of **TUK**.

UNDERSIZE BEARING KITS If you want any of the kits assembled with Undersize Bearings, insert the letter "U" before the "WA" in the **TUK** or **VSTUK** part number for .010 Undersize bearings (model 5000 Only).

For Model Series		STANDARD SIZE BEARINGS I.C.C. PART NO.	UNDERSIZE BEARINGS .010 UNDERSIZE	VSTUK
300 & 3000	without rod inserts	TUK-300-WA †		VSTUK-300-WA †
5000	with rod inserts	TUK-5000-WA †	TUK-5000U-WA †	VSTUK-5000-WA †
6200	with rod inserts	TUK-6200B-WA		VSTUK-6200B-WA
6200	without rod inserts	TUK-6200-WA		VSTUK-6200-WA
6400	with rod inserts	TUK-6400B-WA		VSTUK-6400B-WA
6400	without rod inserts	TUK-6400-WA		VSTUK-6400-WA
6750	without rod inserts	TUK-6750-WA		VSTUK-6750-WA

† Air Filter Included

HEAD OVERHAUL KITS HOK's with Wearing Valve Parts - To simplify ordering parts for single machine valve and cylinder head repair, **HEAD OVERHAUL KITS** have been assembled with all necessary valve discs and springs, intake filter element (where indicated), valve seat gaskets, valve cover gaskets, intercooler gaskets and head gaskets, to recondition valves for one compressor.

VALVE SET HEAD OVERHAUL KITS VSHOK's with Complete Replacement Valves Contains all parts in the **HEAD OVERHAUL KIT**, with a **VALVE SET** (assemblies) in place of valve replacement parts.

For Model Series	I.C.C. PART NO.	HOK	VSHOK
300 & 3000	HOK-300-WA †		VSHOK-300-WA †
4000	HOK-4000-WA †		VSHOK-4000-WA †
5000	HOK-5000-WA †		VSHOK-5000-WA †
6200	HOK-6200-WA		VSHOK-6200-WA
6400	HOK-6400-WA		VSHOK-6400-WA
6750	HOK-6750-WA		VSHOK-6750-WA

† Air Filter Included

The MODEL 7960 SU Wayne Air Compressor 5 1/2 & 3 x 5, 4 Cylinder is Identical to Kellogg - American Model 462.

See I.C.C. Part Numbers on Kellogg Pages.



INDEPENDENT COMPONENTS CORP.

528 Hempstead Turnpike, West Hempstead, NY 11552 • Phone 516-481-5100 FAX 516-481-5550
www.iccparts.com sales@iccparts.com • Toll Free: Phone 877-ICC-ICC3 FAX 800-814-8883

WAYNE – LE ROI DRESSER

WAYNE PART NO.	I.C.C. PART NO.	WAYNE PART NO.	I.C.C. PART NO.
INSERT BEARINGS PAIRS			
AH204-728 (H21-752 half) (2AC1176) (for 2 halves).....	INS-300-WA	H21-978 (.010) Undersize..... (for 2 halves)	INS-5000U WA
H21-978 (half) (AC20834) (for 2 halves).....	INS-5000 WA	AH204-679 (half) (2AC1837) (for 2 halves).....	INS-6200-WA
		H22-891 Shim for INS-6200-WA.....	SHIM-6200-WA
PISTON RING KITS			
AH204-661 (AC12142) (also for model 3000)	RK-300-WA	AH204-657 (AC11761)	RK-6200-WA
		AH204-657 (2 Sets)	RK-6400-WA
GASKET KITS			
AH204-660 (AC12068) (also for model 3000)	GK-300-WA	AH204-658 (AC11762)	GK-6200-WA
AH204-667 (AC13292).....	GK-5000-WA	AH204-659 (AC12066)	GK-6400-WA
		GK-6750-WA
OIL SEALS			
H125-748 (AC11501) (also for model 3000)	OS-300-WA	H125-754 (AC11498).....	OS-6200-WA
H125-749 (AC12594).....	OS-5000-WA	H125-753 (AC11259).....	OS-6400-WA
INDIVIDUAL GASKETS			
H16-1757 (AC10983).....	FEC-1757-WA	H16-1778 (AC2594)	CB-1778-WA
H16-1758 (H16-1775 & 3AC2355).....	HG-1758-WA	H16-1782 (AC10055).....	REC-1782-WA
H16-1759 (AC1787).....	REC-1759-WA	H16-1783 (2AC10055).....	REC-1783-WA
H16-1760 (AC11778).....	FL-1760-WA	H16-1785 (AC10101).....	IC-1785-WA
H16-1761 (AC1768).....	OG-1761-WA	H16-1786 (AC10103).....	AC-1786-WA
H16-1762 (AC2502).....	CB-1762-WA	H16-1787 (AC10117).....	FL-1787-WA
H16-1763 (AC2881).....	CB-1763-WA	H16-1791 (AC10288).....	FL-1791-WA
H16-1764-2 (3AC2882).....	HG-6200-WA	H16-1795 (AC10693).....	BG-1795-WA
H16-1765 (1AC12338).....	FEC-1765-WA	H16-1797 (AC11004).....	BP-1797-WA
H16-1766 (AC12340).....	BP-1766-WA	H16-1798 (AC11339).....	OFF-1798-W
H16-1769 (903299).....	VSG-1769-WA	H16-1802 (AC12137).....	VSG-1802-WA
H16-1770 (903361).....	VSG-1770-WA	H16-1803 (AC12138).....	VSG-1803-WA
H16-1771 (903367).....	VSG-1771-WA	H16-1831 (AC30479).....	CPG-1831-WA
H16-1775 (AC2355 & 3AC2355).....	HG-1775-WA	H16-1832 (AC30480).....	HG-1832-WA
H16-1777 (AC2575).....	BP-1777-WA		
MAIN BEARINGS			
H181-414 (902704).....	RB-414-CO-WA	H181-418 (903195).....	RB-418-CU-WA
H181-415 (902705).....	RB-415-CU-WA	H181-419 (903196).....	RB-419-CO-WA
H181-417 (902736).....	RB-417-CO-WA		
WAYNE SURPLUS PARTS			
H5-525 (AC30175)	CRANKSHAFT Model 6200		
WESTINGHOUSE SURPLUS PARTS			
AH55-977	3YC INTERCOOLER		
AH2-416	HEAD, LP COMPL.		
H2-276-1	HEAD, LP BARE		

Please call for price and delivery of part numbers not listed

AIR FILTERS, OIL FILTERS, AIR FILTER ASSEMBLIES, SEPERATORS & INLINE FILTERS

See complete listing in FILTERS AIR-OIL SEPARATORS section.



INDEPENDENT COMPONENTS CORP.

528 Hempstead Turnpike, West Hempstead, NY 11552 • Phone 516-481-5100 FAX 516-481-5550
www.iccparts.com sales@iccparts.com • Toll Free: Phone 877-ICC-ICC3 FAX 800-814-8883

LE ROI

LE ROI PART NO.	I.C.C. PART NO.	LE ROI PART NO.	I.C.C. PART NO.	LE ROI PART NO.	I.C.C. PART NO.
VALVE ASSEMBLIES		15-1487	VAL-1487D-LE	VALVE GASKETS	
28A15-342	VAL-28A-D-LE	15-1488	VAL-1488S-LE	16-744-2	VSG-1-LE
32A15-342	VAL-32A-S-LE	15-1489-1	VAL-1489D-LE	16-745	VCG-1-LE
33A15-342	VAL-33A-D-LE	15-1490	VAL-1490S-LE	16-1375	VCG-1375-LE
34A15-342	VAL-34A-S-LE			16-1389	VCG-1389-LE
VALVE DISCS		VALVE SPRINGS & DAMPENING PLATE			
15-341-1	DISC-1-LE	24-511-1	SPG-1A-LE	220-136 9	SPG-9-LE
15-341-2	DISC-2-LE	24-511	SPG-1B-LE	24-342-3	SPG-324-LE
220-136	DISC-136-LE	220-136-2	SPG-2-LE	220-136-1	PLT-1-LE
VALVE SEATS, GUARDS, BOLTS, NUTS, GUIDES & SPACERS					
15-342	VS-342-LE	53-215	NUT-215-LE	22-318	SPAC-318-LE
15-401-11	VB-401-LE	53-265	NUT-265-LE	66-509	SPAC-509-LE
34-168	VSCR-168-LE	58-69	GU-69-LE		
34-326	VSCR-326-LE	58-69-8	GU-69-8-LE		
VALVE COVERS & CLAMPS					
14-761-4	COV-7614-LE	83-762		VCLM-762-LE	
14-762	COV-762-LE				
VALVE REPAIR KIT Contains valve discs, valve springs, valve seat gasket, and valve cover gaskets for repair of one valve. Dampening Plates are included where applicable.					
TO REPAIR VALVE					
ORIGINAL PART	I.C.C. PART	ORDER I.C.C. PART			
28A15-342	VAL-28A-D-LE	VRK-28A-D-LE			
32A15-342	VAL-32A-S-LE	VRK-32A-S-LE			
33A15-342	VAL-33A-D-LE	VRK-33A-D-LE			
34A15-342	VAL-34A-S-LE	VRK-34A-S-LE			
15-1487	VAL-1487D-LE	VRK-1487D-LE			
15-1488	VAL-1488S-LE	VRK-1488S-LE			
15-1489	VAL-1489D-LE	VRK-1489D-LE			
15-1490	VAL-1490S-LE	VRK-1490S-LE			
17A15-342	VRK-17AS-LE			
18A15-342	VRK-18AS-LE			
CONNECTING ROD INSERTS (Pairs)		PISTON PIN BUSHING			
AH204-460	INS-460-LE	21-377-1		PPB-3771-LE	
AH204-460 (.010) Under	INS-460U-LE	21-532		PPB-532-LE	
PISTON PINS					
17-279	PIN-279-LE	17-280		PIN-280-LE	
17-2792	PIN-2792-LE	17-577		PIN-577-LE	
PISTON RING KITS					
204-69	RK-69-LE	A204-841		RK-841-LE	
204-75	RK-75-LE	A204-931		RK-931-LE	
204-79	RK-79-LE				
204-80	RK-80-LE				
UNLOADER DIAPHRAGM		OIL SEALS			
186-11	DPH-1-LE	125-58-1		OS-581-LE	
		125-59-1		OS-591-LE	
MAIN BEARING					
181-236	MBCU-236-LE	181-372		RB-372-CU-LE	
181-371	RB-371-CO-LE				

Please call for price and delivery of part numbers not listed



INDEPENDENT COMPONENTS CORP.

528 Hempstead Turnpike, West Hempstead, NY 11552 • Phone 516-481-5100 FAX 516-481-5550
www.iccparts.com sales@iccparts.com • Toll Free: Phone 877-ICC-ICC3 FAX 800-814-8883

LE ROI

TUNE UP KITS TUK's with Wearing Valve Parts - To simplify ordering parts for single machine repair, **TUNE UP KITS** have been assembled which include Gasket Kit with oil seal, Piston Ring Kit, insert bearings, valve discs and springs to recondition one compressor.

VALVE SET TUNE UP KITS VSTUK's with Complete Replacement Valves - **VSTUK's** have been assembled which include all parts in **TUK's**, with Complete Replacement Valves instead of Wearing Valve Parts. Order by starting the part number with **VSTUK** instead of **TUK**.

UNDERSIZE BEARING KITS If you want any of the kits assembled with Undersize Bearings, insert the letter "U" before the "LE" in the **TUK** or **VSTUK** part number for .010 Undersize bearings.

STANDARD SIZE BEARINGS UNDERSIZE BEARINGS

For Model Series	I.C.C. PART NO.	.010 UNDERSIZE	VSTUK
50S1 Serial #1-612	TUK-50S1-1-LE	TUK-50S1-1U-LE	VSTUK-50S1-1-LE
50S1 Serial #613-1141, 1749+	TUK-50S1-2-LE	TUK-50S1-2U-LE	VSTUK-50S1-2-LE
50S1 Serial #1142-1748	TUK-50S1-3-LE	TUK-50S1-3U-LE	VSTUK-50S1-3-LE
50S2 Serial #1-402	TUK-50S2-1-LE	TUK-50S2-1U-LE	VSTUK-50S2-1-LE
50S2 Serial #403-827, 1026+	TUK-50S2-2-LE	TUK-50S2-2U-LE	VSTUK-50S2-2-LE
50S2 Serial #828-1025	TUK-50S2-3-LE	TUK-50S2-3U-LE	VSTUK-50S2-3-LE
100S1 Serial #1-57	TUK-100S1-1-LE	TUK-100S1-1U-LE	VSTUK-100S1-1-LE
100S1 Serial #57-193, 455+	TUK-100S1-2-LE	TUK-100S1-2U-LE	VSTUK-100S1-2-LE
100S1 Serial #194-454	TUK-100S1-3-LE	TUK-100S1-3U-LE	VSTUK-100S1-3-LE
100S1 Serial #1-407	TUK-100S2-1-LE	TUK-100S2-1U-LE	VSTUK-100S2-1-LE
100S1 Serial #408-1009, 1399+	TUK-100S2-2-LE	TUK-100S2-2U-LE	VSTUK-100S2-2-LE
100S1 Serial #1010-1398	TUK-100S2-3-LE	TUK-100S2-3U-LE	VSTUK-100S2-3-LE
100SDS Serial #	TUK-100SDS-2-LE	TUK-100SDS -2U-LE	VSTUK-100SDS -2-LE
256S2 Serial #	TUK-256S2-2-LE	TUK-256S2-2U-LE	VSTUK-256S2-2-LE
256S2 Serial #	TUK-256S2-3-LE	TUK-256S2-3U-LE	VSTUK-256S2-3-LE
256SDS Serial #	TUK-256SDS-1-LE	TUK-256SDS-1U-LE	VSTUK-256SDS-1-LE
256SDS Serial #	TUK-256SDS-2-LE	TUK-256SDS-2U-LE	VSTUK-256SDS-2-LE

Tune Up Kits & Head Overhaul Kits are available for models 25S1, 75S1, 75S2, 253S2, 256S2, 50SDS , 100SDS & othersimilar models Please call for information.

HEAD OVERHAUL KITS HOK's with Wearing Valve Parts - To simplify ordering parts for single machine valve and cylinder head repair, **HEAD OVERHAUL KITS** have been assembled with all necessary valve discs and springs, valve seat gaskets, valve cover gaskets, intercooler gaskets and head gaskets, to recondition valves for one compressor.

VALVE SET HEAD OVERHAUL KITS VSHOK's with Complete Replacement Valves Contains all parts in the **HEAD OVERHAUL KIT**, with a **VALVE SET** (assemblies) in place of valve replacement parts.

For Model Series	I.C.C. PART NO. HOK	I.C.C. PART NO. VSHOK
50S1 Serial #1-612	HOK-50S1-1-LE	VSHOK-50S1-1-LE
50S1 Serial #613-1141, 1749+	HOK-50S1-2-LE	VSHOK-50S1-2-LE
50S1 Serial #1142-1748	HOK-50S1-3-LE	VSHOK-50S1-3-LE
50S2 Serial #1-402	HOK-50S2-1-LE	VSHOK-50S2-1-LE
50S2 Serial #403-827, 1026+	HOK-50S2-2-LE	VSHOK-50S2-2-LE
50S2 Serial #828-1025	HOK-50S2-3-LE	VSHOK-50S2-3-LE
100S1 Serial #1-57	HOK-100S1-1-LE	VSHOK-100S1-1-LE
100S1 Serial #57-193, 455+	HOK-100S1-2-LE	VSHOK-100S1-2-LE
100S1 Serial #194-454	HOK-100S1-3-LE	VSHOK-100S1-3-LE
100S1 Serial #1-407	HOK-100S2-1-LE	VSHOK-100S2-1-LE
100S1 Serial #408-1009, 1399+	HOK-100S2-2-LE	VSHOK-100S2-2 LE
100S1 Serial #1010-1398	HOK-100S2-3-LE	VSHOK-100S2-3-LE
100SDS Serial #	HOK-100SDS-2-LE	VSHOK-100SDS-2-LE
256S1 Serial #	HOK-256S1-2-LE	VSHOK-256S1-2-LE
256S2 Serial #	HOK-256S2-2-LE	VSHOK-256S2-2-LE

Note: Style 1 above is for A15-342 series valves with compression springs 24-342-3 (valve set kits contain style 2 valve assemblies)
Style 2 is for current A15-342 valves with spring plates 24-511-1
Style 3 is for 15-1487, 15-1488, 15-1489 and 15-1490 valves with ported valve discs..



INDEPENDENT COMPONENTS CORP.

528 Hempstead Turnpike, West Hempstead, NY 11552 • Phone 516-481-5100 FAX 516-481-5550
www.iccparts.com sales@iccparts.com • Toll Free: Phone 877-ICC-ICC3 FAX 800-814-8883

LE ROI

LE ROI PART NO.	I.C.C. PART NO.	LE ROI PART NO.	I.C.C. PART NO.	LE ROI PART NO.	I.C.C. PART NO.
--------------------	--------------------	--------------------	--------------------	--------------------	--------------------

GASKETS SETS

A204 427 (25S1 & 25S2) **GK 25S1 LE**
 A204 426 (50S1, 50S2 &
 253S2 not 253S2C)... **GK 50S1 LE**
 A204 246 (75S2) **GK 75S2 LE**
 A204 247 (100S1) **GK 100S1 LE**

A204 439 (100SDS) .. **GK 100SDS LE**
 8A204 52 **GK 105D2 LE**
 (253S2C).... **GK 253S2C LE**
 A204 397(256S2) **GK 256S2 LE**

MISCELLANEOUS KIT

A204 423 **KIT 423 LE**
 A204 425 **KIT 425 LE**

INDIVIDUAL GASKETS

B16-117 **OG-117-LE**
 16-344 **BRG-344-LE**
 16-345 **BR-345-LE**
 16-418 **BRG-418-LE**
 16-419 **FL-419-LE**

16-844 **HG-844-LE**
 16-914 **PG-914-LE**
 16-967 **PG-967-LE**
 16-968 **PG-968-LE**
 16-972 **HG-972-LE**

16-1894 **GKT-1894-LE**
 16-2049 **RG-2049-LE**
 74-101 **ORG-101-LE**
 125-826-29 **ORG-629-LE**
 125-695 **ORG-695-LE**

16-422 **SG-422-LE**
 16-518-1 **CB-5181-LE**
 16-618 **HHC-618-LE**
 16-633 **IC-633-LE**
 16-637 **HHC-637-LE**

16-1280 **IC-1280-LE**
 16-1296 **FL-1296-LE**
 16-1297 **FL-1297-LE**
 16-1339 **BC-1339-LE**
 16-1340 **BC-1340-LE**

22-109 **SHIM-109-LE**
 22-111 **SHIM-111-LE**
 22-114 **SHIM-114-LE**
 22-115 **SHIM-115-LE**
 22-144 **SHIM-144-LE**

16-641 **FL-641-LE**
 16-802 **HG-802-LE**
 16-840 **AFG-840-LE**

16-1354 **DSG-1354-LE**
 16-1892 **RG-1892-LE**
 16-1893 **GKT-1893-LE**

22-145 **SHIM-145-LE**

SHUTTLE VALVE

15-1179 **SHV-1179-LE**

Please call for price and delivery of part numbers not listed

WESTINGHOUSE AIR BRAKE

WABCO PART NO.	I.C.C. PART NO.	WABCO PART NO.	I.C.C. PART NO.
-------------------	--------------------	-------------------	--------------------

VALVE ASSEMBLIES

578773..... **VAL-578773-WE** | 514645 **VAL-514645-WE**

VALVE DISCS

514637..... **DISC-6-WE** | A574128 **DISC-4128-WE**
 514638..... **DISC-7-WE** | A574134 **DISC-4134-WE**
 A574127 **DISC-4127-WE**

VALVE SPRINGS

514639..... **SPG-6-WE** | A574130..... **SPG-4130-WE**
 514640..... **SPG-7-WE** | A574135..... **SPG-4135-WE**
 A574129 **SPG-4129-WE** | A574136..... **SPG-4136-WE**

PISTON RINGS

520123..... **PR-0123-WE** | 520133 **PR-0133-WE**
 520125..... **PR-0125-WE** | 521195 **PR-1195-WE**

CONNECTING ROD BEARINGS

540589..... **INS-0589PR-WE**

Other Westinghouse Air Brake parts are available – Please Call.



INDEPENDENT COMPONENTS CORP.

528 Hempstead Turnpike, West Hempstead, NY 11552 • Phone 516-481-5100 FAX 516-481-5550
www.iccparts.com sales@iccparts.com • Toll Free: Phone 877-ICC-ICC3 FAX 800-814-8883

CHAMPION

CHAMPION PART NUMBERS	I.C.C. PART NO.	CHAMPION PART NUMBERS	I.C.C. PART NO.
VALVE ASSEMBLIES – STEEL (With Gaskets)			
Note on HP Suction Valves for R10, R15, R30:			
Models R10-R10C, R15-R15A and R30-R30C use HP Suction valves (VAL 1S CH) the same size as the Discharge valves. Models R10D, R15B and R30D originally had HP Suction valves with Larger Seats than the older models so they could not be confused with the HP Discharge Valves. In 2002, the HP Suction Valve was changed to (VAL 1SC CH) which has a different Seat, Bumper, Disc, and Spring (changed from a coil spring, to a curved washer type spring).			
Z113.....	VAL-1S-CH	Z784.....	VAL-3S-CH
Z114.....	VAL-1SB-CH	Z785.....	VAL-3D-CH
Z11937 (Z5117) with new Disc & Spring.....	VAL-1SC-CH	Z273.....	VAL-4S-CH
Z11938 (Z6308) with new Disc & Spring.....	VAL-1SCU-CH	Z274.....	VAL-4D-CH
Z115.....	VAL-1D-CH		
Z812 (Z118).....	VAL-2S-CH	Z121A.....	VAL-121A-CH
Z4877.....	VAL-2SU-CH	Z122A.....	VAL-122A-CH
Z116.....	VAL-2SA-CH	Z184.....	VAL-184-CH
Z813 (Z117).....	VAL-2D-CH	Z1183.....	VP-RV15-CH
VALVE SETS (With Gaskets)			
Z183.....	VSET-CAW-CH	Z104 (RE- REN-36 & R30).....	VSET-R30-CH
Z185.....	VSET-CAV-CH	Z5157 (R30D & later).....	VSET-R30D-CH
		for R30 & R30D (has extra valves).....	VSET-R30Z-CH
Z100 (RE-4, RE- REN-7).....	VSET-RE7-CH	Z6796 (Pressure Lube).....	VSET-PL30-CH
Z101 (RE- REN-10).....	VSET-RE10-CH		
Z103 (RE- REN-20).....	VSET-RE20-CH	Z108.....	VSET-S20-CH
		Z112.....	VSET-S40-CH
Z102 (RE-14, REN-14, R15).....	VSET-R15-CH	Z656.....	VSET-R40-CH
Z5155 (R15B & later).....	VSET-R15B-CH	Z614.....	VSET-R70-CH
for R15 & R15B (has extra valve).....	VSET-R15Z-CH		
Z6795 (Pressure Lube).....	VSET-PL15-CH		
VALVE DISCS & FINGERS			
RE1062.....	DISC-1-CH	RE1470.....	DISC-3-CH
RE1061.....	DISC-2-CH	P07497A.....	FIN-RV15-CH
VALVE SPRINGS			
RE760.....	SPG-1-CH	RE1059 (P635A).....	SPG-4-CH
RE758.....	SPG-2-CH	RE1458 (P636A).....	SPG-5-CH
RE1058 (P634).....	SPG-3-CH		
VALVE GASKET SETS Contains valve seat gaskets and valve cover gaskets			
Z101G RE10 REN10.....	VGS-REN10-CH	Z5158.....	VGS-R30D-CH
	VGS-REN14-CH	Z657.....	VGS-R40-CH
Z103G.....	VGS-RE20-CH	Z615.....	VGS-R70-CH
		Z108G.....	VGS-S20-CH
Z102G.....	VGS-R15-CH	Z112G.....	VGS-S40-CH
Z5156.....	VGS-R15B-CH		
Z104G.....	VGS-R30-CH		
UNLOADER PARTS			
P09296A.....	GU-1SA-CH	P01882A.....	UNSP-1S-CH
P09083A.....	GU-2S-CH	P09084A.....	UNSP-2S-CH
		M1450.....	UNSP-3S-CH
P14119A.....	UFIN-1S-CH	M1449.....	UNSP-4S-CH
P09085A.....	UFIN-2S-CH		
M1447.....	UNF-3S-CH	P07585A.....	DPH-1-CH
M1815.....	UNF-4S-CH	P09086A.....	LNUT-1-CH
		P09923A.....	UPI-R15-CH
M919A.....	LW-919A-CH		

We sell only to resale accounts – We do not sell to the end user

Prices subject to change without notice

Independent Components Corp. is an independent supplier of compressor replacement parts and is not affiliated with manufacturers mentioned in this catalog. The original manufacturer's product description and/or part number is given for reference only.



INDEPENDENT COMPONENTS CORP.

528 Hempstead Turnpike, West Hempstead, NY 11552 • Phone 516-481-5100 FAX 516-481-5550
www.iccparts.com sales@iccparts.com • Toll Free: Phone 877-ICC-ICC3 FAX 800-814-8883

CHAMPION

TUNE UP KITS *TUK's* & VALVE SET TUNE UP KITS *VSTUK's* To simplify ordering parts for single machine repair, TUNE UP KITS have been assembled which include gasket set, piston ring set, oil seal, air filter elements, and wearing valve parts to recondition one Compressor. **PL** kits include connecting rod inserts. **VSTUK's** have been assembled which include all parts in **TUK's**, with Complete Replacement Valves (current style) instead of wearing valve parts and for R-Series models **VSTUK's** include unloader springs. Kits for **R10, R15A** and **R30A, B & C** compressors contain both foam filter elements and pleated elements to fit all intake assemblies.

VALVE NOTES for R10, R15, PL15, R30D & PL30: In 1990 Champion redesigned the HP suction valves used on R10, R15 and R30 compressors. The change was to increase the diameter of the valve seat by 1/8" (**R10D, R15B & R30D**) The valve internals did not change. This change was made to prevent confusing the HP Suction and Discharge Valves.

In 2002 Champion again redesigned the internals of the HP suction valves changing from a coil spring to a curved washer type spring and a different valve disc.

- If you are repairing a compressor with the old coil spring then order the kit with no letter after the model number.
- If you are repairing a compressor with the new curved washer type spring then order the kit with **N** after the model number.
- If you are not sure which you have, order the kit with **Z** after the model, this has parts for both old and new design valves.

All of our **VSTUK's** for models **R10D, R15B, R30D & PL30** have HP suction valves with the new design springs and plates.

VALVE NOTES for R40, PL40, R70 & PL70: In the 1990's Champion redesigned the internals of the valve assemblies, and again in the 2010's. Our **TUK's** currently contain all valve internal parts including locating pins and guide ring and lock nuts for pre-2010's version ONLY. We are working on making a more universal **TUK**. Order a **VSTUK** if you are not sure what you have.

PISTON RING NOTES: In 1998 Champion redesigned the piston ring kits for all R-Series models changing from 4 piston rings per piston to 3 piston rings per piston. All of our **TUK's** and **VSTUK's** for R15, R30, R40 and R70 series kits contain piston rings for both designs.

COMPRESSOR NOTES	TUK PART NUMBER	VSTUK PART NUMBER
For REN7 without filter	TUK-REN7-CH	VSTUK-REN7-CH
For REN10 without filter	TUK-REN10-CH	VSTUK-REN10-CH
For REN14 without filter	TUK-REN14-CH	VSTUK-REN14-CH
For REN36	TUK-REN36-CH	
For R10-R10C & R15-R15A	TUK-R15-CH	VSTUK-R15-CH
For R10D & R15B with old Disc & Spring	order TUK-R15-CH	order VSTUK-RB15B-CH
For R10D & R15B with new Disc & Spring	TUK-R15BN-CH	VSTUK-R15B-CH
For R10D & R15B with old or new Disc & Spg	TUK-R15BZ-CH	order VSTUK-RB15B-CH
For R15BHU with old Disc & Spring	TUK-R15BHU-CH	order VSTUK-R15BHU-CH
For R15BHU with new Disc & Spring	TUK-R15BHUN-CH	VSTUK-R15BHU-CH
For R15BHU with old or new Disc & Spg	TUK-R15BHUZ-CH	order VSTUK-R15BHU-CH
For RV15A	TUK-RV15-CH	VSTUK-RV15-CH
For PL15 & P15A with old Disc & Spring	TUK-PL15-CH	order VSTUK-PL15-CH
For PL15 & PL15A with new Disc & Spring	TUK-PL15N-CH	VSTUK-PL15-CH
For PL15 & PL15A with old or new Disc & Spg	TUK-PL15Z-CH	order VSTUK-PL15-CH
For R30 & R30A,B & C	TUK-R30-CH	VSTUK-R30-CH
For R30D with old Disc & Spring	order TUK-R30-CH	order VSTUK-R30D CH
For R30D with new Disc & Spring	TUK-R30DN-CH	VSTUK-R30D-CH
For R30D with Old or New Disc & Spg	TUK-R30DZ-CH	order VSTUK-R30D-CH
For R30DHU with old Disc & Spring	TUK-R30DHU-CH	order VSTUK-R30BHU-CH
For R30DHU with new Disc & Spring	TUK-R30DHUN-CH	VSTUK-R30DHU-CH
For-R30DHU with old or new Disc & Spg	TUK-R30DHUZ-CH	order VSTUK-R30DHU-CH
For RV30A	TUK-RV30-CH	VSTUK-RV30-CH
For PL30 & PL30A with old Disc & Spring	TUK-PL30-CH	order VSTUK-PL30-CH
For PL30 & PL30A with new Disc & Spring	TUK-PL30N-CH	VSTUK-PL30-CH
For PL30 & PL30A with old or new Disc & Spg	TUK-PL30Z-CH	order VSTUK-PL30-CH
For R40 for either 3 or 4 ring pistons	*TUK-R40-CH	VSTUK-R40-CH
For R40AHU for 3 ring pistons	*TUK-R40-CH	VSTUK-R40AHU-CH
For PL40 & PL40A for 3 ring pistons	*TUK-PL40-CH	VSTUK-PL40-CH
For R70 for either 3 or 4 ring pistons	*TUK-R70-CH	VSTUK-R70-CH
For R70AHU for 3 ring pistons	*TUK-R70-CH	VSTUK-R70AHU CH
For PL70 & PL70A for 3 ring pistons	*TUK-PL70-CH	VSTUK-PL70-CH
	TUK-S20-CH	VSTUK-S20-CH
	TUK-S40-CH	VSTUK-S40-CH

* See Valve Note Above



INDEPENDENT COMPONENTS CORP.

528 Hempstead Turnpike, West Hempstead, NY 11552 • Phone 516-481-5100 FAX 516-481-5550
www.iccparts.com sales@iccparts.com • Toll Free: Phone 877-ICC-ICC3 FAX 800-814-8883

CHAMPION

HEAD OVERHAUL KITS HOK's & VALVE SET HEAD OVERHAUL KITS VSHOK's To simplify ordering parts for single machine repair, HEAD OVERHAUL KITS have been assembled which include valve & unloader gaskets, air filter elements, and wearing valve parts to recondition one Compressor. **VSHOK's** have been assembled which include all parts in **HOK's**, with Complete Replacement Valves (current style) instead of Wearing Valve Parts and for R-Series models contain unloader springs. Kits **HOK R15 CH** and **HOK R30 CH** contain both foam filter elements and pleated elements to fit all intake assemblies.

VALVE NOTES for R10, R15, PL15, R30D & PL30: In 1990 Champion redesigned the HP suction valves used on R10, R15 and R30 compressors. The change was to increase the diameter of the valve seat by 1/8" (**R10D, R15B & R30D**) The valve internals did not change. This change was made to prevent confusing the HP Suction and Discharge Valves.

In 2002 Champion again redesigned the internals of the HP suction valves changing from a coil spring to a curved washer type spring and a different valve Disc.

- If you are repairing a compressor with the old coil spring then order the kit with no letter after the model number.
- If your are repairing a compressor with the new curved washer type spring then order the kit with **N** after the model number.
- If you are not sure which you have, order the kit with **Z** after the model, this has parts for both old and new design valves.

All of our **VSHOK's** for models **R10D, R15B, R30.D & PL30** have HP suction valves with the new design springs and plates.

VALVE NOTES for R40, PL40, R70 & PL70: In the 1990's Champion redesigned the internals of the valve assemblies and again in the 2010's. Our **HOK's** currently contain all valve internal parts including locating pins and guide ring and lock nuts for pre-2010's version ONLY. We are working on making a more universal **HOK**. Order a **VSHOK** if you are not sure what you have.

COMPRESSOR NOTES

HOK PART NUMBER

VSHOK PART NUMBER

For REN10 without filter

HOK-REN10-CH

VSHOK-REN10-CH

For REN14 without filter

HOK-REN14-CH

VSHOK-REN14-CH

For REN20 without filter

HOK-REN20-CH

For R10-R10C, R15 & R15A

HOK-R15-CH

VSHOK-R15-CH

For R10D & R15B with old Disc & Spring

same as above

For R10D & R15B with new Disc & Spring

HOK-R15BN-CH

VSHOK-R15B-CH

For R10D & R15B with Old or New Disc & Spg

HOK-R15BZ CH

For R15BHU & PL15

Use proper kit for R15B above

VSHOK-R15BHU-CH

For RV15A

HOK-RV15-CH

VSHOK-RV15-CH

For R30 & R30A,B & C

HOK-R30-CH

VSHOK-R30-CH

For R30D with old Disc & Spring

same as above

For R30D with new Disc & Spring

HOK-R30DN-CH

VSHOK-R30D-CH

For R30D with Old or New Disc & Spg

HOK-R30DZ-CH

For R30DHU & PL30

Use proper kit for R30D above

VSHOK-R30DHU-CH

For RV30A

HOK-RV30-CH

VSHOK RV30-CH

For R40, R40A

*HOK-R40-CH

VSHOK-R40-CH

For R40AHU, PL40 & PL40A

*HOK-PL40-CH

VSHOK-PL40 CH

For R70, R70A

*HOK-R70-CH

VSHOK-R70-CH

For R70AHU, PL70 & PL70A

*HOK-PL70-CH

VSHOK-PL70-CH

For S20

HOK-S20-CH

VSHOK-S20-CH

For S40

HOK-S40-CH

VSHOK-S40-CH

COMPRESSOR NOTES

VRK PART NUMBER

VALVE REPAIR KITS. VALVE REPAIR KITS contain a complete set of valve Discs and Springs, to repair all inlet and Discharge valves for one compressor. R40 & R70 kits also include guide ring, buffer plate and lock nuts.

VRK-REN10-CH

VRK-REN14-CH

with old Disc & Spring

VRK-R15-CH

with new Disc & Spring

VRK-R15BN-CH

with new & old Disc & Spring

VRK-R15BZ-CH

with old Disc & Spring

VRK-R30-CH

with new Disc & Spring

VRK-R30DN-CH

with new & old Disc & Spring

VRK-R30DZ-CH

*VRK-R40-CH

*VRK-R70-CH

VRK-S20-CH

VRK-S40-CH

* See Valve Note Above



INDEPENDENT COMPONENTS CORP.

528 Hempstead Turnpike, West Hempstead, NY 11552 • Phone 516-481-5100 FAX 516-481-5550
www.iccparts.com sales@iccparts.com • Toll Free: Phone 877-ICC-ICC3 FAX 800-814-8883

CHAMPION

CHAMPION PART NUMBERS	I.C.C. PART NO.	CHAMPION PART NUMBERS	I.C.C. PART NO.
AUTOMATIC TANK DRAIN KIT			
Z5941	KIT-ATD-CH		
MAIN BEARINGS			
ZNR16	RB-R15-CH	P03431A.....	RB-R40-CH
ZNR2016	RB-R30FW-CH	Z8981	MBK-8981-CH
ZNR3616	RB-R30OFW-CH		
INTAKE FILTER ELEMENTS (also see Air Filter & Oil Filter Section)			
Z837	ELE-837-CH	Solberg FA Adapter.....	FAD-1-CH
INTERCOOLER SAFETY VALVES			
Z6775 (PO3592A)	ISV-6675-CH	M9704.....	SV-9704-CH
M2839.....	SV-2839-CH	P03690	VCVP-3690-CH
M2843.....	SV-2843-CH	P05822	VCVP-5822-CH
M3685.....	SV-3685-CH		
INSERT BEARINGS			
Z3254	INS-PL15-CH	Z3255	INS-PL40-CH
PISTON RING KITS In 1998 Champion redesigned the pistons for all R-Series models changing from 4 piston rings per piston to 3 piston rings per piston. We offer piston ring kits for both designs.			
Z7	RK-Z7-CH	Z478C.....	RK-S40-CH
Z7B	RK-REN7-CH	Z177	RK-177-CH
Z10B	RK-REN10-CH	Z177A.....	RK-177A-CH
Z14B	RK-REN14-CH	Z178C.....	RK-S20-LP-CH
Z36B	RK-REN36-CH		
ZR15..... for 3 or 4 ring pistons	RK-R15-CH	Z178B.....	RK-REN10-LP-CH
Z799..... for 3 ring pistons	RK-R15-3-CH	Z187	RK-187-CH
ZR-30..... for 3 or 4 ring pistons	RK-R30-CH	Z188B.....	RK-REN10-HP-CH
Z9085..... for 3 ring pistons	RK-R30-3-CH		
Z654..... for 4 ring pistons	RK-R40-CH	Z179C..... for 4 ring pistons	RK-R15-LP-CH
Z9109..... for 3 ring pistons	RK-R40-3-CH	Z798..... for 3 ring pistons	RK-R15-3-LP-CH
..... for 3 or 4 ring pistons	RK-R40Z-CH	Z189B..... for 4 ring pistons	RK-R15-HP-CH
		Z797..... for 3 ring pistons	RK-R15-3-HP-CH
Z605..... for 4 ring pistons	RK-R70-CH		
Z9123..... for 3 ring pistons	RK-R70-3-CH	Z606..... for 4 ring pistons	RK-R40-LP-CH
..... for 3 or 4 ring pistons	RK-R70Z-CH	Z9087..... for 3 ring pistons	RK-R40-3-LP-CH
		Z607..... for 4 ring pistons	RK-R40-HP-CH
		Z9088..... for 3 ring pistons	RK-R40-3-HP-CH
Z278C.....	RK-S20-CH		
PISTON PINS & RETAINING RINGS			
R1021	PIN-1021-CH	P03434A.....	RR-R40-CH
M1383.....	PIN-1383-CH	R10102.....	RR-R15-CH
M1393.....	PIN-1393-CH		
PISTON PIN BEARINGS			
P03430A.....	PPB-R40-CH	R1037	PPB-R15-CH
OIL SEALS			
OSN4.....	OS-R15-CH	P07426A.....	BHOS-PL30-CH
OSN36A (P2567A)	OS-R30-CH	SLV-R40-CH
P03433A.....	OS-R40-CH		
CHAMPION MAINT KITS			
Z11882	KIT-1882-CH	Z11892	KIT-1892-CH
Z11883	KIT-1883-CH	Z11893	KIT-1893-CH
Z11884	KIT-1884-CH	Z11894	KIT-1894-CH
Z11885	KIT-1885-CH	Z11895	KIT-1895-CH

**Please call for price and delivery of part numbers not listed
Full money back Guarantee if not satisfied**

Independent Components Corp. is an independent supplier of compressor replacement parts and is not affiliated with manufacturers mentioned in this catalog. The original manufacturer's product description and/or part number is given for reference only.



INDEPENDENT COMPONENTS CORP.

528 Hempstead Turnpike, West Hempstead, NY 11552 • Phone 516-481-5100 FAX 516-481-5550
www.iccparts.com sales@iccparts.com • Toll Free: Phone 877-ICC-ICC3 FAX 800-814-8883

CHAMPION

CHAMPION PART NUMBERS	I.C.C. PART NO.	CHAMPION PART NUMBERS	I.C.C. PART NO.
GASKET KITS			
Z253.....	GK-RE10-CH	Z10887 for R30D, R30DHU & S40A.....	GK-R30D-CH
.....	GK-RE14-CH	Z9120 & Z6821 for PL30 & PL30A.....	GK-PL30-CH
Z242 REN10 & REN14.....	GK-REN10-CH	Z801.....	GK-RV30-CH
Z297 for all R15's & S20.....	GK-R15-CH
Z764 for R15A.....	GK-R15A-CH	Z655.....	GK-R40-CH
.....	Z10888.....	GK-R40AHU-CH
Z9119 & Z6820 for PL15 & PL15A.....	GK-PL15-CH	Z9121 & Z6822 for PL40 & PL40A.....	GK-PL40-CH
Z800.....	GK-RV15-CH
Z800 (w/Green VP Gaskets).....	GK-RV15-GRE-CH	Z611.....	GK-R70-CH
.....	Z9122 & Z6823 for PL70 & PL70A.....	GK-PL70-CH
Z321 for all R30's & S40.....	GK-R30-CH	Z10889.....	GK-R70AHU-CH
Z765 for R30B & R30C.....	GK-R30B-CH	P13636A.....	GK-VP20-CH

Note: We have one gasket kit for PL pump models with and without the letter "A". For example PL15 and PL15A use the same gasket kit.

INDIVIDUAL GASKETS

A29.....	CB-A29-CH	P07376B.....	SH-PL30-32-CH
B31.....	HG-B31-CH	P07377B.....	SH-PL30-5-CH
C30.....	CG-C30-1-CH	P07378B.....	SH-PL30-10-CH
C30A.....	CG-C30-2-CH	P07379B.....	SH-PL30-15-CH
C30B.....	CG-C30-3-CH	P07398B.....	SH-PL40-31-CH
M1391.....	CB-1391-CH	P07399B.....	SH-PL40-15-CH
M1398.....	EC-1398-031-CH	P07400B.....	SH-PL40-11-CH
M1399.....	EC-1399-015-CH	P07401B.....	SH-PL40-7-CH
M1400.....	EC-1400-010-CH	P07414A.....	OPG-7414-CH
M1401.....	EC-1401-005-CH	P07428A.....	ORG-7428-CH
M1414.....	GC-1414-CH	P0746A (N34).....	RG-0746-CH
M1507.....	OAG-R15-CH	P09171A.....	VGC-1A-CH
M1564.....	HG-1564-CH	P11512A.....	OPG-1512-CH
NR29A.....	CB-R15-CH	P13952A (P09170A).....	VGA-1A-CH
NR31B.....	SP-R15-CH	RE1063A.....	VGC-2A-CH
OR111 (P2047A).....	ORG-111-CH	SE1429.....	CB-RE10-CH
P02547A.....	ORG-2547-CH	SE1430.....	SH-R15-32-CH
P02677A.....	VGC-4-CH	SE1430A.....	SH-R15-5-CH
P03429A.....	VGC-3-CH	SE1430B.....	SH-R15-10-CH
P04134A (RE1475A).....	VGC-2-CH	SE1430C.....	SH-R15-15-CH
P04135A (RE1063A) (SE3018A).....	VGA-2-CH	SE1489.....	GC-R15-CH
P04136A (RE1066A).....	VGA-1-CH	SE3030.....	SH-R30-32-CH
P04137A (SE528A).....	VGC-1-CH	SE3030A.....	SH-R30-5-CH
P04419C.....	HG-RV15-CH	SE3030B.....	SH-R30-10-CH
P04419C.....	HG-RV15-GREEN-CH	SE3030C.....	SH-R30-15-CH
P04420C.....	VPG-RV15-CH	SE3089.....	GC-R30-CH
P04420C.....	VPG-RV15-GREEN-CH	U48.....	VGC-U48-CH
P04421C.....	CG-RV15-CH	Z12115.....	SS-PL15-CH
P04421C.....	CG-RV15-GREEN-CH	Z12117.....	SS-PL30-CH
P07352A.....	VGA-4-CH	Z12120.....	SS-PL40-CH
P07353A.....	VGA-3-CH	Z130.....	SS-R15-CH
P07372B.....	SH-PL15-32-CH	Z132.....	CG-C30-CH
P07373B.....	SH-PL15-5-CH	Z30-30.....	SS-R30-CH
P07374B.....	SH-PL15-10-CH	Z775.....	SS-R40-CH
P07375B.....	SH-PL15-15-CH

AIR-OIL SEPARATORS

See complete listing in FILTERS AIR-OIL SEPARATORS section.

AIR FILTERS OIL FILTERS and AIR FILTER ASSEMBLIES

See complete listing in FILTERS AIR-OIL SEPARATORS section.

INLINE FILTERS

See complete listing in INLINE FILTERS section



INDEPENDENT COMPONENTS CORP.

528 Hempstead Turnpike, West Hempstead, NY 11552 • Phone 516-481-5100 FAX 516-481-5550
www.iccparts.com sales@iccparts.com • Toll Free: Phone 877-ICC-ICC3 FAX 800-814-8883

CHAMPION

This Page Intentionally left blank



INDEPENDENT COMPONENTS CORP.

528 Hempstead Turnpike, West Hempstead, NY 11552 • Phone 516-481-5100 FAX 516-481-5550
www.iccparts.com sales@iccparts.com • Toll Free: Phone 877-ICC-ICC3 FAX 800-814-8883

Gardner Denver

G.D. PART NUMBERS	I.C.C. PART NO.	G.D. PART NUMBERS	I.C.C. PART NO.
VALVE ASSEMBLIES with SEAT GASKETS			
1ADD563.....	VAL-2HS-GD	VB46164C.....	VAL-4VBS-GD
5ADD507-(3ADD507).....	VAL-3GD-GD	VB46202B (VB46202A).....	VAL-4VBD-GD
2ADD507.....	VAL-1-2D-GD	200VBA307.....	VAL-307D-GD
ADS164F.....	VAL-1-2S-GD		
2ADD506.....	VAL-23S-GD	2014247.....	VAL-4247D-GD
ACM507.....	VAL-23D-GD	2014251.....	VAL-4251D-GD
2ABL563 (ABL563).....	VAL-3S-GD	2014255.....	VAL-4255D-GD
1ABL507 (ABL507).....	VAL-3D-GD	2014256.....	VAL-4256D-GD
8YA127D.....	VAL-3AD-GD		
2005215(1WBF563).....	VAL-27S-GD	201VBH307 (Check Valve).....	VAL-4VB-CK-GD
200VEA2030.....	VAL-27SS-GD	203VDG306A (201VDG306A).....	VAL-203VDG-GD
2005212 (1WBF507).....	VAL-27D-GD	200VDS307A.....	VAL-0VDS-AD-GD
200VEA2031 (202VEA307A) 203VEA307A.....	VAL-27DS-GD	200VDS306A.....	VAL-0VDS-AS-GD
		200VDS306B.....	VAL-0VDS-BS-GD
202VEG306B (2WBG563) (2005205).....	VAL-3-6S-GD	201VDH306A.....	VAL-1VDH-AS-GD
1RXB509.....	VAL-3-6AS-GD	201VDH306B.....	VAL-1VDH-BS-GD
WAF164AX.....	VAL-3-6BS-GD	201VDL307A.....	VAL-1VDL-AD-GD
200VEG306.....	VAL-3-6CS-GD	202VDL307A.....	VAL-2VDL-AD-GD
		201VDL306A.....	VAL-1VDL-AS-GD
202VEG307B (1WBG507) (2005208).....	VAL-3-6D-GD	202VDL306A.....	VAL-2VDL-AS-GD
200VEG307.....	VAL-3-6AD-GD	201VDS306A.....	VAL-1VDS-AS-GD
202VEG307A.....	VAL-3-6ED-GD	202VDH307A.....	VAL-2VDH-AD-GD
202VEG306A.....	VAL-3-6ES-GD	202VFM2031.....	VAL-2VFM-D-GD
		202VFM306A.....	VAL-2VFM-AS-GD
203VEH306B(2WAG506) (2005199).....	VAL-3-26S-GD	202VDH307.....	VAL-202VDH-D-GD
HAE117AC (HAE117AB).....	VAL-3-26AS-GD	203VDH306B (200VDH306B).....	VAL-3VDH-BS-GD
202VEH307B (1WAG507) (2005202).....	VAL-3-26D-GD	203VDH306A (200VDH306A).....	VAL-3VDH-AS-GD
202VEH307A.....	VAL-3-26BD-GD	203VDH306F.....	VAL-3VDH-FS-GD
202VEH306.....	VAL-3-26BS-GD	205VDH307A (200VDH307A).....	VAL-5VDH-AD-GD
VB30164C.....	VAL-1VBS-GD	209ASL529 (205ASL529) 201ASL529 ...	VAL-209ASL-GD
VB30202B (VB30202A).....	VAL-1VBD-GD	210ASL529 (206ASL529) 202ASL529 ...	VAL-210ASL-GD
VB30164D.....	VAL-1VBS-A-GD	211ASL529 (207ASL529) 203ASL529 ...	VAL-211ASL-GD
VB30202C.....	VAL-1VBD-A-GD	212ASL529.....	VAL-212ASL-GD
VB37164C (VB37164B).....	VAL-2VBS-GD	WHR203E.....	VAL-5-10D-GD
VB37202B (VB37202A).....	VAL-2VBD-GD	WHR164E.....	VAL-5-10S-GD
VB42164C.....	VAL-3VBS-GD		
VB42202B.....	VAL-3VBD-GD		

G.D. PART NO.	I.C.C. PART NO.	G.D. PART NO.	I.C.C. PART NO.	G.D. PART NO.	I.C.C. PART NO.
VALVE GROUPS WITH UNLOADERS (SPARE VALVE KITS)					
VEG74652.....	VGP-74652-GD	AVS74996.....	VGP-74996-GD	VDH76055.....	VGP-76055-GD
VEG74653.....	VGP-74653-GD	AVS74997.....	VGP-74997-GD	VDH76056.....	VGP-76056-GD
VBH74656.....	VGP-74656-GD	AVS74998.....	VGP-74998-GD	AVL76057.....	VGP-76057-GD
VBH74657.....	VGP-74657-GD	AVL75002.....	VGP-75002-GD	AVL76058.....	VGP-76058-GD
VBG74658.....	VGP-74658-GD	AVL75003.....	VGP-75003-GD	201ASL6017 (ASL81698).....	VGP-1ASL-GD
ATD74977.....	VGP-74977-GD	VBH75033.....	VGP-75033-GD	202ASL6017 (ASL81699).....	VGP-2ASL-GD
ATD74978.....	VGP-74978-GD	VBG75051.....	VGP-75051-GD	203ASL6017 (ASL81700).....	VGP-3ASL-GD
ATD74979.....	VGP-74979-GD	VBA75058.....	VGP-75058-GD	208ASL6017.....	VGP-8ASL-GD
AVL74987.....	VGP-74987-GD	VBA75059.....	VGP-75059-GD	ABL164R.....	VGRP-ADL-HP-0-GD
AVL74988.....	VGP-74988-GD	VBH75067.....	VGP-75067-GD	WAF164AQ.....	VGRP-ADL-LP-0-GD
AVL74989.....	VGP-74989-GD	VBH75068.....	VGP-75068-GD		
AVL74990.....	VGP-74990-GD	VBA75096.....	VGP-75096-GD		

Remember! You risk nothing to check the quality of our products

Full money back Guarantee if not satisfied



INDEPENDENT COMPONENTS CORP.

528 Hempstead Turnpike, West Hempstead, NY 11552 • Phone 516-481-5100 FAX 516-481-5550
www.iccparts.com sales@iccparts.com • Toll Free: Phone 877-ICC-ICC3 FAX 800-814-8883

Gardner Denver

G.D. PART NO.	I.C.C. PART NO.	G.D. PART NO.	I.C.C. PART NO.	G.D. PART NO.	I.C.C. PART NO.
VALVE DISCS					
90AG2	DISC-2AG-GD	90V24	DISC-24V-GD	2010417	DISC-417-GD
90AG3	DISC-3AG-GD	90V25	DISC-25V-GD	2010448	DISC-448-GD
90AG5	DISC-5AG-GD	90V26	DISC-26V-GD	2010464	DISC-464-GD
90AH1	DISC-1AH-GD	90V27	DISC-27V-GD	2010755	DISC-755-GD
90AH2	DISC-2AH-GD	90V29	DISC-29V-GD	2010936	DISC-0936-GD
90V1	DISC-1V-GD	90V33	DISC-33V-GD	2010943	DISC-0943-GD
90V2	DISC-2V-GD	90V34	DISC-34V-GD	2010944	DISC-0944-GD
90V3	DISC-3V-GD	90V35	DISC-35V-GD	2109135	DISC-9135-GD
90V4	DISC-4V-GD	90V53	DISC-53V-GD	2109529	DISC-9529-GD
90V5	DISC-5V-GD	90V54	DISC-54V-GD	2109538	DISC-538-GD
90V6	DISC-6V-GD	90V55	DISC-55V-GD	2117040	DISC-7040-GD
90V8	DISC-8V-GD	90V56	DISC-56V-GD	1HL5063	DISC-1-5063-GD
90V9	DISC-9V-GD	90V57	DISC-57V-GD	2HL5063 (2HL5073)	DISC-2-5063-GD
90V10	DISC-10V-GD	2007246	DISC-7246-GD	4HL5063	DISC-5063-GD
90V23	DISC-23V-GD	2010400	DISC-400-GD		

VALVE SPRINGS					
78F1 (78C2)	SPG-F1-GD	2010404	SPG-404-GD	2116305	SPG-6305-GD
78F2	SPG-F2-GD	2010419	SPG-419-GD	2116332	SPG-6332-GD
78F4 (78C6)	SPG-F4-GD	2010433	SPG-433-GD	HL5066	SPG-5066 GD
301VBG105 (2VA105A)	SPG-VA105-GD	2010466	SPG-466-GD	2HL5066	SPG-2-5066-GD
202ASL105	SPG-202ASL-GD	2010477	SPG-477-GD	2HL5067	SPG-2-5067-GD
203ASK105 (78C19)	SPG-203A-GD	2010756	SPG-756-GD	4HL5067	SPG-4-5067-GD
2007242	SPG-7242-GD	2010757	SPG-757-GD	HL5076	SPG-L5076-GD
2007974	SPG-7974-GD	2109136	SPG-9136-GD	2HL5076	SPG-5076-GD
2009958	SPG-9958-GD	2109510	SPG-9510-GD	3HL5076	SPG-3-5076-GD
2009959	SPG-9959-GD	2109514	SPG-9514-GD	3HL5077	SPG-3-5077-GD
2014245	SPG-4245-GD	2109537	SPG-9537-GD	VA105A	SPG-VA-GD
2014249	SPG-4249-GD	2109642	SPG-9642-GD	2VA818	BU-VA105-GD
2010401	SPG-401-GD	2116234	SPG-6234-GD		

"VB" SERIES VALVE PLATES		"VB" SERIES DAMPENING PLATES		2010439	PLT-439-GD
1VB3067	DISC-1VB-GD	3VB30214	PLT-1VB-GD	2010465	PLT-465-GD
1VB3767	DISC-2VB-GD	3VB37214	PLT-2VB-GD	2109531	PLT-9531-GD
1VB4267	DISC-3VB-GD	3VB42214	PLT-3VB-GD	HL5064	PLT-5064-GD
1VB4667	DISC-4VB-GD	3VB46214	PLT-4VB-GD	1HL5064	PLT-1-5064-GD
1VB5867	DISC-5VB-GD			2HL5064	PLT-2-5064-GD
		DAMPENING PLATES		3HL5064	PLT-3-5064-GD
		2007245	PLT-7245-GD	4HL5064	PLT-4-5064-GD
		2010418	PLT-418-GD		

LIFT WASHERS, LOCATING PINS & HARDWARE					
2007244 (2010794)	LW-7244-GD	2010782	LPIN-782-GD	95F2	WAS-F2-GD
2010406	VPIN-406-GD	2010784	LPIN-784-GD	95F3	WAS-F3-GD
2010407	COV-0407-GD	2010785	LPIN-785-GD	95F5	WAS-F5-GD
2010408	LWIRE-408-GD	2010786	LPIN-786-GD	95H5	LW-H5-GD
2010409	BUS-0409-GD	2010787	LPIN-787-GD	95H8	WAS-H8-GD
2010424	GB-424-GD	2010789	LPIN-789-GD	95G33	WAS-G33-GD
2010443	SR-443-GD	2010790	LPIN-790-GD	4HL5065	LW-5065-GD
2010452	LFT-452-GD	2010930	WAS-0930-GD	HL5068 (3HL5068)	LPIN-5068-GD
2010467 (2010420)	LFT-467-GD	2109716	WAS-9716-GD	2HL5068	LPIN-2-5068-GD
2010468	LFT-468-GD	2116168	VPIN-168-GD		
2010781	LPIN-781-GD	95B1	WAS-B1-GD		

We sell only to resale accounts – We do not sell to the end user



INDEPENDENT COMPONENTS CORP.

528 Hempstead Turnpike, West Hempstead, NY 11552 • Phone 516-481-5100 FAX 516-481-5550
www.iccparts.com sales@iccparts.com • Toll Free: Phone 877-ICC-ICC3 FAX 800-814-8883

Gardner Denver

G.D. PART NUMBERS	I.C.C. PART NO.	G.D. PART NUMBERS	I.C.C. PART NO.
VALVE SEATS & BUMPERS			
ADA204	VB-2HS-GD	VB30202	VS-1VB-GD
ADD250	VB-3GD-GD	1VB30202	VS-1VBA-GD
ADD247	VS-2HS-GD	VB30164A	VB-1VB-GD
ADD246	VS-3GD-GD		
ADD14	VS-23S-GD	VB37202	VS-2VB-GD
ACE164X	VB-23S-GD	VB37164A	VB-2VB-GD
ADD127E	VS-23D-GD	VB42202	VS-3VB-GD
3ACE128	VB-23D-GD	VB42164A	VB-3VB-GD
ABL202	VS-3S-GD	200VBH128	VB-4VB-CK-GD
ABL164X	VB-3S-GD	VB46202	VS-4VB-GD
2YA127X (2YA127)	VS-3D-GD	VB46164A	VB-4VB-GD
ABL128	VB-3D-GD	200VBH203	VS-4VB-CK-GD
8YA127A	VS-3AD-GD		
2005023 (WBF202)	VS-27S-GD	2010759	VB-0759S-GD
2005216 (WBF164X)	VB-27S-GD	2010760	VB-0760D-GD
203VEA202	VS-27SS-GD	2010761	VS-0761S-GD
204VEA164	VB-27SS-GD	2010762	VS-0762D-GD
2005213 (WBF127X)	VS-27D-GD	2014246	VB-4246-GD
2005019 (WBF128)	VB-27D-GD	2014250	VB-4250-GD
204VEA203	VS-27DS-GD	2116304	VB-6304-GD
204VEA128	VB-27DS-GD	2109678	VB-9678-GD
200VEG202 (7YC14) 2005086	VS-3-6S-GD	2109682	VB-9682-GD
5YC14	VS-3-6AS-GD	2109696	VS-9696S-GD
19YC14	VS-3-6BS-GD	2109697	VB-9697S-GD
2005206 (WAF164X)	VB-3-6S-GD	2109700	VS-9700D-GD
2005209 (YC127X) 201VEG203A	VS-3-6D-GD	2109701	VB-9701D-GD
2012374 (WAF128)	VB-3-6D-GD	200WLA202	VS-WLA02-GD
2005100 (5XJ202) 200VEH202	VS-3-26S-GD	201WLA202	VS-WLA12-GD
2005200 (HAE117X)	VB-3-26S-GD	201WLA203	VS-WLA13-GD
200VEH203A (3XJ203X) 2005203	VS-3-26D-GD	202WLA203 (200WLA203)	VS-WLA23-GD
2012373 (HAE128)	VB-3-26D-GD		

COMPLETE MACHINE VALVE REPAIR KITS To simplify ordering parts for a complete machine valve repair, VALVE REPAIR KITS have been assembled with valve discs, valve springs, valve seat gaskets, valve cover gaskets, and where used, dampening plates, unloader springs & diaphragm, for repair of one compressor. (Some compressors require more than one kit)

G.D. PART NO.	I.C.C. PART NO.	G.D. PART NO.	I.C.C. PART NO.	G.D. PART NO.	I.C.C. PART NO.
ATA74967	VRK-74967-GD	AVS75024	VRK-75024-GD	OTHER VALVE REPAIR KITS	
ATA74968	VRK-74968-GD	AVS75025	VRK-75025-GD	200VBG6017	VRK-0VBG6017-GD
ATD74974	VRK-74974-GD	LAF75076	VRK-75076-GD	200VEM6017	VRK-0VEM6017-GD
ATD74975	VRK-74975-GD	VDH76053	VRK-76053-GD	201VBG6017	VRK-1VBG6017-GD
AVL74985	VRK-74985-GD	WRA75056	VRK-75056-GD	201VEM6017	VRK-1VEM6017-GD
AVL75000	VRK-75000-GD	WRB75049	VRK-75049-GD	204ASL6017	VRK-4ASL-GD
AVL75004	VRK-75004-GD	WRB75063	VRK-75063-GD	205ASL6017	VRK-5ASL-GD
AVL75020	VRK-75020-GD	WVA75046	VRK-75046-GD	206ASL6017	VRK-6ASL-GD
AVS74991	VRK-74991-GD	WVB75035	VRK-75035-GD	207ASL6017	VRK-7ASL-GD
AVS74992	VRK-74992-GD	WVC75030	VRK-75030-GD	209ASL6017	VRK-9ASL-GD
AVS75021	VRK-75021-GD	WVD74649	VRK-74649-GD		

Independent Components Corp. Is an independent supplier of compressor replacement parts and is not affiliated with manufacturers mentioned in this catalog. The original manufacturers product description and/or part number is given for reference only.



INDEPENDENT COMPONENTS CORP.

528 Hempstead Turnpike, West Hempstead, NY 11552 • Phone 516-481-5100 FAX 516-481-5550
www.iccparts.com sales@iccparts.com • Toll Free: Phone 877-ICC-ICC3 FAX 800-814-8883

Gardner Denver

G.D. PART NO.	I.C.C. PART NO.	G.D. PART NO.	I.C.C. PART NO.	G.D. PART NO.	I.C.C. PART NO.
VALVE SEAT GASKETS					
25L1	VSG-L1-GD	25L8	VSG-L8-GD	25L36	VSG-L36-GD
25L2	VSG-L2-GD	25L9	VSG-L9-GD	25L38	VSG-L38-GD
25L3	VSG-L3-GD	25L11	VSG-L11-GD	25BC18	VSG-BC18-GD
25L4	VSG-L4-GD	25L18	VSG-L18-GD	25A21N (25A21)	VSG-A21-GD
25L5	VSG-L5-GD	25L22	VSG-L22-GD	200ASL6007	KIT-6007-GD
25L6	VSG-L6-GD	25L24	VSG-L24-GD		
25L7	VSG-L7-GD	25L28	VSG-L28-GD		

VALVE COVER GASKETS					
25A25N (25R25)	VCG-A25-GD	25C2688N (25C2688)	VCG-2688-GD	204AVL715 (202AVL715) 25R31N (25R31)	VCG-R31G-GD‡
25A29N (25A29)	VCG-A29-GD	25BC288 (25R1)	VCG-R1G-GD‡	25R39N (25R39)	VCG-R39-GD
25B20	VCG-B20-GD	25R4N (25R4)	VCG-R4-GD	25R53N (25R53)	VCG-R53-GD
25BC207N (25BC207)	VCG-BC207-GD	225WLN715 (25BC289) 25R15	VCG-R15G-GD‡	25R96N (25R96)	VCG-R96-GD
25BC131N (25BC131)	VCG-131-GD	25R23N (25R23)	VCG-R23-GD	225WLN715B	VCG-WLN-GD
25C660N (25C660)	VCG-660-GD	226WLN715 (25BC290) 25R27	VCG-R27G-GD‡		
25C1826N (25C1826)	VCG-1826-GD				

‡ Gasket made of Flexible Graphite material

VALVE NUTS & GUIDES & COTTER PINS

1VB30260	VG-302-GD	8AUX171	NUT-171-GD	50Q18	NUT-Q18-GD
VB260	VG-260-GD	VB118	NUT-118-GD	50AF7	NUT-AF7-GD
VB42260	VG-42260-GD	50E4	NUT-E4-GD	62E3	CP-E3-GD
2010425	NUT-425-GD	50Q13	NUT-Q13-GD	62E5	CP-E5-GD
2109522	NUT-9522-GD	50Q16	NUT-Q16-GD		
2109601	NUT-9601-GD	50Q17	NUT-Q17-GD		

VALVE SCREWS & STUDS

75A13	SCR-75A13-GD	75K69	SCR-K69-GD	2009695	SCR-9695-GD
75A33C (75A33)	SCR-75A33C-GD	75K73	SCR-K73-GD	2109134	BOLT-9134-GD
75A34	SCR-A34-GD	75K80	SCR-K80-GD	2109142	BOLT-9142-GD
75A39 (655EE070)	SCR-A39-GD	75K81	SCR-K81-GD	2109144	BOLT-9144-GD
75A130	SCR-A130-GD	75LM4	SCR-M4-GD	2109683	SCR-9683-GD
75A186 (655EF180)	SCR-A186-GD	1609442	SCR-9442-GD	2109698	SCR-9698-GD
75D4	SCR-D4-GD	2009302	SCR-302-GD	2109702	SCR-9702-GD
75D53	SCR-D53-GD	2009217	SCR-9217-GD	VA207	STD-207-GD

VALVE HOLDDOWN SET SCREWS

76F104	SETS-104-GD	76GG4	SETS-G4-GD	76GG9	SETS-G9-GD
76GG1	SETS-GG1-GD	76GG5	SETS-G5-GD	76GG15	SETS-G15-GD
76GG3	SETS-GG3-GD	76GG6	SETS-G6-GD	76GG55	SETS-G55-GD

MISCELLANEOUS OVERHAUL KITS

Contain a Breather, Oil Seal, and Connecting Rod Bearings for one compressor

ATK74982	KIT-74982-GD	WVA75047	KIT-75047-GD	WRA75057	KIT-75057-GD
AVL74986	KIT-74986-GD	WVB75045	KIT-75045-GD		
AVS74993	KIT-74993-GD	WRB75050	KIT-75050-GD		

BREATHER, CLAMP and DIP STICK

5C8 (WBD517)	BRE-C8-GD	ADS654	CLM-654-GD	ACR557	DIP-1-GD
--------------------	-----------	--------------	------------	--------------	----------

We sell only to resale accounts – We do not sell to the end user

Please call for price and delivery of part numbers not listed

Independent Components Corp. Is an independent supplier of compressor replacement parts and is not affiliated with manufacturers mentioned in this catalog. The original manufacturers product description and/or part number is given for reference only



INDEPENDENT COMPONENTS CORP.

528 Hempstead Turnpike, West Hempstead, NY 11552 • Phone 516-481-5100 FAX 516-481-5550
www.iccparts.com sales@iccparts.com • Toll Free: Phone 877-ICC-ICC3 FAX 800-814-8883

Gardner Denver

TUNE UP KITS **TUK's** with **Wearing Valve Parts.**

To simplify ordering parts for single machine repair, **TUK's** have been assembled which include Gasket Kit, Piston Ring Kit, insert bearings if required, valve discs, springs & dampening plates, o-rings, oil seal and unloader diaphragms if required, unloader springs where used (unless marked with a Φ), and valve guides to recondition valves for one compressor. Please order the correct filter element from the listing in the AIR & OIL FILTER Section.

VALVE SET TUNE UP KITS **VSTUK's** with **Complete Replacement Valves.**

VSTUK's have been assembled which include all parts in **TUK's**, with Complete Replacement Valves (current style) instead of Wearing Valve Parts. Unloader kickoff pins & springs are also included, if required. Your cost can be calculated by adding the **EXTRA VSTUK COST** to the **TUK** cost in the table below. Order by starting the part number with **VSTUK** instead of **TUK**.

IMPORTANT PISTON RING NOTES: **TUK's** are assembled assuming that the original pistons are still in use. Many times in **W** series Compressors this is not true. To be sure, please give us the Ring Descriptions and Heights in the Compressor.

UNDERSIZE BEARING KITS If you want any of the kits assembled with Undersize Bearings, insert the letter "**U**" before the "**GD**" in the **TUK** part number for **.010** Undersize Bearings, or insert the letter "**U30**" before the "**GD**" for **.030** Undersize Bearings.

MODEL & RECORD OF CHANGE	STANDARD SIZE BEARINGS	.010 Under	.030 Under	VSTUKs
A SERIES MACHINES				
ACC 1000-1008.....	TUK-ACC-GD	Original Rods do not use Inserts		N/A
ACD 1002.....	TUK-ACD-GD	Original Rods do not use Inserts		N/A
ACL 1000.....	TUK-ACL-0-GD	U	U30	VSTUK-ACL-0-GD
ACL 1001.....	TUK-ACL-1-GD	U	U30	VSTUK-ACL-1-GD
ACL 1002 & AVLAK (Compressor)....	TUK-ACL-2-GD	U	U30	VSTUK-ACL-2-GD
ACL 1500 & AVLHK (Combination)....	TUK-ACL-15-GD	U	U30	VSTUK-ACL-15-GD
ACL 9000, 9001, 9500, 9501 AVLEK AVLGK (Vacuum).....	TUK-ACL-9 GD	U	U30	VSTUK-ACL-9-GD
ACM 1000-1004 Φ	TUK-ACM-GD	Original Rods do not use Inserts		VSTUK-ACM-GD
ACO 1002-1003.....	TUK-ACO-0-GD	U	U30	VSTUK-ACO-0-GD
ACO 9000-3, 9500-3	TUK-ACO-9-GD	U	U30	VSTUK-ACO-9-GD
ACR 1000-1007.....	TUK-ACR-0-GD	U	U30	VSTUK-ACR-0-GD
ACS 1000	TUK-ACS-0-GD	U	U30	VSTUK-ACS-0-GD
ACS 1001-1006 & AVSAU	TUK-ACS-1-GD	U	U30	VSTUK-ACS-1-GD
ADA 1000-1006, ATAAA, ATACA	TUK-ADA-GD	Original Rods do not use Inserts		N/A
ADD 1000-1004, 1010.....	TUK-ADD-1-GD	Original Rods do not use Inserts		N/A
ADD 1011-13, ADDB9A9A,C9A ATDAD, ATDCD	TUK-ADD-2-GD	Original Rods do not use Inserts		VSTUK-ADD-2-GD
ADD1014, ADDB9B9A, ATEAD, ATECD	TUK-ADD-14-GD	Original Rods do not use Inserts		VSTUK-ADD-14-GD
ADK 1000-1002, ATK_K.....	TUK-ADK-GD	Original Rods do not use Inserts		N/A
ADL 1000, 1002.....	TUK-ADL-0-GD	U	U30	VSTUK-ADL-0-GD
ADL 1001.....	TUK-ADL-1-GD	U	U30	VSTUK-ADL-1-GD
ADL 1003 & AVLAL	TUK-ADL-3-GD	U	U30	VSTUK-ADL-3-GD
ADO 1000-1005.....	TUK-ADO-0-GD	U	U30	VSTUK-ADO-0-GD
ADO 1006.....	TUK-ADO-6-GD	U	U30	VSTUK-ADO-6-GD
ADOA 1000-1001	TUK-ADOA-0-GD	U	U30	VSTUK-ADOA-0-GD
ADOA 1002 & AVSAO.....	TUK-ADOA-2-GD	U	U30	VSTUK-ADOA-2-GD
ADR 1000,1003	TUK-ADR-0-GD	U	U30	VSTUK-ADR-0-GD
ADR 1001-2,4-13.....	TUK-ADR-1-GD	U	U30	VSTUK-ADR-1-GD
ADR 1014.....	TUK-ADR-14-GD	U	U30	VSTUK-ADR-14-GD
ADRA 1000-1001.....	TUK-ADRA-0-GD	U	U30	VSTUK-ADRA-0-GD
ADRA 1002 & AVSAR	TUK-ADRA-2-GD	U	U30	VSTUK-ADRA-2-GD
ADS 1000-1011	TUK-ADS-0 GD	U	U30	VSTUK-ADS-0-GD
ADS 1012	TUK-ADS-12-GD	U	U30	VSTUK-ADS-12-GD
ADSA 1000-1002.....	TUK-ADSA-0-GD	U	U30	VSTUK-ADSA-0-GD
ADSA 1003 & AVSAS	TUK-ADSA-3-GD	U	U30	VSTUK-ADSA-3-GD
AOL, AVLAN.....	TUK-AOL-GD	U	U30	VSTUK-AOL-GD
AVLAW	TUK-AVLAW-GD	U	U30	VSTUK-AVLAW-GD
AVLCW	TUK-AVLCW-GD	U	U30	VSTUK-AVLCW-GD
AVLEW AVLGW	TUK-AVLEW-GD	U	U30	VSTUK-AVLEW-GD
AVLHW AVLJW	TUK-AVLHW-GD	U	U30	VSTUK-AVLHW-GD
AVL_V	TUK-AVLV-GD	U	U30	VSTUK-AVLV-GD



INDEPENDENT COMPONENTS CORP.

528 Hempstead Turnpike, West Hempstead, NY 11552 • Phone 516-481-5100 FAX 516-481-5550
www.iccparts.com sales@iccparts.com • Toll Free: Phone 877-ICC-ICC3 FAX 800-814-8883

Gardner Denver

MODEL & RECORD OF CHANGE	STANDARD SIZE BEARINGS	.010 Under	.030 Under	VSTUKs
A SERIES MACHINES (continued)				
AVSAP	TUK-AVSAP-GD	U	U30	VSTUK-AVSAP-GD
AVSAT	TUK-AVSAT-GD	U	U30	VSTUK-AVSAT-GD
AVSEP, AVSGP	TUK-AVSEP-GD	U	U30	VSTUK-AVSEP-GD
AVSHP	TUK-AVSHP-GD	U	U30	VSTUK-AVSHP-GD
Combo (Suct & Disch Valve) Splash Lube & Pressure Lube				
ANPE (1stg HP Nat Gas)	TUK-ANPE-GD	U	U30	VSTUK-ANPE-GD
ANPH (1stg LP Nat Gas)	TUK-ANPH-GD	U	U30	VSTUK-ANPH-GD
AP_A (2stg, Pres Lub, Unl. Ver 4+)	TUK-APLA-4-GD	U	U30	*VSTUK-APLA-4-GD
AP_C (2stg, Pres Lub, Plain Ver 4+) ..	TUK-APLC-4-GD	U	U30	*VSTUK-APLC-4-GD
AP_G (1stg, Pres Lub, Unl. Ver 4+)....	TUK-APLG-4-GD	U	U30	*VSTUK-APLG-4-GD
AP_H (1stg, Pres Lub, Plain Ver 4+) ..	TUK-APLH-4-GD	U	U30	*VSTUK-APLH-4-GD
AS_A (2stg, Splash Lub, Unl. Ver 4+) ..	TUK-ASLA-4-GD	U	U30	*VSTUK-APLA-4-GD
AS_C (2stg, Splash Lub, Plain Ver 4+) ..	TUK-ASLC-4-GD	U	U30	*VSTUK-APLC-4-GD
AS_G (1stg, Splash Lub, Unl. Ver 4+) ..	TUK-ASLG-4-GD	U	U30	*VSTUK-APLG-4-GD
AS_H (1stg, Splash Lub, Plain Ver 4+) ..	TUK-ASLH-4-GD	U	U30	*VSTUK-APLH-4-GD
AQPD (1stg, P Lub Boost, Unl. Ver 4+) ..	TUK-AQPD-4-GD	U	U30	*VSTUK-AQPD-4-GD
AQPE (1stg, P Lub Boost, Plain Ver 4+) ..	TUK-AQPE-4-GD	U	U30	*VSTUK-AQPE-4-GD
ATLE6A (1stg, Pres Lube, Plain Ver 1+) ..	TUK-ATLA-GD	U	U30	VSTUK-ATLA-GD
ATLE6B (1stg, Pres Lube, Unl. Ver 1+) ..	TUK-ATLB-GD	U	U30	VSTUK-ATLB-GD
* These VSTUK's are also good for Versions 1-3 (original valves are obsolete and parts are not available)				
W SERIES MACHINES				
WAH 1006-7	TUK-WAH-6-GD		U30	VSTUK-WAH-6-GD
WAH 1008-11, WV BHQ, WVBJQ, WV BKQ, WVBAQ	TUK-WAH-8-GD		U30	VSTUK-WAH-8-GD
WAH 6000, WVBIQ, WVBDQ, HAH 6000	TUK-WAH-60-GD		U30	VSTUK-WAH-60-GD
WAQ 1002, 4002	TUK-WAQ-2-GD		U30	VSTUK-WAQ-2-GD
WAQ 1003, 4003, WVAJB, WVAHB, WVAKB.	TUK-WAQ-3-GD		U30	VSTUK-WAQ-3-GD
WAQ 6000	TUK-WAQ-60-GD		U30	VSTUK-WAQ-60-GD
WAQ 6001, WVAIB, HIQ 6000, WVADB	TUK-WAQ-61-GD		U30	VSTUK-WAQ-61-GD
WBC 1000, 3000, 4000, 5000	TUK-WBC-0-GD		U30	VSTUK-WBC-0-GD
WBC 1001, 3001, 4001, 5001	TUK-WBC-1-GD		U30	VSTUK-WBC-1-GD
WBC 1002-3, 3002, 4002-3, 5002	TUK-WBC-2-GD		U30	VSTUK-WBC-2-GD
WBC 1004, 3003, 4004, 5003, WRBFP	TUK-WBC-4-GD		U30	VSTUK-WBC-4-GD
WBH 1000-4, 3000-5, 4000-6, 5000-10	TUK-WBH-0-GD		U30	VSTUK-WBH-0-GD
WBH 1005-9, 3006-9, 4007-14, 5011-20	TUK-WBH-5-GD		U30	VSTUK-WBH-5-GD
WBH 1010-11, 3010-11, 4015-16, 5021	TUK-WBH-10-GD		U30	VSTUK-WBH-10-GD
WBH 1012, 3012, 4017, 5022, WV BFP, WVHFP	TUK-WBH-12-GD		U30	VSTUK-WBH-12-GD
WBQ 1000-4, 3000-4, 4000-5, 5000-4	TUK-WBQ-0-GD		U30	VSTUK-WBQ-0-GD
WBQ 1005-9, 3005-10, 4006-13, 5005-14	TUK-WBQ-5-GD		U30	VSTUK-WBQ-5-GD
WBQ 1010, 3011, 4014, 5015	TUK-WBQ-10-GD		U30	VSTUK-WBQ-10-GD
WBQ 1011, 4015, WVAFA, WVGFA ..	TUK-WBQ-11-GD		U30	VSTUK-WBQ-11-GD
WBR 1000-4, 3000-4, 4000-4, 5000-3	TUK-WBR-0-GD		U30	VSTUK-WBR-0-GD
WBR 1005-8, 3005-9, 4005-11, 5004-12	TUK-WBR-5-GD		U30	VSTUK-WBR-5-GD
WBR 1009, 3010, 4012, 5013	TUK-WBR-9-GD		U30	VSTUK-WBR-9-GD
WBR 1010, 3011, 4013, 5014, WARFA	TUK-WBR-10-GD		U30	VSTUK-WBR-10-GD
WCG 1000-2,4	TUK-WCG-0-GD		U30	VSTUK-WCG-0-GD
WCG 1003	TUK-WCG-3-GD		U30	VSTUK-WCG-3-GD
WCG 1005-6, WV_CM	TUK-WCG-5-GD		U30	VSTUK-WCG-5-GD
WCH 1000-2	TUK-WCH-0-GD		U30	VSTUK-WCH-0-GD
WCH 1003-4	TUK-WCH-3-GD		U30	VSTUK-WCH-3-GD
WCQ 1001-6	TUK-WCQ-1-GD		U30	VSTUK-WCQ-1-GD
WCQ 1007-8	TUK-WCQ-7-GD		U30	VSTUK-WCQ-7-GD
WCQ 1009-10, WVECV, WVACB	TUK-WCQ-9-GD		U30	VSTUK-WCQ-9-GD
WCQ 6001, WVEEB	TUK-WCQ-60-GD		U30	VSTUK-WCQ-60-GD



INDEPENDENT COMPONENTS CORP.

528 Hempstead Turnpike, West Hempstead, NY 11552 • Phone 516-481-5100 FAX 516-481-5550
www.iccparts.com sales@iccparts.com • Toll Free: Phone 877-ICC-ICC3 FAX 800-814-8883

Gardner Denver

MODEL & RECORD OF CHANGE	STANDARD SIZE BEARINGS	.010 Under	.030 Under	VSTUKs
W SERIES MACHINES (continued)				
WEE 1000,4000-1, 5000-1.....	TUK-WEE-0-GD.....		U30	VSTUK-WEE-0-GD
WEE 1001, 4002	TUK-WEE-1-GD.....		U30	VSTUK-WEE-1-GD
WEE 1002, 4003, WRBFL.....	TUK-WEE-2-GD.....		U30	VSTUK-WEE-2-GD
WEG 1000-1, 4000	TUK-WEG-0-GD		U30	VSTUK-WEG-0-GD
WEG 1002, 4001	TUK-WEG-2-GD		U30	VSTUK-WEG-2-GD
WEG 1003, 4002, WEVBFL	TUK-WEG-3-GD		U30	VSTUK-WEG-3-GD
WXE 1000-5, 7000-6.....	TUK-WXE-0-GD.....		U30	VSTUK-WXE-0-GD
WXE 1006	TUK-WXE-6-GD.....		U30	VSTUK-WXE-6-GD
WXE 1007	TUK-WXE-7-GD.....		U30	VSTUK-WXE-7-GD
WXH 1000-3, 7000-2.....	TUK-WXH-0-GD		U30	VSTUK-WXH-0-GD
WXH 1004, 7003	TUK-WXH-4-GD		U30	VSTUK-WXH-4-GD
WXH 1005, WVFLP.....	TUK-WXH-5-GD		U30	VSTUK-WXH-5-GD
WXR 1000-1.....	TUK-WXR-0-GD		U30	VSTUK-WXR-0-GD
WXR 1002	TUK-WXR-2-GD		U30	VSTUK-WXR-2-GD
WXR 1003, WRALA	TUK-WXR-3-GD		U30	VSTUK-WXR-3-GD
Note: WXE1000-1, 7000-1, WXH1000, 7000 need 2 extra 60G35 Oil Seals; WXR1000, 7000 need 2 extra 60G34 Oil Seals.				
HIQ 1006, WVAIB.....	TUK-HIQ6-GD.....		U30	VSTUK- HIQ6-GD

L SERIES MACHINES TUK's are available for LAC, LAD & LAE compressors – contact us for information

Kits are available for other similar compressors. Please call for details.

G.D. PART NO.	I.C.C. PART NO.	G.D. PART NO.	I.C.C. PART NO.	G.D. PART NO.	I.C.C. PART NO.
CONNECTING ROD BEARING HALVES †					
200ADL174 (12U1) ...	CRB-U1-GD	202ADL174 (12T1)....	CRB-T1-GD	2013491 (12M1) (200WBO174)	
200ACR174 (12U3)...	CRB-U3-GD	202ACR174 (12T3)...	CRB-T3-GD	CRB-M1-GD
		200ASL174	CRB-ASL-GD	12M30 (12M3).....	CRB-M30-GD

† Price is for ONE HALF – Order TWO Per Connecting Rod.

CONNECTING ROD BEARING HALVES Undersized†					
(.010 Under).....	CRB-U1-10-GD	(.010 Under).....	CRB-T1-10-GD	(.010 Under).....	CRB-ASL-10-GD
(.030 Under) 201ADL174 (12U22)		(.030 Under) 203ADL174 (12T22)		(.030 Under).....	CRB-ASL-30-GD
.....	CRB-U1-30-GD	CRB-T1-30-GD	(.030 Under) 201WBO174 (12M20)	
(.010 Under).....	CRB-U3-10-GD	(.010 Under).....	CRB-T3-10-GD	CRB-M1-30-GD
(.030 Under) 201ACR174 (12U24)		(.030 Under) 203ACR174 (12T24)		(.030 Under) 12M31 (12M22)	
.....	CRB-U3-30-GD	CRB-T3-30-GD	CRB-M30-30-GD

† Price is for ONE HALF – Order TWO Per Connecting Rod.

PISTON PINS					
62F7	PIN-WCG-GD	62F24	PIN-ADR-HP-GD	62F90.....	PIN-ASL-HP-GD
62F12	PIN-ADD-LP-GD	62F32	PIN-ADS-LP-GD	200ASL505	PIN-ASL-LP-GD
62F21	PIN-ADO-HP-GD	62F33	PIN-ADS-HP-GD	202ASL505	PIN-ASL505-GD
62F22	PIN-ADO-LP-GD	62F63	PIN-ADL-LP-GD	202MLA189.....	PIN-202MLA-GD
62F23	PIN-ADR-LP-GD	62F64	PIN-ADL-HP-GD		

PISTON PIN BUSHINGS					
12BA131 (12F55)	BUS-BA131-GD	12BA135 (12F31) (12F33)	BUS-BA135-GD	12AO13.....	BUS-A13-GD
12BA132 (12F14) (12F34)	BUS-BA132-GD	12AO5	BUS-A05-GD	12AO14.....	BUS-A14-GD
12BA133 (12F13).....	BUS-BA133-GD	12AO7	BUS-A07-GD	12GD17.....	BUS-GD17-GD
12BA134 (12F54) (12F57)	BUS-BA134-GD	12AO12.....	BUS-A12-GD		

OIL SEALS					
60G8.....	OS-G8-GD	60G41	OS-G41-GD	60G195	OS-G195-GD
60G10.....	OS-G10-GD	60G47 (60G265)	OS-G47-GD	60G217	OS-G217-GD
60G19.....	OS-G19-GD	60G87	OS-G87-GD	60G220	OS-G220-GD
60G21.....	OS-G21-GD	60G95	OS-G95-GD	60G221	OS-G221-GD
60G23.....	OS-G23-GD	60G105	OS-G105-GD	60G230	OS-G230-GD
60G34.....	OS-G34-GD	60G114	OS-G114-GD		
60G35.....	OS-G35-GD	60G115	OS-G115-GD		



INDEPENDENT COMPONENTS CORP.

528 Hempstead Turnpike, West Hempstead, NY 11552 • Phone 516-481-5100 FAX 516-481-5550
www.iccparts.com sales@iccparts.com • Toll Free: Phone 877-ICC-ICC3 FAX 800-814-8883

Gardner Denver

HEAD OVERHAUL KITS HOK's with Wearing Valve Parts.

To simplify ordering parts for single machine valve and cylinder head repair, HEAD OVERHAUL KITS have been assembled with all necessary valve discs, valve springs, and where used, dampening plates, valve guides, & unloader diaphragms, unloader springs where used (unless marked with a Φ), valve seat gaskets, valve cover gaskets, and head gaskets to recondition valves for one compressor. Please order the correct filter element from the listing in the AIR & OIL FILTER Section.

VALVE SET HEAD OVERHAUL KITS VSHOK's with Complete Replacement Valves.

VSHOK's have been assembled which include all parts in HOK's, with Complete Replacement Valves (current style) instead of Wearing Valve Parts. Unloader kickoff pins & springs are also included, if required.

MODEL & RECORD OF CHANGE	HOK Part	VSHOKs
A SERIES MACHINES		
ACC 1000-1008 & 9001	HOK-ACC-GD	N/A
ACD 1002 & 9000	HOK-ACD-GD	N/A
ACL 1000	HOK-ACL-0-GD	VSHOK-ACL-0-GD
ACL 1001	HOK-ACL-1-GD	VSHOK-ACL-1-GD
ACL 1002, 1500 & AVLAK, AVLHK	HOK-ACL-2-GD	VSHOK-ACL-2-GD
ACL 9000-1, 9500-1, AVLEK, AVLGK	HOK-ACL-9-GD	VSHOK-ACL-9-GD
ACM 1000-1004 & 9000-9001	HOK-ACM-GD	VSHOK-ACM-GD
ACO 1000-3, & AVSAP, AVSHP	HOK-ACO-0-GD	VSHOK-ACO-0-GD
ACO 9000-3 & AVSEP, AVSGP	HOK-ACO-9-GD	VSHOK-ACO-9-GD
ACR 1000-7 & AVSAT, AVSHT	HOK-ACR-0-GD	VSHOK-ACR-0-GD
ACR 9000-9504, AVSET, AVSGT	HOK-ACR-9-GD	VSHOK-ACR-9-GD
ACS 1000	HOK-ACS-0-GD	VSHOK-ACS-0-GD
ACS 1001-1006, AVSAU, AVSHU	HOK-ACS-1-GD	N/A
ACS 9000, 9500	HOK-ACS-9-GD	VSHOK-ACS-9-GD
ACS 9001-7, 9501-5, AVSEU, AVSGU	HOK-ACS-91-GD	N/A
ADA 1000-6 & ATAAA & ATACA	HOK-ADA-GD	N/A
ADD 1000-4 & ADD 1010	HOK-ADD-1 GD	N/A
ADD 1011-14, ADDB9A9A, B9A,C9A, D9A ATDAD & ADEAD	HOK-ADD-2-GD	VSHOK-ADD-2-GD
ADD 9500 & ADDB9G9A, & ATDCD, ATECD	HOK-ADD-9-GD	VSHOK-ADD-9-GD
ADK 1000-1002	HOK-ADK-GD	N/A
ADL 1000 & 1002	HOK-ADL-0-GD	VSHOK-ADL-0-GD
ADL 1001	HOK-ADL-1-GD	VSHOK-ADL-1-GD
ADL 1003 & AVLAL	HOK-ADL-3-GD	VSHOK-ADL-3-GD
ADO 1000-1005 & ADOA1000-1001	HOK-ADO-0-GD	VSHOK-ADO-0-GD
ADO 1006 & ADOA 1002 & AVSAO	HOK-ADO-6-GD	VSHOK-ADO-6-GD
ADQ 1001-7	HOK-ADQ-GD	VSHOK-ADQ-GD
ADR 1000-1013 & ADRA1000-1001	HOK-ADR-1-GD	VSHOK-ADR-1-GD
ADR 1014 & ADRA 1002 & AVSAR	HOK-ADR-14-GD	VSHOK-ADR-14-GD
ADS 1000 -1011, ADSA 1000-1002	HOK-ADS-0-GD	N/A
ADS 1012 & ADSA 1003 & AVSAS	HOK-ADS-12-GD	VSHOK-ADS-12-GD
AOL 1000-2, AVLAN	HOK-AOL-GD	VSHOK-AOL GD
AVL_V	HOK-AVLV-GD	VSHOK-AVLV-GD
AVLAW, AVLHW	HOK-AVLAW-GD	VSHOK-AVLAW-GD
AVLEW, AVLGW	HOK-AVLEW-GD	VSHOK-AVLEW-GD
Combo (Suct & Disch Valve) Pressure Lube		
ANPEA (1stg LP Nat Gas)	HOK-ANPE-GD	VSHOK-ANPE-GD
ANPHA (1stg HP Nat Gas)	HOK-ANPH-GD	VSHOK-ANPH-GD
AS & AP_A (2stg, Pres Lube, Unl. Ver 4+)	HOK-APLA-4-GD	*VSHOK-APLA-4-GD
AS & AP_C (2stg, Pres Lube, Plain Ver 4+)	HOK-APLC-4-GD	*VSHOK-APLC-4-GD
AS & AP_G (1stg, Pres Lube, Unl. Ver 4+)	HOK-APLG-4-GD	*VSHOK-APLG-4-GD
AS & AP_H (1stg, Pres Lube, Plain Ver 4+)	HOK-APLH-4-GD	*VSHOK-APLH-4-GD
AQPD (1stg, P Lub Boost, Unl. Ver 4+)	HOK-AQPD-GD	*VSHOK-AQPD-GD
AQPE (1stg, P Lub Boost, Plain Ver 4+)	HOK-AQPE-GD	*VSHOK-AQPE-GD
ATLE6A (1stg, Pres Lube, Plain Ver 1+)	HOK-ATLEA-1-GD	VSHOK-ATLEA-1-GD
ATLE6B (1stg, Pres Lube, Unl. Ver 1)	HOK-ATLEB-1-GD	VSHOK-ATLEB-1-GD

* These VSHOK's are also good for Versions 1-3 (original valves are obsolete and parts are not available)

L SERIES MACHINES

HOK's are available for LAC, LAD & LAE compressors – contact us for information



INDEPENDENT COMPONENTS CORP.

528 Hempstead Turnpike, West Hempstead, NY 11552 • Phone 516-481-5100 FAX 516-481-5550
www.iccparts.com sales@iccparts.com • Toll Free: Phone 877-ICC-ICC3 FAX 800-814-8883

Gardner Denver

MODEL & RECORD OF CHANGE W SERIES MACHINES	HOK Part	VSHOKs
WAH 1006-7	HOK-WAH-6-GD	VSHOK-WAH-6 GD
WAH 1008-11, 6000, & WVBHQ, JQ, AQ, KQ WVBIQ, WVBDQ	HOK-WAH-8-GD	VSHOK-WAH-8-GD
WAQ 1002-3, 4002-3, 6001, WVAIB, & WVADB, JB, HB, IB, KB & HIQ6000 WAQ 6000	HOK-WAQ-2-GD	VSHOK-WAQ-2-GD
	HOK-WAQ-60-GD	VSHOK-WAQ-60-GD
WBC 1000,1 & 3000,1 & 4000,1 & 5000,1	HOK-WBC-0-GD	VSHOK-WBC-0-GD
WBC 1002,3 & 3002 & 4002-3 & 5002	HOK-WBC-2-GD	VSHOK-WBC-2-GD
WBC 1004 & 3003 & 4004 & 5003 & WRBFP	HOK-WBC-4-GD	VSHOK-WBC-4-GD
WBH 1000-4, 3000-5, 4000-6, 5000-10	HOK-WBH-0-GD	VSHOK-WBH-0-GD
WBH 1005-9, 3006-9, 4007-14, 5011-20	HOK-WBH-5-GD	VSHOK-WBH-5-GD
WBH 1010-12, 3010-12,4015-17, 5021-22 WVBF, WVHFP	HOK-WBH-10-GD	VSHOK-WBH-10-GD
WBJ	HOK-WBJ-GD	VSHOK-WBJ-GD
WBQ 1000 -4 & 3000-4 & 4000-5 & 5000-4	HOK-WBQ-0-GD	VSHOK-WBQ-0-GD
WBQ 1005 -9 & 3005-10 & 4006-13 & 5005-14 ..	HOK-WBQ-5-GD	VSHOK-WBQ-5-GD
WBQ 1010 & 3011 & 4014 & 5015	HOK-WBQ-10-GD	VSHOK-WBQ-10-GD
WBQ 1011 & 4015 & WVAFA & WVGFA	HOK-WBQ-11-GD	VSHOK-WBQ-11-GD
WBR 1000-4 & 3000-4 & 4000-4 & 5000-3	HOK-WBR-0-GD	VSHOK-WBR-0-GD
WBR 1005-8 & 3005-9 & 4005-11 & 5004-12	HOK-WBR-5-GD	VSHOK-WBR-5-GD
WBR 1009 & 3010 & 4012 & 5013	HOK-WBR-9-GD	VSHOK-WBR-9-GD
WBR 1010 & 3011 & 4013 & 5014 & WRAFA.....	HOK-WBR-10-GD	VSHOK-WBR-10-GD
WCG 1000-2, 1004	HOK-WCG-0-GD	VSHOK-WCG-0-GD
WCG 1003	HOK-WCG-3-GD	VSHOK-WCG-3-GD
WCG 1005-6, & WV_CM	HOK-WCG-5-GD	VSHOK-WCG-5-GD
WCH 1000-2	HOK-WCH-0-GD	VSHOK-WCH-0-GD
WCH 1003-4, & WVFCQB	HOK-WCH-3-GD	VSHOK-WCH-3 GD
WCQ 1001-6	HOK-WCQ-1-GD	VSHOK-WCQ-1-GD
WCQ 1007-10, 6001, & WVECW, WVACB, WVEEB	HOK-WCQ-7-GD	VSHOK-WCQ-7-GD
WEE 1000, 4000-1, 5000-1	HOK-WEE-0-GD	VSHOK-WEE-0-GD
WEE 1001, 4002	HOK-WEE-1-GD	VSHOK-WEE-1-GD
WEE 1002, 4003, WRBFB	HOK-WEE-2-GD	VSHOK-WEE-2 GD
WEF 1001	HOK-WEF-1-GD	VSHOK-WEF-1-GD
WEF 1002, 4000	HOK-WEF-2-GD	VSHOK-WEF-2-GD
WEF 1003, 4001	HOK-WEF-3-GD	VSHOK-WEF-3-GD
WEF 1004, 4002	HOK-WEF-4-GD	VSHOK-WEF-4-GD
WEG 1000-1, 4000	HOK-WEG-0-GD	VSHOK-WEG-0-GD
WEG 1002, 4001	HOK-WEG-2-GD	VSHOK-WEG-2-GD
WEG 1003, 4002, & WEVBFL	HOK-WEG-3-GD	VSHOK-WEG-3-GD
WEJ 1000-2, 1006, 3001-2, 4000-1	HOK-WEJ-0-GD	VSHOK-WEJ-0-GD
WEJ 1007-8, 3004, 4006-7	HOK-WEJ-7-GD	VSHOK-WEJ-7-GD
WEJ 1009-10, 3005, 4008-9, & WVC_T	HOK-WEJ-9-GD	VSHOK-WEJ-9-GD
WEK 1000-4, 4000-1	HOK-WEK-0-GD	VSHOK-WEK-0-GD
WEK 1006, 4003, WVC_S	HOK-WEK-6-GD	VSHOK-WEK-6-GD
WLA	HOK-WLA-GD	VSHOK-WLA-GD
WXE 1000-5, 7000-6	HOK-WXE-0-GD	VSHOK-WXE-0-GD
WXE 1006	HOK-WXE-6-GD	VSHOK-WXE-6-GD
WXE 1007	HOK-WXE-7-GD	VSHOK-WXE-7-GD
WXH 1000-3, 7000-2	HOK-WXH-0-GD	VSHOK-WXH-0-GD
WXH 1004, 7003	HOK-WXH-4-GD	VSHOK-WXH-4-GD
WXH 1005, & WVFLP	HOK-WXH-5-GD	VSHOK-WXH-5-GD
WXR 1000-1	HOK-WXR-0-GD	VSHOK-WXR-0-GD
WXR 1002	HOK-WXR-2-GD	VSHOK-WXR-2-GD
WXR 1003, & WRALA	HOK-WXR-3-GD	VSHOK-WXR-3-GD

Kits are available for other similar compressors. Please call for details.



INDEPENDENT COMPONENTS CORP.

528 Hempstead Turnpike, West Hempstead, NY 11552 • Phone 516-481-5100 FAX 516-481-5550
www.iccparts.com sales@iccparts.com • Toll Free: Phone 877-ICC-ICC3 FAX 800-814-8883

Gardner Denver

Piston Ring Chart

GARDNER DENVER MODELS

GARDNER DENVER MODELS	LOW PRESSURE		HIGH PRESSURE	
	QTY	I.C.C. PART NO.	QTY	I.C.C. PART NO.
ACC1001-8, ASCAC.....	1	RK-ACC-GD		
ACD1002.....	2	RK-ACC-GD		
ASCAE.....	1	RK-ASCAE-GD		
ACM1000-4, ATDAM.....	2	RK-ACM-GD		
ACL1000-2, AVLAK.....	2	RK-ADL-LP-GD		
ACL 1500, AVLHK.....	2	RK-ACL-C-GD		
ACL9000-1, 9500-1, AVLEK, AVLKG.....	2	RK-ACL-V-GD		
AVLAN.....	2	RK-ADL-HP-GD		
ACO1002-3, AVSAP.....	2	RK-ADO-LP-GD		
ACO 9000-3, 9500-3, AVSHP.....	2	RK-ACO-C-GD		
ACR1000-7, AVSAT.....	2	RK-ADR-LP-GD		
ACS1000-6, AVSAU.....	2	RK-ADS-LP-GD		
ADD1000-14, ADDB9_9A (not G), ATDAD, ATDCD, ATEAD, ATECD.....	1	RK-ADD-GD		(Low & High Pressure)
ADK1000-2, ATKAK.....	1	RK-ADK-GD		(Low & High Pressure)
ADL1001-3, AVLAL.....	1	RK-ADL-LP-GD	1	RK-ADL-HP-GD
AVLAV.....	1	RK-AVL-V-LP-GD	1	RK-ADL-HP-GD
ADO1000-6, ADOA1000-2, AVSAO.....	1	RK-ADO-LP-GD	1	RK-ADO-HP-GD
ADR1000-14, ADRA1000-2, AVSAR.....	1	RK-ADR-LP-GD	1	RK-ADR-HP-GD
ADS1000-12, 9000-8, ADSA1000-3, AVSAS.....	1	RK-ADS-LP-GD	1	RK-ADS-HP-GD
AOL1001-2, AVLAN.....		none	2	RK-ADL-HP-GD
ARD, ARE, ASD, ASE, ASK.....	1	RK-ASK-GD		(Low & High Pressure)
AVSEP, AVSGP.....	2	RK-ACO-V-GD		
AS, AP, WLA (qty depends on configuration) Compressors (2-comp, 1-scrp. 2-oil).....	1	RK-ASL-LP-1-GD	1	RK-ADL-HP-GD
AS, AP, (qty depends on configuration), AQ, ATL, ANP (3-comp, 1 oil).....	1	RK-ASL-LP-2-GD	1	RK-ADL-HP-GD
AVLAW.....	2	RK-AVL-V-LP-GD		
WAH 1006-7.....	6	RK-WBC-LP-1-GD		
WAH 1008-11, WVBHQ, WVBJQ, WVBKQ, WVBAQ.....	6	RK-WCH-LP-3-GD		
WAH 6000, WVBIQ, HAH6000, WVBDQ.....	6	RK-WAH-LP-0-GD		
WAQ 1002, 4002.....	6	RK-WBR-LP-2-GD		
WAQ 1003, 4003, WVAJB, WVAHB, WVAKB.....	6	RK-WBR-LP-3-GD		
WAQ 6000-1, WIQ 6000, WVAIB, WVADB, HIQ6000.....	6	RK-WAQ-LP-6-GD		
WBC 1000,3000,4000,5000.....	2	RK-WBC-LP-1-GD	1	RK-WBC-HP-1-GD
WBC 1001,3001,4001,5001.....	2	RK-WBC-LP-1-GD	1	RK-WBC-HP-2-GD
WBC 1002-3,3002,4002-3,5002.....	2	RK-WBC-LP-2-GD	1	RK-WBC-HP-2-GD
WBC 1004, 3003, 4004, 5003, WRBFP.....	2	RK-WBC-LP-3-GD	1	RK-WBC-HP-2-GD
WBH 1000-9,3000-9,4000-14,5000-20.....	4	RK-WBC-LP-1-GD	2	RK-WBH-HP-1-GD
WBH 1010-11,3010-11,4015-16, 5021.....	4	RK-WBC-LP-2-GD	2	RK-WBC-HP-2-GD
WBH 1012, 3012, 4017, 5022, WVBFP, WVHFP.....	4	RK-WBC-LP-3-GD	2	RK-WBC-HP-3-GD
WBQ 1000-9 3000-10, 4000-13, 5000-14.....	4	RK-WBR-LP-1-GD	2	RK-WBR-HP-1-GD
WBQ 1010, 3011, 4014, 5015.....	4	RK-WBR-LP-2-GD	2	RK-WBR-HP-2-GD
WBQ 1011, 4015, WVAFA, WVGFA.....	4	RK-WBR-LP-3-GD	2	RK-WBR-HP-2-GD
WBR 1000-1008, 3000-3009, 4000-4011, 5000-5012.....	2	RK-WBR-LP-1-GD	1	RK-WBR-HP-1-GD
WBR 1009, 3010, 4012, 5013.....	2	RK-WBR-LP-2-GD	1	RK-WBR-HP-2-GD
WBR 1010, 3011, 4013, 5014, WRAFA.....	2	RK-WBR-LP-3-GD	1	RK-WBR-HP-2-GD
WCG 1000-4.....	6	RK-WXE-LP-1-GD		
WCG 1005-6,WVFCM, WVBCM.....	6	RK-WEE-LP-GD		
WCH 1000-2.....	6	RK-WBC-LP-1-GD		
WCH 1003-4, WVFCQ.....	6	RK-WCH-LP-3-GD		
WCQ 1001-2, 1004-6.....	6	RK-WBR-LP-1-GD		
WCQ 1007-8.....	6	RK-WBR-LP-2-GD		
WCQ 1009-10, WVECB, WVACB.....	6	RK-WBR-LP-3-GD		
WCQ 6001, WVEEB.....	6	RK-WBR-LP-3-GD		
WEE 1000-2, 4000-3,5000-1, WRBFK.....	2	RK-WEE-LP-GD	1	RK-WBR-HP-2-GD
WEF 1000-4, 4000-2.....		N/A	1	RK-WBR-HP-2-GD
WEG 1000-1, 4000.....		N/A	2	RK-WEG-HP-GD
WEG 1000-3, 4000-2.....	4	RK-WEE-LP-GD	2	RK-WEG-HP-GD
WXE 1000-5, 7000-6.....	2	RK-WXE-LP-1-GD	1	RK-WBH-HP-1-GD
WXE 1006, 1007.....	2	RK-WXE-LP-2-GD	1	RK-WBC-HP-2-GD
WXH 1000-1003, 7000-2.....	4	RK-WBC-LP-1-GD	2	RK-WBH-HP-1-GD
WXH 1004,7003.....	4	RK-WBC-LP-2-GD	2	RK-WBC-HP-2-GD
WXH 1005,WVFLP.....	4	RK-WCH-LP-3-GD	2	RK-WBC-HP-3-GD
WXR 1000-1,7000-2.....	2	RK-WBR-LP-1-GD	1	RK-WBR-HP-1-GD
WXR 1002.....	2	RK-WBR-LP-2-GD	1	RK-WBR-HP-2-GD
WXR 1003, WRALA.....	2	RK-WBR-LP-3-GD	1	RK-WBR-HP-2-GD



INDEPENDENT COMPONENTS CORP.

528 Hempstead Turnpike, West Hempstead, NY 11552 • Phone 516-481-5100 FAX 516-481-5550
www.iccparts.com sales@iccparts.com • Toll Free: Phone 877-ICC-ICC3 FAX 800-814-8883

Gardner Denver

G.D. PART NUMBERS	I.C.C. PART NO.	G.D. PART NUMBERS	I.C.C. PART NO.
PISTON RING KITS ICC uses a 3 piece Steel Rail Oil Ring, in place of the Cast Iron Oil Ring, in most GD Piston Ring Kits 3-3/4" and larger. We believe this will give better oil control.			
ASC74961	RK-ACC-GD	LAF79187	RK-LAF-HP-1-GD
AVL75015 (Combination)	RK-ACL-C-GD	LAF79188	RK-LAF-HP-2-GD
AVL75014 (Vacuum)	RK-ACL-V-GD		
ATD74965	RK-ACM-GD	WVB75064	RK-WAH-LP-0-GD
		WVA75065	RK-WAQ-LP-6-GD
AVS75016 (Combination)	RK-ACO-C-GD		
AVS75017 (Vacuum)	RK-ACO-V-GD		RK-WBC-HP-1-GD
ATD74976	RK-ADD-GD		RK-WBC-HP-2-GD
ATA74969	RK-ADA-GD	WRB75053	RK-WBC-HP-3-GD
ATK75092	RK-ADK-GD		
			RK-WBC-LP-1-GD
AVL74994 (AVL80853)	RK-ADL-LP-GD		RK-WBC-LP-2-GD
AVL74995 (AVL80854)	RK-ADL-HP-GD	WRB75052	RK-WBC-LP-3-GD
AVS74999 (AVS80855)	RK-ADO-LP-GD		
AVS75001	RK-ADO-HP-GD		RK-WBH-HP-1-GD
AVS75005 (AVS80856)	RK-ADR-LP-GD		RK-WBR-HP-1-GD
AVS75006	RK-ADR-HP-GD	WVA75060	RK-WBR-HP-2-GD
AVS75012 (AVS80857)	RK-ADS-LP-GD		RK-WBR-LP-1-GD
AVS75013	RK-ADS-HP-GD		RK-WBR-LP-2-GD
		WVA75048	RK-WBR-LP-3-GD
201ASL6012 (200ASL6012)	RK-ASL-LP-1-GD		
202ASL6012	RK-ASL-LP-2-GD	WVF75034	RK-WCH-LP-3-GD
		WVB75031	RK-WEE-LP-GD
AVL75631	RK-AVLV-LP-GD	WVB75062	RK-WEG-HP-GD
ASC74962	RK-ASCAE-GD		
ASK80827	RK-ASK-GD		RK-WXE-LP-1-GD
			RK-WXE-LP-2-GD
LAF75073 (LAF79186)	RK-75073-GD		

G.D. PART NO.	I.C.C. PART NO.	G.D. PART NO.	I.C.C. PART NO.	G.D. PART NO.	I.C.C. PART NO.
INDIVIDUAL PISTON RINGS					
65A137	PR-A137-GD	65AA18	PR-AA18-GD	65AM207	PR-AM207-GD
65A220	PR-A220-GD	65AA20	PR-AA20-GD	65AM279	PR-AM279-GD
65A235 (65A275)	PR-A235-GD	65AA21	PR-AA21-GD	65AM280	PR-AM280-GD
65A239 (65A294)	PR-A239-GD	65AA53	PR-AA53-GD	65AM358	PR-AM358-GD
65A248	PR-A248-GD	65AA54	PR-AA54-GD	65AM362	PR-AM362-GD
65A260 (65A272)	PR-A260-GD	65AB15	PR-AB15-GD	65AM365 (65R1)	PR-AM365-GD
65A273	PR-A273-GD	65AB17	PR-AB17-GD	65R25	PR-R25-GD
65A274	PR-A274-GD	65AB18	PR-AB18-GD	65S9	PR-S9-GD
65A276	PR-A276-GD	65AB35	PR-AB35-GD	65S11	PR-S11-GD
65A277	PR-A277-GD	65AB58	PR-AB58-GD	65S12	PR-S12-GD
65A278	PR-A278-GD	65AK16	PR-AK16-GD	65S14 (65AM110)	PR-S14-GD
65A279	PR-A279-GD	65AK28 (65Z10)	PR-AK28-GD	65S15	PR-S15-GD
65A280	PR-A280-GD	65AK6 (65AE30)	PR-AK6-GD	65S16	PR-S16-GD
65A281	PR-A281-GD	65AM76	PR-AM76-GD	65S17	PR-S17-GD
65A282	PR-A282-GD	65AM80	PR-AM80-GD	65S18 (65AM112)	PR-S18-GD
65A284 (65AA32)	PR-A284-GD	65AM88	PR-AM88-GD	65S19 (65AM351)	PR-S19-GD
65A285	PR-A285-GD	65AM91	PR-AM91-GD	65S20 (65AM352)	PR-S20-GD
65A287	PR-A287-GD	65AM100	PR-AM100-GD	65S21 (65AM109)	PR-S21-GD
65A288	PR-A288-GD	65AM106	PR-AM106-GD	65S30 (65AM114) (Cast Iron with spring)	PR-S30-GD
65A293	PR-A293-GD	65AM107	PR-AM107-GD		
65A315	PR-A315-GD	65AM108	PR-AM108-GD	65S37	PR-S37-GD
65A337	PR-A337-GD	65AM116 (65R3)	PR-AM116-GD	65S51	PR-S51-GD
65A342	PR-A342-GD	65AM118	PR-AM118-GD	65S53	PR-S53-GD
65A366	PR-A366-GD	65AM124	PR-AM124-GD	65T7	PR-T7-GD
65AA4	PR-AA4-GD	65AM132	PR-AM132-GD	65V1	PR-V1-GD



INDEPENDENT COMPONENTS CORP.

528 Hempstead Turnpike, West Hempstead, NY 11552 • Phone 516-481-5100 FAX 516-481-5550
www.iccparts.com sales@iccparts.com • Toll Free: Phone 877-ICC-ICC3 FAX 800-814-8883

Gardner Denver

G.D. PART NO.	I.C.C. PART NO.	G.D. PART NO.	I.C.C. PART NO.	G.D. PART NO.	I.C.C. PART NO.
INDIVIDUAL PISTON RINGS (cont.)					
65V3 (65V15)	PR-V3-GD	65V7	PR-V7-GD	65V13	PR-V13-GD
65V4	PR-V4-GD	65V8	PR-V8-GD	65V14	PR-V14-GD
65V5	PR-V5-GD	65V9	PR-V9-GD	65V16	PR-V16-GD
65V6	PR-V6-GD	65V10	PR-V10-GD	65V17	PR-V17-GD
		65V12	PR-V12-GD	65V26	PR-V26-GD
PISTONS (Limited Stock Available)					
ADL15A	PST-ADL-HP-GD	202AVL015.....	PST-ADL-LP-GD	AVL80866	PSTR-ADL-HP-GD
UNLOADER ASSEMBLIES					
2109524.....	UNL-9524-GD				
UNLOADER FINGERS					
2010423.....	UNF-0423-GD	2109138	UNF-9138-GD	203ASL183	UFIN-203ASL-GD
2010778.....	UNF-0778-GD	202ASL183.....	UFIN-202ASL-GD		
UNLOADER DIAPHRAGMS					
2AAB215 Black.....	2DPH-215-GD	60DD5	SL-DD5-GD	2HAC320.....	2DPH-320-GD
4AAB215 Red.....	4DPH-215-GD	HAC320 (201ADK215)	DPH-320-GD	AUX100	DPH-100-GD
UNLOADER SPRINGS					
78A21	UNSP-21-GD	78A135	UNSP-135-GD	78W46	UNSP-W46-GD
78A51	UNSP-51-GD	78A160	UNSP-160-GD	2109139	UNSP-9139-GD
78A60	UNSP-60-GD	78A174	UNSP-A174-GD	2109533	UNSP-9533-GD
78A97	UNSP-A97-GD	78A394	UNSP-394-GD	2109996	UNSP-9996-GD
78A124	UNSP-124-GD	78A395	UNSP-395-GD		
78A126	UNSP-126-GD	78A396	UNSP-396-GD		
UNLOADER PIN for VB Valves					
VB218.....	UPIN-218-GD	VB30218.....	UPIN-3218-GD		
OTHER UNLOADER PARTS, CLAMPS & COVERS					
VB706	RET-706-GD	3ABL467	UPLUP-3ABL-GD	AAG194	VCLM-AAG-GD
1WAU274	DCAP-215-GD	1ABL194	VCLM-1ABL-GD	1WBG185.....	VCOV-1WBG-GD
1ABL217	UPLLW-1ABL-GD	1VB42452.....	VCLM-1VB42-GD	2ABL185	VCOV-2ABL-GD
1WBG217	UPLLW-1WBG-GD	1WBG194	VCLM-1WBG-GD	75LM7	SCR-LM7-GD
1WBG467	UPLUP-1WBG-GD	6ABL194.....	VCLM-6ABL-GD	200VDL706	RET-200VDL-GD
PACKING					
1RLB16.....	PAK-1RLB16-GD	RLC16	PAK-RLC16-GD	60F30	PAK-60F30-GD
1RLD16 (61K71).....	PAK-1RLD-GD	RLE16	PAK-RLE16-GD	60AM46.....	PAK-AM46-GD
4RLA16.....	PAK-4RLA-GD	60F17	PAKM-F17-GD	60AM48	PAK-AM48-GD
4RLB16.....	PAK-4RLB16-GD	60F18	PAK-F18-GD	60AM49	PAK-AM49-GD
6RLD16 (61K77).....	PAK-6RLD-GD	60F20	PAK-60F20-GD		
RLB16.....	PAK-RLB16-GD	60F24	PAK-F24-GD		
MISC					
74D50	RR-74D50-GD	2009741	OPG-9741-GD		
MAIN BEARINGS					
12C3	RB-C3-GD	12C21	RB-C21-GD	12C29.....	RB-C29-GD
12C15	RB-C15-GD	12C22	RB-C22-GD	12C67	RB-C67-GD
12C16	RB-C16-GD	12C28	RB-C28-GD		
SAFETY VALVES					
90AR511 (90G108) ...	SV-AR511-GD	90AR867 (90G39)	SV-AR867 GD	90AR941	SV-AR941-GD

Please call for price and delivery of part numbers not listed

Independent Components Corp. Is an independent supplier of compressor replacement parts and is not affiliated with manufacturers mentioned in this catalog. The original manufacturers product description and/or part number is given for reference only.



INDEPENDENT COMPONENTS CORP.

528 Hempstead Turnpike, West Hempstead, NY 11552 • Phone 516-481-5100 FAX 516-481-5550
www.iccparts.com sales@iccparts.com • Toll Free: Phone 877-ICC-ICC3 FAX 800-814-8883

Gardner Denver

G.D. PART NO.	I.C.C. PART NO.	G.D. PART NO.	I.C.C. PART NO.	G.D. PART NO.	I.C.C. PART NO.
GASKET KITS					
ACC7GS (ACC50867)	GK-ACC-GD	AVL75663	GK-AVLW-GD	WBE9GS	GK-WBE-GD
ACD3GS	GK-ACD-GD	ACS52863	GK-ACS-GD	WBH11GS	GK-WBH-GD
.....	GK-ACH-GD	ACR2GS	GK-ACR-GD	WBQ10GS	GK-WBQ-GD
ACM1GS	GK-ACM-GD	ACO54880	GK-ACO-GD	WCG59787	GK-WCG-GD
ADA5GS	GK-ADA-GD	ACL62597	GK-ACL-GD	WCH61926	GK-WCH-GD
ADD1GS	GK-ADD-GD	AOL1GS	GK-AOL-GD	WEG63869	GK-WEG-GD
ADO54545 (2007380)	GK-ADO-GD	ASL81707	GK-AQP-GD	GK-WRN-GD
ADF58361	GK-ADK-GD	200ASK6007	GK-ASK-GD	GK-WXE-GD
2007452	GK-ADL-GD	ASK80825	GK-ASK-1-GD	GK-WXO-GD
.....	GK-ADQ-GD	ASL81705	GK-ASL-GD	WXR53093	GK-WXR-GD
2007366 (ADR2GS) ..	GK-ADR-GD	WBR10GS	GK-WBR-GD	2013258	GK-LAC-GD
ADS3GS (2007365) ..	GK-ADS-GD	WVB74022	GK-WAH-GD	2007932	GK-LAD-E-GD
AVL75629	GK-AVLV-GD	WVA75066	GK-WAQ-GD	LBF68374	GK-LAF-GD
.....		WBC61732	GK-WBC-GD		

SHIM SETS & SHIMS

77B16	SS-B16-GD	77A102	SHM-102-GD	77A141	SH-141-GD
77B18	SS-B18-GD	77A103	SHM-103-GD	77A142	SH-142-GD
77B22	SS-B22-GD	77A134	SH-134-GD	202ASL732	SH-2ASL-GD
77B23	SS-B23-GD	77A135	SH-135-GD	203ASL732	SH-3ASL-GD
208ASL732 (77G34) .	SS-8ASL-GD	77A136	SH-136-GD	204ASL732	SH-4ASL-GD
77A101	SHM-101-GD	77A140	SH-140-GD		

G.D. PART NUMBERS	I.C.C. PART NO.	G.D. PART NUMBERS	I.C.C. PART NO.
HEAD GASKETS			
25C428N (25C428)	HG-ADA-GD	200WEJ715N (200WEJ715)	HGL-WEJ-GD
25C516N (25C516)	HG-ACD-GD	201WEJ715N (200WEJ715)	HGH-WEJ-GD
25C2305N (25C2305)	HG-ACH-GD	25C560N	HGL-WBQ-GD
25C1187N (25C1187)	HG-ACM-GD	25C529N (25C529)	HGH-WBQ-GD
25C402N (25C402)	HG-ADD-GD	25C635N (25C635) (200WLE715)	HGL-WXE-GD
25C1179N (25C1179)	HGL-ADS-GD	25C636N (25C636)	HGH-WXE-GD
25C1189N (25C1189)	HGH-ADS-GD	25C1259N (25C1259)	HGL-WXR-GD
25C638N (25C638)	HGL-ADR-GD	25C575N (25C575)	HGH-WXR-GD
25C1510N (25C1510)	HGL-ADO-GD	25C1604 (200LAB715)	HG-LAC-1-GD
25C1407N (25C1407)	HGH-ADO-GD	LAC715 (200LAB715N)	HG-LAC-3-GD
25C1883N (25C1883)	HGL-ADL-GD	25C2042	HG-LAD-GD
25C1884N (25C1884) 205AVL715	HGH-ADL-GD	25C2043	HG-LAE-GD
202ASK715N (202ASK715)	HG-ASK-GD	25C1672N	HG-1672-GD
201AVL715N (201AVL715)	HGL-AVL-GD	25C2537B (25C2537)	HG-2537B-GD
25C570N	HGL-WBR-GD	25C368	HG-368-GD
25C552N	HGH-WBR-GD	25C938N (25C938)	HG-938-GD
25C2052N (25C2052)	HGL-WBC-GD	25C99	HG-C99-GD
25C2636 (25C559) 223WLN715	HGH-WBC-GD	220MLA715N (220MLA715)	HG-220MLA-GD
25C558	HGL-WBE-GD	224MCY715	HG-224MCY-GD ‡
25C1329N (25C1329)	HGL-WBJ-GD	224WLN715	HG-224WLN-GD ‡
25C1331N (25C1331)	HGH-WBJ-GD	238MCY715	HG-238MCY-GD
25C1346N (25C1346)	HGL-WBK-GD	249MLE715 (214MLE715)	HG-249MLE-GD
25C1347N (25C1347)	HGH-WBK-GD	271MLA715 (230MLA715)	HG-271MLA-GD
25C519N (25C519)	HGL-WBH-GD	282MLA715	HG-282MLA-GD
203WLG715 (25C520) 25C2543	HGH-WBH-GD	283MLA715 (273MLA715) (211MLA715)	HG-283MLA-GD
25C495N (25C495)	HGL-WEF-GD		

Please call for price and delivery of part numbers not listed



INDEPENDENT COMPONENTS CORP.

528 Hempstead Turnpike, West Hempstead, NY 11552 • Phone 516-481-5100 FAX 516-481-5550
www.iccparts.com sales@iccparts.com • Toll Free: Phone 877-ICC-ICC3 FAX 800-814-8883

Gardner Denver

G.D. PART NUMBERS	I.C.C. PART NO.	G.D. PART NUMBERS	I.C.C. PART NO.
INDIVIDUAL GASKETS			
1RLA715N	GKT-1RLA-GD	25BC367	ORG-BC367-GD
25AA30	ORG-AA30-GD	25BC378	ORG-BC378-GD
25AA49	ORG-AA49-GD	25BC390	ORG-BC390-GD
25AF4	RG-AF4-GD	25BC402	ORG-BC402-GD
25AF32	RG-AF32-GD	25BC421 (25AA32)	ORG-BC421-GD
25AH27 (00902301-0027)	ORG-AH27-GD	25BC422	ORG-BC422-GD
25AH49	ORG-AH49-GD	25BC423 (25AA50)	ORG-BC423-GD
25AM8	ORG-AM8-GD	25BC424	GKT-BC424-GD
25AM18	ORG-AM18-GD	25BC425 (25AH46)	ORG-BC425-GD
25AM26	ORG-AM26-GD	25BC433	ORG-BC433-GD
25A1N (25A1)	RG-25A1-GD	25BC462	ORG-BC462-GD
25B49 (25BC34)	RG-25B49-GD	25BC479	NG-BC479-GD
25BC4N (25BC4)	RG-BC4-GD	25BC482	RG-BC482-GD
25BC5N (25BC5)	RG-BC5-GD	25BC485	RG-BC485-GD
25BC24	RG-BC24-GD	25BC487	RG-BC487-GD
25BC27	OSH-BC27-GD	25BC490	RG-BC490-GD
25BC32	OSH-BC32-GD	25BC493	AG-BC493-GD
25BC61	RG-BC61-GD	25BC495	RG-BC495-GD
25BC72	RG-BC72-GD	25BC496	RG-BC496-GD
25BC95N (25BC95)	RG-95-GD	25BC498	RG-BC498-GD
25BC96N (25BC96)	FL-BC96N-GD	25BC502	RG-BC502-GD
25BC97N (25BC97)	FL-BC97-GD	25BC503	RG-BC503-GD
25BC100	ORG-BC100-GD	25BC504	RG-BC504-GD
25BC103	RG-BC103-GD	25BC505	RG-BC505-GD
25BC109 (00910659-0261)	ORG-BC109-GD	25BC509	RG-BC509-GD
25BC110	ORG-BC110-GD	25BC510	RG-BC510-GD
25BC118	ORG-BC118-GD	25BC519	RG-BC519-GD
25BC143	RG-BC143-GD	25BC523	GKT-BC523-GD
25BC145	RG-BC145-GD	25BC525	RG-BC525-GD
25BC148	RG-BC148-GD	25BC529	RG-BC529-GD
25BC157	ORG-BC157-GD	25BC532	RG-BC532-GD
25BC159	RG-BC159-GD	25BC542	RG-BC542-GD
25BC164	ORG-BC164-GD	25BC544 (1722047)	RG-BC544-GD
25BC165	ORG-BC165-GD	25BC548	RG-BC548-GD
25BC202	ORG-BC202-GD	25BC558	RG-BC558-GD
25BC205 (25AH34)	ORG-BC205-GD	25BC560	RG-BC560-GD
25BC222	GKT-BC222-GD	25BC594 (25C1682N) 25C1682	FL-1682-GD
25BC231	RG-BC231-GD	25BC615	RG-BC615-GD
25BC232	RG-BC232-GD	25BC616	RG-BC616-GD
25BC242	ORG-BC242-GD	25BC621	RG-BC621-GD
206WLA715 (25BC286) 25C554	RG-206WLA-GD †	25BC772	RG-BC6772-GD
25BC287 (25C484)	FL-484-GD	25C4N (25C4)	FL-4-GD
25BC293 (25C500)	AC-BC293-GD	25C48	FL-48-GD
25BC295 (25C531)	UC-531-GD	25C63N	FL-63N-GD
25BC298	ORG-BC298-GD	25C121N (25C121)	FL-121-GD
25BC322	RG-BC322-GD	25C144N (25C144)	RG-144-GD
25BC345 (25C97)	CG-BC345-GD	25C155N (25C155)	FL-155-GD
25BC347	ORG-BC347-GD	25C157N (25C157)	FL-157-GD
25BC350 (25AH35)	ORG-BC350-GD	25C159	OF-159-GD
25BC351	GKT-BC351-GD	25C1519	FL-1519-GD
25BC357	GKT-BC357-GD	25C178	REC-178-GD
25BC360	ORG-BC360-GD	25C179	SP-179-GD
25BC364 (903729-0025)	RG-BC364-GD	25C313N (25C313)	GKT-C313-GD
25BC366	ORG-BC366-GD	25C336N (25C336)	FL-1-GD



INDEPENDENT COMPONENTS CORP.

528 Hempstead Turnpike, West Hempstead, NY 11552 • Phone 516-481-5100 FAX 516-481-5550
www.iccparts.com sales@iccparts.com • Toll Free: Phone 877-ICC-ICC3 FAX 800-814-8883

Gardner Denver

G.D. PART NUMBERS	I.C.C. PART NO.	G.D. PART NUMBERS	I.C.C. PART NO.
INDIVIDUAL GASKETS (continued)			
25C365.....	CB-365-GD	25C1326	GKT-1326-GD
25C342N (25C342).....	GKT-342-GD	25C1328	CB-1328-GD
25C367.....	IP-367-GD	25C1330N (25C1330).....	MG-1330-GD
25C401.....	CB-401-GD	25C1374N (25C1374).....	IC-1374-GD
25C411.....	EP-411-GD	25C1514	FL-1514-GD
25C427.....	CB-427-GD	25C1516	FEC-1516-GD
25C483.....	SP-483-GD	25C1567	CB-1567-GD
25C486.....	OF-4-GD	25C1568N (25C1568).....	WC-1568-GD
25C487.....	OF-3-GD	25C1662N (25C1662).....	PEP-1662-GD
25C489.....	BCP-489-GD	25C1666	EP-1666-GD
25C492.....	CB-492-GD	25C1667	GKT-1667-GD
25C497N (25C497).....	GKT-497-GD	25C1670	FL-1670-GD
25C498N.....	GKT-C498-GD	25C1671	CB-1671-GD
25C499N (25C499).....	GKT-499-GD	25C1673	CPG-1673-GD
25C507.....	EC-507-GD	25C1709N (25C1709).....	RG-1709-GD
25C509N (25C509).....	WC-509-GD	25C1760	GKT-1760-GD
25C524.....	DEP-524-GD	25C1788	GKT-1788-GD
25C526.....	CB-526-GD	25C1801	FL-1801-GD
25C532.....	FL-532-GD	25C1813	FL-1813-GD
25C541.....	FL-541-GD	25C1817	PB-1817-GD
25C543 (25C1889).....	FL-543-GD	25C1839 (25C564).....	SP-564-GD
25C544.....	SP-544-GD	25C1868N (25C1868).....	RG-1868-GD
25C546.....	FL-546-GD	25C1882	SP-1882-GD
25C547.....	DEP-547-GD	25C1948	OSG-1948-GD
25C549N (25C549).....	WC-549-GD	25C1997N (25C1997).....	EP-1997-GD
25C550.....	CB-550-GD	25C2007N.....	GKT-2007-GD
25C554.....	FL-554-GD	25C2015N (25C2015).....	FL-2015-GD
25C557.....	CBH-557-GD	25C2024	SP-2024-GD
25C563.....	SP-563-GD	25C2025	SP-2025-GD
25C571N (25C571).....	FL-571-GD	25C2041	CB-2041-GD
25C577N (25C577).....	GKT-577-GD	25C2051	CBL-2051-GD
25C578N (25C578).....	IC-578-GD	25C2068	EP-2068-GD
25C587.....	GKT-587-GD	25C2070	CG-2070-GD
25C606.....	OF-2-GD	25C2094	GKT-2094-GD
25C608.....	OF-5-GD	25C2225	GKT-2225-GD
25C619.....	CB-619-GD	25C2271N (25C2271).....	EP-2271N-GD
25C622N (25C662).....	FL-622-GD	25C2297N.....	GKT-2297-GD
25C626.....	FL-626-GD	25C2306	CB-2306-GD
25C627.....	SP-627-GD	25C2319N (25C1319).....	GKT-2319-GD
25C628 (25BC593) 25C628N.....	FL-628-GD	25C2397	FL-2397-GD
25C646N (25C646).....	FL-646-GD	25C2525	FL-2525-GD
25C692N (25C692) 25BC798N (25BC592)...	FL-692-GD	25C2527N (25C2527) 25C587	GKT-2527-GD
25C701.....	FL-701-GD	25C2541	GKT-2541-GD
25C730.....	GK-730-GD	25C2583N (25C2583).....	GKT-2583-GD
25C795.....	GKT-795-GD	25C2632N (25C2632).....	FL-2632-GD
25C802 (25C432).....	FL-802-GD	25C2633N (25C2633).....	RG-2633-GD
25C807.....	RG-807-GD	25C2634	RG-2634-GD
25C818N.....	GKT-818N-GD	25C2664	GKT-2664-GD
25C963.....	GKT-963-GD	25C2684	GKT-2684-GD
25C995.....	DEP-995-GD	25C2718N.....	GKT-C2718-GD
25C1176N (2C1176).....	OF-1176-GD	25D107 (25C121N).....	GKT-D107-GD
25C1208.....	OF-1-GD	25F23.....	CS-F23-GD
25C1230N 25C800 (25C485).....	FL-800-GD		
25C1325.....	IP-1325-GD		

† Gasket made of Flexible Graphite material



INDEPENDENT COMPONENTS CORP.

528 Hempstead Turnpike, West Hempstead, NY 11552 • Phone 516-481-5100 FAX 516-481-5550
www.iccparts.com sales@iccparts.com • Toll Free: Phone 877-ICC-ICC3 FAX 800-814-8883

Gardner Denver

G.D. PART NUMBERS	I.C.C. PART NO.	G.D. PART NUMBERS	I.C.C. PART NO.
INDIVIDUAL GASKETS (continued)			
25F28	OFG-F28-GD	203ASD715	GKT-203ASD-GD
25F30	RG-F30-GD	203MLA715	GKT-203MLA-GD
25F44	RG-F44-GD	203ASK715	CG-ASK-GD †
25F9	CS-F9-GD	204SSE715	GKT-204SSE-GD
25F12	CS-F12-GD	204ATS715	IP-ASL-GD
25F13	CS-F13-GD	205MDY715N	GKT-205MDY-GD
25F15	CS-F15-GD	205WLN715	GKT-205WLN-GD
25F16	CS-F16-GD	206MLE715N	IP-206MLE-GD
25F38	CS-F38-GD	207MLA715N	FL-207MLA-GD
25F39	CS-F39-GD	207WLN715 (25C1357)	FL-1357-GD
25R30N (25R30)	CN-R30-GD	208JGY715	GKT-208JGY-GD
25R51N (25R51)	RG-R51-GD	2109391	ORG-9391-GD
25W11	ORG-25W11-GD	2109439	ORG-9439-GD
25W13 (00910660-0115)	ORG-W13-GD	2109440	ORG-9440-GD
25W24	ORG-W24-GD	210MLE715N (201MLE715)	GKT-210MLE-GD
25W25 (00910660-0220)	ORG-25W25-GD	210WLA715	FL-210WLA-GD
25W33 (00902277-0033)	ORG-W33-GD	211WLN715 (25C1633)	PEP-1633-GD
25W42 (00904341-0042)	ORG-W42-GD	212MCY715N	GKT-212MCY-GD
54C211 (25AH7)	ORG-C211-GD	214MCY715	GKT-214MCY-GD
54C214	ORG-C214-GD	216MLA715	GKT-216MLA-GD
54C225	ORG-C225-GD	217MLC715	GKT-217MLC-GD
8500958	ORG-0958-GD	218MLA715	GKT-218MLA-GD
97J2 (97A26)	WIRE-J2-GD	218MLC715	GKT-218MLC-GD
97A14	CL-A14-GD	219MLE715	BHG-219MLE-GD
2006550N	GKT-6550-GD	220MLE715N (220MLE715)	GKT-220MLE-GD
2008009	ORG-8009-GD	221MCY715	GKT-221MCY-GD
2008013	ORG-8013-GD	221MLE715N (221MLE715)	GKT-221MLE-GD
2008150	GKT-8150-GD	221WLN715 (25BC296) 25C542	FL-542-GD
2009225	ORG-225-GD	221WLN715 (25BC296) 25C542	FL-221WLN-GD †
2009697 (00910659-0232)	ORG-697-GD	223MLA715N (223715MLA)	GKT-223MLA-GD
2009698N (2009698)	RG-9698-GD	223MLE715	GKT-223MLE-GD
2009223	ORG-9223-GD	224MLA715N	GKT-224MLA-GD
2009743	RG-9743-GD	226MCY715 (212MCY715) 212MCY715N	GKT-226MCY-GD
2009744	RG-9744-GD	227WLN715 (25BC294) 25C541	FL-227WLN-GD †
200ASL600	SPAC-ASL-GD	228MLA715	FL-228MLA-GD
200ASL715	IC-ASL-GD	228WLN715 (25C155) 25BC291	FL-228WLN-GD †
200AVL715 (25C1881)	CB-1881-GD	230JGY715	GKT-230JGY-GD
200VDB715N (200VDB715)	RG-200VDB-GD	230SSE715N	GKT-230SSE-GD
200VDH715	GKT-200VDH-GD	230WLN715 (25C491)	WC-491-GD
200VDL715 (201VDL715)	FL-200VDL-GD	232MLA715N (232MLA715)	GKT-232MLA-GD
200VEP715	GKT-200VEP-GD	232WLN715	GKT-232WLN-GD
200WXO715	GKT-200WXO-GD	235MLA715N (235MLA715)	GKT-235MLA-GD
2013507N	GKT-3507N-GD	237MLE715	GKT-237MLE-GD
201LBF715	GKT-201LBF-GD	248MLE715 (213MLE715)	GKT-248MLE-GD
201MLA715	FL-201MLA-GD	263MLA715 (239MLE715)	GKT-263MLA-GD
201VDE715 (200VDE715)	RG-201VDE-GD	265MLA715 (212MLA715)	BHG-265MLA-GD
201VDG715 (200VDG715)	RG-201VDG-GD	266MLA715 (214MLA715)	CGG-266MLA-GD
201VDH715	GKT-201VDH-GD †	267MLA715 (215MLA715)	FG-267MLA-GD
201VDN715 (200VDN715)	FL-VDN715-GD	268MLA715	GKT-268MLA-GD
201WBO715	FL-201WBO-GD	269MLA715	GKT-269MLA-GD
202ASD715	GKT-202ASD-GD	272MLA715	GKT-272MLA-GD
202MLA715	GKT-202MLA-GD	363MLA715	GKT-363MLA-GD
202SSE715	GKT-202SSE-GD		
202VDH715	GKT-202VDH-GD †		

† Gasket made of Flexible Graphite material

‡ Gasket made of Flexible Graphite material with insert



INDEPENDENT COMPONENTS CORP.

528 Hempstead Turnpike, West Hempstead, NY 11552 • Phone 516-481-5100 FAX 516-481-5550
www.iccparts.com sales@iccparts.com • Toll Free: Phone 877-ICC-ICC3 FAX 800-814-8883

Gardner Denver

G.D. PART NUMBERS	I.C.C. PART NO.	G.D. PART NUMBERS	I.C.C. PART NO.
OTHER GARDNER DENVER SCREW PARTS			
13AG5002	BSET-5002-GD	2109776	FMG-9776-GD
13AG5603	BSET-5603-GD	2109777	FMG-9777-GD
13AG5604	BSET-5604-GD	2109936	FMG-9936-GD
13AG5605	BSET-5605-GD	2109949	FMG-9949-GD
13AG6004	BSET-6004-GD	2109950	FMG-9950-GD
13AG6304	BSET-6304-GD	2109951	FMG-9951-GD
13AG6305	BSET-6305-GD	2117156	FMG-7156-GD
13AG6704	BSET-6704-GD	2117157	FMG-7157-GD
13AG6705	BSET-6705-GD	2117158	FMG-7158-GD
13AG7104	BSET-7104-GD	2117159	FMG-7159-GD
13AH6304	BSET-H6304-GD	2117160	FMG-7160-GD
13AH6704	BSET-H6704-GD	2117161	FMG-7161-GD
13AH7104	BSET-H7104-GD	2117162	FMG-7162-GD
13AH7504	BSET-H7504-GD	2117163	FMG-7163-GD
1663742-0204	CG-42204-GD	2117164	FMG-7164-GD
200SSU715N	BHG-200SSU-GD	300SSU067	DISC-U067-GD
200SSY067	DISC-SSY067-GD	32E15	BALL-32E15-GD
200SSY715	BHG-200SSY-GD	64EB26	FMJT-B26-GD
2010363	FMG-0363-GD	64EB27	FMJT-B27-GD
2010493	FMG-0493-GD	64EB41	FMJT-B41-GD
2010680	FMG-0680-GD	64EB57	FMJT-B57-GD
2010681	FMG-0681-GD	64EB799	FMJT-B799-GD
2010696	FMG-0696-GD	64EB800	FMJT-B800-GD
2010900	FMG-0900-GD	64EB801	FMJT-B801-GD
2010941	FMG-0941-GD	64EB802	FMJT-B802-GD
201SSU715	BHC-201SSU-GD	64EB803	FMJT-B803-GD
201SSY715N	FHG-201SSY-GD	64EB804	FMJT-B804-GD
202SSU715	BCG-202SSU-GD	64EB805	FMJT-B805-GD
204SSU715	BCG-204SSU-GD	64EB806	FMJT-B806-GD
205SSU715N	BHG-205SSU-GD	64EB807	FMJT-B807-GD
208SSY715N	DHG-208SSY-GD	64EB92	FMJT-B92-GD
2109082	FMG-9082-GD	90AR234	BDVAL-AR234-GD
2109083	FMG-9083-GD	90AR261	CKV-AR261-GD
2109549	FMG-9549-GD	90AR324	BDVAL-AR324-GD
2109775	FMG-9775-GD	90AR923	CKV-AR923-GD
		EAU296AGK	GK-EAU-GD

AIR-OIL SEPARATORS

See complete listing in FILTERS AIR-OIL SEPARATORS section.

AIR FILTERS OIL FILTERS and AIR FILTER ASSEMBLIES

See complete listing in FILTERS AIR-OIL SEPARATORS section.

INLINE FILTERS

See complete listing in FILTERS AIR-OIL SEPARATORS section.

See GD-JOY-Index for a complete list of parts by OEM part number

Please call for price and delivery of part numbers not listed

We sell only to resale accounts – We do not sell to the end user



INDEPENDENT COMPONENTS CORP.

528 Hempstead Turnpike, West Hempstead, NY 11552 • Phone 516-481-5100 FAX 516-481-5550
www.iccparts.com sales@iccparts.com • Toll Free: Phone 877-ICC-ICC3 FAX 800-814-8883

Gardner Denver

This page intentionally left blank



INDEPENDENT COMPONENTS CORP.

528 Hempstead Turnpike, West Hempstead, NY 11552 • Phone 516-481-5100 FAX 516-481-5550
www.iccparts.com sales@iccparts.com • Toll Free: Phone 877-ICC-ICC3 FAX 800-814-8883

JOY

JOY PART NO.	I.C.C. PART NO.	JOY PART NO.	I.C.C. PART NO.	JOY PART NO.	I.C.C. PART NO.
VALVE ASSEMBLIES					
00514006-0009	VAL-9S-JO	00514006-0240	VAL-240S-JO	00514006-0420	VAL-420D-JO
00514006-0010	VAL-10D-JO	00514006-0241	VAL-241D-JO	00514006-0458	VAL-458S-JO
00514006-0011	VAL-11S-JO	00514006-0257	VAL-257S-JO	00514006-0459	VAL-459D-JO
00514006-0012	VAL-12D-JO	00514006-0258	VAL-258D-JO	00514006-0460 & 00514006-0317 ...	VAL-460S-JO
00514006-0013	VAL-13ST-JO	00514006-0261	VAL-261S-JO		
00514006-0014	VAL-14DT-JO	00514006-0262	VAL-262D-JO	00514006-0461	VAL-461D-JO
00514006-0015	VAL-15ST-JO	00514006-0311 (00514006-0462)..	VAL-311S-JO	00514006-0462	VAL-462S-JO
00514006-0016	VAL-16DT-JO	00514006-0312 (00514006-0463)..	VAL-312D-JO	00514006-0463	VAL-463D-JO
00514006-0017	VAL-17ST-JO			00514006-0466 (00514006-0319) .	VAL-466S-JO
00514006-0018	VAL-18DT-JO				
00514006-0044	VAL-44-JO	00514006-0318	VAL-318D-JO	00514006-0467 (00514006-0320) .	VAL-467D-JO
00514006-0066	VAL-66-JO	00514006-0319	VAL-319S-JO	00514006-0468	VAL-468S-JO
00514006-0145	VAL-145S-JO	00514006-0320	VAL-320D-JO	00514006-0469	VAL-469D-JO
00514006-0146	VAL-146D-JO	00514006-0354	VAL-354D-JO	00514006-0471	VAL-471S-JO
00514006-0148	VAL-148D-JO	00514006-0355	VAL-355S-JO		
00514006-0179	VAL-179D-JO	00514006-0360	VAL-360ST-JO	00514006-0472	VAL-472D-JO
00514006-0180	VAL-180S-JO	00514006-0361	VAL-361DT-JO	00514006-0473	VAL-473ST-JO
00514006-0185	VAL-185S-JO	00514006-0370	VAL-370S-JO	00514006-0474	VAL-474DT-JO
00514006-0213 (00514006-0197)	VAL-213S-JO	00514006-0371	VAL-371D-JO	00514006-0580	VAL-580S-JO
		00514006-0382	VAL-382D-JO	00514006-0581	VAL-581D-JO
00514006-0214 (00514006-0198)	VAL-214D-JO	00514006-0383	VAL-383S-JO	300VJG2031	VAL-300D-JO
00514006-0233	VAL-233S-JO	00514006-0384	VAL-384D-JO	300VJG2030	VAL-300S-JO
00514006-0235	VAL-235D-JO	00514006-0385	VAL-385S-JO		
		00514006-0419	VAL-419S-JO		

Other valves may be available for JOY compressors

VALVE SEATS & VALVE BODIES

00028222W1	VS-9S-JO	00243270	VS-146D-JO	01609316	VS-370S-JO
00029642W1	VS-10D-JO	01609543 (00243280)	VS-148D-JO	01609318	VS-371D-JO
00238312	VS-11S-JO	00242932	VS-179D-JO	01609889	VB-382D-JO
00213918	VS-12D-JO	00242929	VS-180S-JO	01609890	VB-383S-JO
00210215	VS-13ST-JO	01609546 (00243279)	VS-185S-JO	VS-466S-JO
00210216	VS-14DT-JO	00242769	VS-213S-JO	VS-467D-JO
00210217	VS-15ST-JO	00242584 (00242764)	VS-214D-JO	01760407-0008	VS-471S-JO
00210218	VS-16DT-JO	01248652	VS-261S-JO	01760407-0009	VS-472D-JO
00242012	VS-17ST-JO	01248655	VS-262D-JO	01760407-0031	VS-473ST-JO
00242011	VS-18DT-JO	01602274	VS-354D-JO	01760407-0032	VS-474DT-JO
00213559	VS-59D-JO	01602273	VS-355S-JO	01760407-0086 (01247739)	VS-580S-JO
00213560	VS-60S-JO	01602613	VS-2613S-JO	01760407-0087 (01247740)	VS-581D-JO
00214363	VS-44-JO	01602614	VS-2614D-JO	300VJG202	VS-300S-JO
00214392	VS-66-JO	01609229	VB-360ST-JO	300VJG203	VS-300D-JO
00243269	VS-145S-JO	01609230	VB-361DT-JO		

VALVE BOLTS

00214361 (00206823)	STD-66-JO	01247313	VB-580D-JO	01609820	VB-9820-JO
00241814	VB-1814-JO	01243287	VB-3287-JO	00900248-0501	CAP-SCR-1-JO
00242768	VB-2768-JO	01247646	VB-7646-JO	00900248-0502	CAP-SCR-2-JO
00242933	VB-2933-JO	01247801	VB-7801-JO	00900244-0002	CAP-SCR-3-JO

We sell only to resale accounts – We do not sell to the end user

Please call for price and delivery of part numbers not listed

Independent Components Corp. Is an independent supplier of compressor replacement parts and is not affiliated with manufacturers mentioned in this catalog. The original manufacturers product description and/or part number is given for reference only



INDEPENDENT COMPONENTS CORP.

528 Hempstead Turnpike, West Hempstead, NY 11552 • Phone 516-481-5100 FAX 516-481-5550
www.iccparts.com sales@iccparts.com • Toll Free: Phone 877-ICC-ICC3 FAX 800-814-8883

JOY

JOY PART NO.	I.C.C. PART NO.	JOY PART NO.	I.C.C. PART NO.	JOY PART NO.	I.C.C. PART NO.
VALVE GUARDS					
00025590W3	VG-9S-JO	00243267	VG-145S-JO	01760408-0149 (00242869)	VG-355S-JO
00028223W3	VG-10D-JO	00243268	VG-146D-JO	01608959	VG-360ST-JO
00040311W2	VG-11S-JO	00244400	VG-148D-JO	01608960	VG-361DT-JO
00044759W	VG-12D-JO	01760408-0151	VG-151S-JO	01609317	VG-370S-JO
01760408-0032 (0040849W2)	VG-13ST-JO	01760408-0152	VG-152D-JO	01608319	VG-371D-JO
01760408-0033 (0049851W2)	VG-14DT-JO	00242931	VG-179D-JO	01609891	VG-382D-JO
00041730W1	VG-15ST-JO	00242930	VG-180S-JO	01609892	VG-383S-JO
00041729W1	VG-16DT-JO	00244399	VG-185S-JO	VG-466S-JO
00043412W2	VG-17ST-JO	01247120	VG-213S-JO	VG-467D-JO
00043413W2	VG-18DT-JO	01247121	VG-214D-JO	01760408-0222 (01247090)	VG-580S-JO
00213561	VG-59D-JO	01248651	VG-261S-JO	01760408-0223 (01247091)	VG-581D-JO
00214364	VG-44-JO	01248654	VG-262D-JO	300VJG128	VG-300D-JO
00217270	VG-66-JO	01760408-0150 (00242871)	VG-354D-JO	300VJG164	VG-300S-JO

SEAT PLATE

01609271..... **STPL-271-JO**

VALVE RINGS

00042583W	DISC-2583-JO	01243471	DISC-3471-JO	01245606	DISC-5606-JO
00043795W	DISC-1-JO	01245583	DISC-5583-JO	01245607	DISC-5607-JO
00043788W	DISC-2-JO	01245584	DISC-5584-JO	01245608	DISC-5608-JO
00043796W	DISC-3-JO	01245585	DISC-5585-JO	01246733	DISC-6733-JO
00043516W	DISC-4-JO	01245586	DISC-5586-JO	01247915	DISC-7915-JO
00043797W	DISC-5-JO	00236243-000A	DISC-243-JO	01247916	DISC-7916-JO
00213536	DISC-3536-JO	00236244-000A	DISC-244-JO	01247917	DISC-7917-JO
00213537	DISC-3537-JO	00236245-000A	DISC-245-JO	01609280	DISC-9280-JO
00213538	DISC-3538-JO	00245437	DISC-5437-JO	01609281	DISC-9281-JO
00213539	DISC-3539-JO	01245603	DISC-5603-JO	01609282	DISC-9282-JO
00213540	DISC-3540-JO	01245605	DISC-5605-JO		

VALVE SPRINGS

00200438 (200437) 01604843-0039	SPG-1-JO	00201189	SPG-1189-JO	01601328	SPG-1328-JO
.....	SPG-1-JO	00214365 (00022113W)	SPG-4365-JO	01601329	SPG-1329-JO
00043790W (43789W) 01604843-0040	SPG-2-JO	00244158 (00213532)	SPG-4158-JO	01603836	SPG-3836-JO
.....	SPG-2-JO	00244159 (00213533)	SPG-4159-JO	01607987	SPG-7987-JO
00040856W (01604843-0041)	SPG-3-JO	00244160 (00213534)	SPG-4160-JO	01608303	SPG-8603N-JO
00041565W	SPG-4-JO	00244161	SPG-4161-JO	01608646	SPG-8646-JO
00040316W (01604843-0042)	SPG-5-JO	01247440 (01245912)	SPG-7440-JO	01608912	SPG-8912-JO
78W57 (01608603) 01600779	SPG-8603-JO	01602917	SPG-2917-JO	01609335	SPG-9335-JO
78W58 (01600778)....	SPG-0778-JO	01249401	SPG-9401-JO		

SPRING-BUTTONS

00242508	BU-2508-JO
01609321	BU-9321-JO
01246804	BU-6804-JO
01246805	BU-6805-JO
01246179	BU-6179-JO

REACTION PLATES – STAINLES

00205180	RP-1-JO
00205182	RP-2-JO
00205179	RP-3-JO
00205181	RP-4-JO
00205183	RP-5-JO
00213541	SPG-3541-JO
00213542	SPG-3542-JO
00213543	SPG-3543-JO

REACTION PLATES – TEFLON for NON-LUBE UNITS

01605076-0001	RPTF-1-JO
01605077-0001	RPTF-2-JO
01605076-0002	RPTF-3-JO
01605077-0002	RPTF-4-JO
01605076-0003	RPTF-5-JO

Please call for price and delivery of part numbers not listed

Independent Components Corp. Is an independent supplier of compressor replacement parts and is not affiliated with manufacturers mentioned in this catalog. The original manufacturers product description and/or part number is given for reference only.



INDEPENDENT COMPONENTS CORP.

528 Hempstead Turnpike, West Hempstead, NY 11552 • Phone 516-481-5100 FAX 516-481-5550
www.iccparts.com sales@iccparts.com • Toll Free: Phone 877-ICC-ICC3 FAX 800-814-8883

JOY

JOY PART NO.	I.C.C. PART NO.	JOY PART NO.	I.C.C. PART NO.	JOY PART NO.	I.C.C. PART NO.
UNLOADER DIAPHRAGMS					
01246014	DPH-6014-JO	200JGY215 (01601310) ...	DPH-1310-JO	02116130	DPH-6130-JO
01249294	DPH-1-JO	00042582W (01248108) ..	DPH-2582-JO	0025172W1	DPH-5172-JO
01601290	DPH-2-JO	00034424W (00027133W1)	DPH-4424-JO		

VALVE REPAIR KITS without Valve Gaskets

Contains valve discs, valve springs, and reaction plates. to repair of one valve.

00704725-0001	VRK-1-JO	00704725-0019	VRK-19-JO	00704725-0049	VRK-49-JO
00704725-0002	VRK-2-JO	00704725-0020	VRK-20-JO	00704725-0050	VRK-50-JO
00704725-0003	VRK-3-JO	00704725-0021	VRK-21-JO	00704725-0051	VRK-51-JO
00704725-0004	VRK-4-JO	00704725-0022	VRK-22-JO	00704725-0052	VRK-52-JO
00704725-0005	VRK-5-JO	00704725-0023	VRK-23-JO	00704725-0053	VRK-53-JO
00704725-0006	VRK-6-JO	00704725-0024	VRK-24-JO	00704725-0054	VRK-54-JO
00704725-0007	VRK-7-JO	00704725-0025	VRK-25-JO	00704725-0055	VRK-55-JO
00704725-0008	VRK-8-JO	00704725-0038	VRK-38-JO	00704725-0056	VRK-56-JO
00704725-0009	VRK-9-JO	00704725-0040	VRK-40-JO	00704725-0062	VRK-62-JO
00704725-0010	VRK-10-JO	00704725-0041	VRK-41-JO	00704725-0094	VRK-94-JO
00704725-0011	VRK-11-JO	00704725-0044	VRK-44-JO	00704725-0095	VRK-95-JO
00704725-0012	VRK-12-JO	00704725-0045	VRK-45-JO	00704725-0096	VRK-96-JO
00704725-0013	VRK-13-JO	00704725-0046	VRK-46-JO	00704725-0097	VRK-97-JO
00704725-0014	VRK-14-JO	00704725-0047	VRK-47-JO		
00704725-0018	VRK-18-JO	00704725-0048	VRK-48-JO		

Other valve repair kits may be available for other JOY compressors. Please call for details.

PACKING

00018129W	PAK-8129-JO	01607380 (All-Carbon)	PKR-7380 JO	H0700563-0273	PAK-H0273-JO
00034614W(OA215305)	PAK-4614-JO	0A200770	PAK-0770-JO	LEATHER CUP	
00527533	PAK-7533-JO	0A213654	PAK-3564-JO	0016085W1	LCUP-6085-JO
00527627-0001	PAK-6271-JO	0A242168	PAK-2168-JO		
00A240947	PAK-0947-JO	H0700563-0272	PAK-H0272-JO		

PISTON RINGS

00026133W	PR-6133-JO	01608788-0001	PR-78801-JO	01608788-0020	PR-78820-JO
00026134W	PR-6134-JO	01608788-0002	PR-78802-JO	01608788-0021	PR-78821-JO
00027186W	PR-7186-JO	01608788-0003	PR-78803-JO	01608788-0022	PR-78822-JO
00027607W	PR-7607-JO	01608788-0004	PR-78804-JO	01608788-0023	PR-78823-JO
00027809W	PR-7809-JO	01608788-0005	PR-78805-JO	01608788-0024	PR-78824-JO
00027913W	PR-7913-JO	01608788-0006	PR-78806-JO	01608788-0025	PR-78825-JO
00202221	PR-2221-JO	01608788-0007	PR-78807-JO	01608788-0026	PR-78826-JO
00202305	PR-2305-JO	01608788-0008	PR-78808-JO	01608788-0027	PR-78827-JO
00237212	PR-7212-JO	01608788-0009	PR-78809-JO	01608788-0028	PR-78828-JO
00241307	PR-1307-JO	01608788-0010	PR-78810-JO	01608788-0029	PR-78829-JO
00241309	PR-1309-JO	01608788-0011	PR-78811-JO	01608788-0030	PR-78830-JO
00241311	PR-1311-JO	01608788-0012	PR-78812-JO	01608798-0001	PR-79801-JO
00241313	PR-1313-JO	01608788-0013	PR-78813-JO	01608816-0001	PR-81601-JO
00241322	PR-1322-JO	01608788-0014	PR-78814-JO	01722502-0001	PR-0201-JO
00241398 (00235476)		01608788-0015	PR-78815-JO	01722502-0006	PR-0206-JO
01603014	PR-1398-JO	01608788-0016	PR-78816-JO	327JGY163	PR-327JGY-JO
00701600-329	PRKIT-0329-JO	01608788-0017	PR-78817-JO	261722502-0005	PR-0205-JO
00701600-339	PRKIT-0339-JO	01608788-0018	PR-78818-JO		
01600907	PR-0907-JO	01608788-0019	PR-78819-JO		

See GD-JOY-Index for a complete list of parts by OEM part number

Please call for price and delivery of part numbers not listed



INDEPENDENT COMPONENTS CORP.

528 Hempstead Turnpike, West Hempstead, NY 11552 • Phone 516-481-5100 FAX 516-481-5550
www.iccparts.com sales@iccparts.com • Toll Free: Phone 877-ICC-ICC3 FAX 800-814-8883

JOY

JOY PART NO.	I.C.C. PART NO.	JOY PART NO.	I.C.C. PART NO.
VALVE GASKETS - COPPER JACKETED			
00903729-0002	NG-2J-JO	00903729-0122 (00903943-0041) 25BC493	RG-122J-JO
00903729-0006	RG-6J-JO	00903729-0125	RG-125J-JO
00903729-0008 (00903943-0038) 25BC490	RG-8J-JO	00903729-0126 (00903943-0040) 25BC492	RG-126J-JO
00903729-0016	RG-16J-JO	00903729-0128 (00903943-0068) 25BC510	VSG-128-JO
00903729-0021	RG-21J-JO	00903729-0130	RG-130J-JO
00903729-0022 (00903943-0008) 25BC477	RG-22J-JO	00903729-0131	RG-131J-JO
00903729-0023 (00903943-0076) 25BC513	RG-23J-JO	00903729-0134	VSG-134-JO
00903729-0024 (00903943-0055) 25BC500	RJ-24J-JO	00903729-0138 (00903943-0061) 25BC505	VCG-138-JO
00903729-0026 (00903943-0058) 25BC514	RG-26J-JO	00903729-0150	RG-150J-JO
00903729-0028	RG-28J-JO	00903729-0152	RG-152J-JO
00903729-0029	RG-29J-JO	00903729-0153 (00903943-0051) 25BC497	RG-153J-JO
00903729-0030	RG-30J-JO	00903729-0158	RG-158J-JO
00903729-0032 (00903943-0023) 25BC482	RG-30J-JO	00903729-0169 (00903943-0050) 25BC496	RG-169J-JO
00903729-0038	RG-38J-JO	00903729-0177 (00903943-0124) 25BC517	VSG-177-JO
00903729-0039 (00903943-0039) 25BC491	NG-39J-JO	00903729-0178	RG-178J-JO
00903729-0044	RG-44J-JO	00903729-0180	RG-180J-JO
00903729-0046	RG-46J-JO	00903729-0181 (00903943-0030) 25BC487	RG-181J-JO
00903729-0049 (00903943-0087) 25BC515	RG-49J-JO	00903729-0184	RG-184J-JO
00903729-0050	RG-50J-JO	00903729-0185 (00903943-0067) 25BC509	RG-185J-JO
00903729-0052 (00903943-0003) 25BC475	RG-52J-JO	00903729-0191	RG-191J-JO
00903729-0060 (00903943-0016) 25BC479	RG-60J-JO	00903729-0192	RG-192J-JO
00903729-0083	RG-9083-JO	00903729-0194 (00903943-0054) 25BC499	RG-194J-JO
00903729-0086	RG-86J-JO	00903729-0198 (00903943-0046) 25BC495	VSG-198-JO
00903729-0087	RG-87J-JO	00903729-0205	RG-205J-JO
00903729-0088 (00903943-0056) 25BC501	RG-88J-JO	00903729-0206	RG-206J-JO
00903729-0091 (00903943-0057) 25BC502	RG-91J-JO	00903729-0207	RG-207J-JO
00903729-0101	RG-101J-JO	00903729-0212	RG-212J-JO
00903729-0102 (00903943-0059) 25BC503	RG-102J-JO	00903729-0222	VSG-222J-JO
00903729-0110 (00903943-0069) 25BC511	RG-110J-JO	00903729-0223 (00903943-0027) 25BC485	VSG-223J-JO
00903729-0121 (00903943-0037) 25BC489	RG-121J-JO	00903729-0226 (00903943-0065) 25BC507	RG-226J-JO

VALVE GASKETS - ALUMINUM JACKETED

00903730-0002	RG-2AJ-JO	00903730-0138	RG-138AJ-JO	00903730-0184	RG-184AJ-JO
00903730-0023	RG-23AJ-JO	00903730-0169	RG-169AJ-JO	00903730-0185	RG-185AJ-JO
00903730-0126 (25BC539)		00903729-0177	RG-177AJ-JO	00903730-0198	RG-198AJ-JO
00903944-0040	RG-126AJ-JO	00903730-0178	RG-178AJ-JO	00903730-0212	RG-212AJ-JO
00903730-0128	RG-128AJ-JO	00903730-0180	RG-180AJ-JO	00903730-0213	RG-213AJ-JO
00903730-0130	RG-130AJ-JO	00903730-0181 (25BC533)			
		00903944-0030	RG-181AJ-JO		

VALVE GASKETS - ALUMINUM FLAT

00903944-0003	RG-3A-JO	00903944-0041	RG-41A-JO	00903944-0057	RG-57A-JO
00903944-0005	RG-5A-JO	00903944-0043	RG-43A-JO	00903944-0060	RG-60A-JO
00903944-0006	RG-6A-JO	00903944-0044	RG-44A-JO	00903944-0061	RG-61A-JO
00903944-0008	RG-8A-JO	00903944-0045	RG-45A-JO	00903944-0065	RG-65A-JO
00903944-0009	RG-9A-JO	00903944-0046	RG-46A-JO	00903944-0067	RG-67A-JO
00903944-0016	RG-16A-JO	00903944-0047	RG-47A-JO	00903944-0068	RG-68A-JO
00903944-0018	RG-18A-JO	00903944-0049	RG-49A-JO	00903944-0085	RG-85A-JO
00903944-0022	RG-22A-JO	00903944-0050	RG-50A-JO	00903944-0093	RG-93A-JO
00903944-0023	RG-23A-JO	00903944-0051	RG-51A-JO	00903944-0097 (00200324)	
00903944-0026	RG-26A-JO	00903944-0052	RG-52A-JO		RG-97A-JO
00903944-0027	RG-27A-JO	00903944-0054	RG-54A-JO	00903944-0124	RG-124A-JO
00903944-0036	RG-36A-JO	00903944-0055	RG-55A-JO		
00903944-0038	RG-38A-JO	00903944-0056	RG-56A-JO		



INDEPENDENT COMPONENTS CORP.

528 Hempstead Turnpike, West Hempstead, NY 11552 • Phone 516-481-5100 FAX 516-481-5550
www.iccparts.com sales@iccparts.com • Toll Free: Phone 877-ICC-ICC3 FAX 800-814-8883

JOY

JOY PART NO.	I.C.C. PART NO.	JOY PART NO.	I.C.C. PART NO.	JOY PART NO.	I.C.C. PART NO.
VALVE GASKETS - COPPER FLAT – most changed to Copper Jacketed above					
00903943-0003	RG-3C-JO	00903943-0018	RG-18C-JO	00903943-0064	RG-64C-JO
00903943-0005	RG-5C-JO	00903943-0035	RG-35C-JO	00903943-0066	RG-66C-JO
00903943-0006	RG-6C-JO	00903943-0039	RG-39C-JO	00903943-0099	RG-99C-JO
00903943-0009	RG-9C-JO	00903943-0040	RG-40C-JO	00903943-0120	RG-120C-JO
00903943-0016	NG-16-JO	00903943-0052	RG-52C-JO	00903943-0124	RG-124C-JO

OTHER GASKETS Gaskets are made of various materials. Head gaskets are made of Green non asbestos material, Compressed Graphite material or flexible graphite (graphoil®). Please specify when quoting or ordering.

00009218W (25C131N)	GKT-9218-JO	09074085-0012	GKT-0812-JO
00025769W	FL-5769-JO	0A237023 (00527826-0001)	GKT-7023-JO
00025907W	IC-5907-JO	200JGY715 (01760306-0241)	HG-200JGY-JO
00026007W	MBG-6007-JO	200JSA715	RG-200JSA-JO
00026342W	HG-6342-JO	201JGY715 (00028215W) 01603568	
00028170W	CCG-8170-JO	(01760306-0066) 01760306-0221	HG-201JGY-JO
00028172W	FG-8172-JO	201JHY715	HG-201JHY-JO
00028218W	HG-8218-JO	201VDG715	RG-201VDG-JO
00028244W (271JGY715)	HG-8244-JO	202JGY715 (01760306-0124)01760306-0242	HG-202JGY-JO
00028332W	HG-8332-JO	203JGY715 (00043570W) 01760306-0240	HG-203JGY-JO
00032632W (00025953W)	BG-2632-JO	204JGY715 (01609031-0004) 01760306-0226	
00033815W	GKT-3815-JO	01609032-0002 (01760306-0008)	HG-204JGY-JO
00033821W	FL-3821-JO	205JGY715	GKT-205JGY-JO
00034162W	HG-4162-JO	209JGY715	HG-209JGY-JO
00034355W	RG-4355-JO	2109898	GKT-9898-JO
00034585W	HG-4585-JO	211JGY715 (01609032-0001)	
00039357W	GKT-9357-JO	01760306-0225 (01760306-0227)	HG-211JGY-JO
00044271W	GKT-4271-JO	212JGY715 (01609031-0001) 01760306-0223	HG-212JGY-JO
00044720W	GKT-4720-JO	214JGY715 (241377) 01760306-0230	HG-1377-JO
00202555	GKT-2555-JO	217JGY715 (01760306-0231) 01760306-0232	HG-217JGY-JO
00203432	GKT-3432-JO	218JGY715 (00041289W) 00201115	
00203936	HG-3936-JO	(01760306-0222)	HG-218JGY-JO
00203937	HG-3937-JO	219JGY715 (00028340W) 01760306-0229	HG-8340-JO
00207866	RG-7866-JO	220JGY715 (00026195W) 00026704W	HG-220JGY-JO
00217458	HG-7458-JO	225JGY715 (00028087W) 01760306-0237	HG-225JGY-JO
00218590	GKT-8590-JO	226JGY715 (01760306-0238)	HG-226JGY-JO
00219922	HG-9922-JO	229JGY715 (25957W)	GKT-5957-JO
00235804	HG-5804-JO	232JGY715	HG-232JGY-JO
00235907	RG-5907-JO	233JGY715 (01605084) 01760306-0235	HG-233JGY-JO
00235908 (01760306-0322)	RG-5908-JO	238JGY715	GKT-238JGY-JO
00235909 (01760306-0323)	RG-5909-JO	239JGY715	HG-239JGY-JO
00235910 (01760306-0324)	RG-5910-JO	241JGY715	HG-241JGY-JO
00236213 (01760306-0325)	RG-6213-JO	244JGY715	HG-244JGY-JO
00241501	GKT-1501-JO	245JGY715 (220183)	GKT-245JGY-JO
00242066 (00026187W) 01760306-0088	RG-2066-JO	248JGY715 (01609564) 01760306-0115	HG-248JGY-JO
00243671	RG-243671-JO	25BC499	RG-B499-JO
00244867	RG-4867FL-JO	25BC513	RG-BC513-JO
00244869	RG-4869-JO	25BC556	RG-BC556-JO
00903515-0021	WAS-21-JO	25BC561	RG-BC561-JO
00903514-0021	CW-21C-JO	259JGY715	HG-259JGY-JO
00903515-0022	WAS-22-JO	267JGY715	HG-267JGY-JO
00903514-0022	CW-22C-JO	268JGY715	HG-268JGY-JO
00903514-0031	CW-31C-JO	270JGY715	HG-270JGY-JO
00903514-0036	CW-36-JO	01249173	PCG-9173-JO
00903514-0038	CW-38C-JO	01603337	HG-3337-JO
00903514-0025 (00903515-0025)	WAS-25C-JO	01607994	GKT-7994-JO
00903515-0036	WAS-36-JO	01608609	HG-8609-JO
00907411-0013	GKT-1113-JO	01660198	GKT-0198-JO



INDEPENDENT COMPONENTS CORP.

528 Hempstead Turnpike, West Hempstead, NY 11552 • Phone 516-481-5100 FAX 516-481-5550
www.iccparts.com sales@iccparts.com • Toll Free: Phone 877-ICC-ICC3 FAX 800-814-8883

JOY

JOY PART NO.	I.C.C. PART NO.	JOY PART NO.	I.C.C. PART NO.
01660210.....	GKT-0210-JO	01760306-0244.....	HG-0244-JO
01660222N.....	RG-0222-JO	01760306-0245.....	HG-0245-JO
01660225.....	RG-0225-JO	01760306-0246 (00202232).....	HG-0246-JO
01660527N.....	HG-60527-JO	01760306-0247 (269JGY715) 01760306-0123.....	HG-0247-JO
01660529N.....	FL-60529-JO		
01660538N.....	FL-60538-JO	01760306-0248 (01606000) 01760306-0094 (01760306-0115).....	HG-0248-JO
01661562N.....	GKT-1562N-JO	01760306-0251 (00028542W).....	GKT-0251-JO
01663742-016N.....	GKT-0016N-JO	01760306-0252 (00028543W).....	GKT-0252-JO
01663742-0203.....	GKT-0203-JO		
01722046.....	GKT-2046-JO		
01760072.....	HG-60072-JO	01760306-0253.....	GKT-0253-JO
01760306-0086.....	FL-0086-JO	01760306-0254.....	GKT-0254-JO
01760306-0087.....	RG-0087-JO	01760306-0255.....	GKT-0255-JO
01760306-0089 (01248314).....	RG-0089-JO	01760306-0256 (00029662W).....	GKT-0256-JO
01760306-0090 (00026585W).....	RG-0090-JO	01760306-0257 (00029659W).....	GKT-0257-JO
01760306-0091 (00028412W).....	GKT-0091-JO	01760306-0258 (00030325W).....	GKT-0258-JO
01760306-0092.....	HG-0092-JO	01760306-0268.....	RG-0268-JO
01760306-0096.....	GKT-0096-JO	01760306-0271.....	RG-0271-JO
01760306-0111.....	GKT-0111-JO	01760306-0273.....	HG-0273-JO
01760306-0182 (00026186W).....	BHG-0182-JO	01760306-0281.....	HG-0176-JO
		01760306-0282.....	GKT-0282-JO
01760306-0184.....	GKT-0184-JO	01760306-0283.....	HG-0283-JO
01760306-0211.....	GKT-0211-JO	01760306-0288.....	HG-0288-JO
01760306-0212.....	RG-212-JO	01760306-0306 (00028343W).....	GKT-0306-JO
01760306-0213.....	RG-213-JO	01760306-0307.....	GKT-0307-JO
01760306-0220.....	HG-0220-JO	01760306-0308.....	GKT-0308-JO
01760306-0224 (01609031-0002).....	HG-6224-JO	P1405555-00637.....	GKT-0637-JO
01760306-0234.....	HG-0234-JO	P1405555-00800.....	GKT-0800-JO
01760306-0239 (00026193W).....	HG-0239-JO	RA236504.....	GK-6504-JO

BULL RINGS

00241332.....	BR-1332-JO	00245270.....	BR-5270-JO	01760260-0006.....	BR-26006-JO
00241334.....	BR-1334-JO	00245071.....	BR-5271-JO	01760260-0007.....	BR-26007-JO
00241335.....	BR-1335-JO	01600347.....	BR-0347-JO	01760260-0008.....	BR-26008-JO
00241336.....	BR-1336-JO	01602775.....	BR-2775-JO	01760260-0009.....	BR-26009-JO
00241337.....	BR-1337-JO	01604363.....	BR-4363-JO	01760260-0010.....	BR-26010-JO
00241339.....	BR-1339-JO	01604983.....	BR-4983-JO	01760260-0011.....	BR-26011-JO
00241340.....	BR-1340-JO	01607256.....	BR-7256-JO	01760260-0012.....	BR-26012-JO
00241341.....	BR-1341-JO	01722503-0001.....	BR-0301-JO	01760260-0013.....	BR-26013-JO
00241342.....	BR-1342-JO	01722503-0005.....	BR-0305-JO	01760260-0014.....	BR-26014-JO
00241344.....	BR-1344-JO	01722503-0006.....	BR-0306-JO	01760260-0016.....	BR-26016-JO
00245265.....	BR-5265-JO	01760260-0001.....	BR-26001-JO	01760260-0017.....	BR-260017-JO
00245266.....	BR-5266-JO	01760260-0002.....	BR-26002-JO	01760260-0018.....	BR-26018-JO
00245267.....	BR-5267-JO	01760260-0003.....	BR-26003-JO	01760260-0020.....	BR-26020-JO
00245268.....	BR-5268-JO	01760260-0004.....	BR-26004-JO	304JGY163.....	BR-304JGY-JO
00245269.....	BR-5269-JO	01760260-0005.....	BR-26005-JO	305JGY163.....	BR-305JGY-JO
				306JGY163.....	BR-306JGY-JO

See GD-JOY-Index for a complete list of parts by OEM part number

Please call for price and delivery of part numbers not listed

Independent Components Corp. Is an independent supplier of compressor replacement parts and is not affiliated with manufacturers mentioned in this catalog. The original manufacturers product description and/or part number is given for reference only.



INDEPENDENT COMPONENTS CORP.

528 Hempstead Turnpike, West Hempstead, NY 11552 • Phone 516-481-5100 FAX 516-481-5550
www.iccparts.com sales@iccparts.com • Toll Free: Phone 877-ICC-ICC3 FAX 800-814-8883

JOY

JOY PART NO.	I.C.C. PART NO.	JOY PART NO.	I.C.C. PART NO.	JOY PART NO.	I.C.C. PART NO.
OTHER PARTS for JOY Compressors					
0A205965	VCAP-5965-JO	00220754	PST-0754-JO	00600020-0035	SCR-0035-JO
00026116W	PIN-6116-JO	00220755	PST-0755-JO	00900020-0045	SCR-0045-JO
00026128W2	ROD-6128-JO	00220878	PST-0878-JO	00900020-0396	SCR-0396-JO
00026129W1	NUT-6129-JO	00235697	PST-5697-JO	00900037-0002	SCR-7002-JO
00026216W1	VB-6216-JO	00235911	PST-5911-JO	00900037-0398	SCR-0398-JO
00026298W	PST-6298-JO	00235913	PST-5913-JO	00900160-0006	NUT-6006-JO
00026702W	SFW-26702-JO	00235802	LINER-5802-JO	00900176-0003	NUT-1763-JO
00027123W	COV-7123-JO	00235803	ROD-5803-JO	00900199-0006	NUT-1996-JO-
00028147W	VCAP-8157-JO	00236196	SLE-6196-JO	00900305-0001	LW-0001-JO
00028399W	BUS-8399-JO	00236199-000A	SPG-6199A-JO	00900572-0009	BALL-0009-JO
00030029W	ROD-0029-JO	00243611	CAGE-3611-JO	00900596-0006	LW-5/16-JO
00030036W (01608500 bi-metal only)	CRB-30036-JO	00241316	RK-1316-JO	00902018-0096	PIN-1896-JO
00030342W	XHDG-0342-JO	00242157 (15172W) .	NUT-2157-JO	00902224-0868	CAPSCR-0868-JO
00030483W	PIN-0483-JO	0A242172	SR-A2172-JO	00902224-0869	CAPSCR-0869-JO
00037164W	LINER-7164-JO	00242260	WAS-2260-JO	00902224-0870	CAPSCR-0870-JO
00037482W	COV-7482-JO	00242905	CUP-2905-JO	00902239-0056	CAPSCR-56-JO
00043743W (00026474W)	ACN-3743-JO	00376466-0002	PST-0466-2-JO	00902253-0046	SCR-30046-JO
00043783W	SETS-3783-JO	00514444	PST-4444-JO	00902253-0057	SCR-30057-JO
00044389W	WAS-4389-JO	00526194-0100	PAKASSY-100-JO	00902263-0057	SCR-6357-JO
00044390W	WAS-4390-JO	00527141	CAGE-7141-JO	00902266-0057	SCR-0057-JO
00X33107	LINER-3107-JO	00527321	SR-7321-JO	00902772-0116	STD-0116-JO
00200867	CUP-0867-JO	00527344 (0A203119)	SR-7344-JO	00902773-0127	STD-0127-JO
00202122	CAP-2122-JO	00527596	ROD-7596-JO	00903742	ACN-11-JO
00205052	DCAP-5052-JO	00527807-0004	SV-7004-JO	00903742-0012 (00036344W)	ACN-12-JO
00205053	DBUT-5053-JO	00543100	SV-3100-JO	00903643-0007	ACN-7437-JO
00205055	SPG-5055-JO	00700506-0011	VKIT-0011-JO	00903742-0009	ACN-9-JO
00205980	XHEAD-5980-JO	00700506-0014	VKIT-0014-JO	00903748-0011 (00218544)	NUT-4811-JO
00206676	ROD-6676-JO	00700506-0015	VKIT-0015-JO	00904687-0018	SPN-7018-JO
00206677	ROD-6677-JO	00700506-0016	VKIT-0016-JO	00904687-0168	SPIN-0168-JO
00206841	YOKE-6841-JO	00700506-0018	VKIT-0018-JO	00904687-0198	SPN-7198-JO
0A206842	CAGE-6842-JO	00700506-0679	VKIT-0679-JO	00905375-0005	NUT-3755-JO
00206873	YOKE-6873-JO	00700506-0690	VKIT-0690-JO	00910066-0006	FMG-6606-JO
00210515	GBOX-0515-JO	00700506-1001	VKIT-1001-JO	00910066-0007	FMG-6607-JO
00212467	SCR-2467-JO	00700506-1002	VKIT-1002-JO	00910069-0005	FMG-6905-JO
00212472	SCR-2472-JO	00700506-1003	VKIT-1003-JO	00910069-0006	FMG-6906-JO
00213653	NUT-3653-JO	00700506-1005	VKIT-1005-JO	00910069-0007	FMG-6907-JO
00215360	NUT-5360-JO	00700600-0332	RK-0332-JO	00910069-0008	FMG-6908-JO
00217448	HHC-7448-JO	00701600-0962	PST-0962-JO	00910069-0012	FMG-6912-JO
00219594	RETS-9594-JO	00701323-0001	SRS-3231-JO	00910069-0003	FMG-6903-JO
00219743	SLE-9743-JO	00701601-0679	ROD-1679-JO	00910069-0004	FMG-6904-JO
00220242-000A	SPG-0242A-JO	00700506-1005	VKIT-1005-JO	00910069-0005	FMG-6905-JO
00220368	PLG-0368-JO	00700600-0332	RK-0332-JO	00910069-0006	FMG-6906-JO
00220609	PST-0609-JO	00701600-0962	PST-0962-JO	00910069-0007	FMG-6907-JO
00220639	PST-0639-JO	00701323-0001	SRS-3231-JO	00910069-0008	FMG-6908-JO
		00701601-0679	ROD-1679-JO	00910069-0012	FMG-6912-JO
		00701601-0980	NUT-980-JO		
		00701601-0981	NUT-981-JO		
		00701904-0989	PST-0989-JO		
		00900020-0002	SCR-0002-JO		
		00900020-0013	SCR-0013-JO		

We sell only to resale accounts – We do not sell to the end user

Please call for price and delivery of part numbers not listed

Independent Components Corp. Is an independent supplier of compressor replacement parts and is not affiliated with manufacturers mentioned in this catalog. The original manufacturers product description and/or part number is given for reference only.



INDEPENDENT COMPONENTS CORP.

528 Hempstead Turnpike, West Hempstead, NY 11552 • Phone 516-481-5100 FAX 516-481-5550
www.iccparts.com sales@iccparts.com • Toll Free: Phone 877-ICC-ICC3 FAX 800-814-8883

JOY

JOY PART NO.	I.C.C. PART NO.	JOY PART NO.	I.C.C. PART NO.	JOY PART NO.	I.C.C. PART NO.
OTHER PARTS for JOY Compressors					
00910400-0048	SETS-0048-JO	01605051	PST-5051-JO	01609854	PAK-9854-JO
00910401-0049	SETS-0049-JO	01606257	CAGE-6257-JO	01760149	PST-0149-JO
00910400-0070	SETS-0070-JO	01607380	PKR-7380-JO	01760151	PST-0151-JO
00910400-0129	SETS-0129-JO	01608020-0001	LINER-0201-JO	01760152	PST-0152-JO-
00910401-0082	SETS-82-JO	01608030-0003	LINER-8030-3-JO	01760153	PST-0153-JO
00910400-0093 (00910401-0093)		01608503	PIN-8503-JO	01760154	PST-0154-JO
00900511-263	SETS-93-JO	01608720	PLG-8720-JO	01760155	PST-0155-JO
01247108.....	SPG-7108-JO	01608781	COV-8781-JO	01760156	PST-0156-JO
01247109.....	SPG-7109-JO	01608792	LINER-8792-JO	01760157	PST-0157-JO
01247341.....	DCAP-7341-JO	01608861	PLG-8861-JO	01760209	PST-0209-JO
01247457.....	CAGE-7457-JO	01608902	PLG-8902-JO	01760265	PST-0265-JO
01247681.....	LINER-7681-JO	01608922	LINER-8922-JO	01760353-0055	WAS-0055-JO
01247888.....	GCUP-7888-JO	01608924	LINER-8924-JO	01760353-0058	WAS-0058-JO
01247890.....	LINER-7890-JO	01608926	LINER-8926-JO	01760366-0063	NUT-6663-JO
01248135.....	WAS-8135-JO	01608930	LINER-8930-JO	01760366-0064	NUT-6664-JO
01248136.....	PSTVAL-8136-JO	01608932	LINER-8932-JO	01760369-0005	SLE-3695-JO
01600854.....	PST-0854-JO	01608934	LINER-8934-JO	01760367-0097 (01760150)	
01600859.....	NUT-0859-JO	01608944	LINER-8944-JO	PST-7097-JO
01600860.....	NUT-0860-JO	01608948	LINER-8948-JO	01760367-0155	PST-7155-JO
01601516.....	SLE-1516-JO	01608950	LINER-8950-JO	03603144	PST-3144-JO
01601517.....	SPG-1517-JO	01608980	LINER-8980-JO	03603145	PST-3145-JO
01603224.....	BUS-3224-JO	01609108	LINER-9108-JO	300JHY461	SR-300JHY-JO
01604215.....	YOKE-4215-JO	01609431 (00241426)	PAK-9431-JO	76J13	SETS-J13-JO
01604979 (00701600-0962)	PST-4979-JO	01609506	LINER-9506-JO	76J20	SETS-J20-JO
01605010.....	PST-5010-JO	01609558	PLG-9558-JO	76J22	SETS-J22-JO
01605011.....	PST-5011-JO	01609559	SLE-9559-JO	76J27	SETS-J27-JO
01605049.....	LINER-5049-JO	01609699	PAK-9699-JO		
01605050.....	PST-5050-JO	01609815	PST-9815-JO		

AIR-OIL SEPARATORS

See complete listing in FILTERS AIR-OIL SEPARATORS section.

AIR FILTERS OIL FILTERS and AIR FILTER ASSEMBLIES

See complete listing in FILTERS AIR-OIL SEPARATORS section.

INLINE FILTERS

See complete listing in FILTERS AIR-OIL SEPARATORS section.

See GD-JOY-Index for a complete list of parts by OEM part number

Please call for price and delivery of part numbers not listed

We sell only to resale accounts – We do not sell to the end user

Independent Components Corp. Is an independent supplier of compressor replacement parts and is not affiliated with manufacturers mentioned in this catalog. The original manufacturers product description and/or part number is given for reference only.



INDEPENDENT COMPONENTS CORP.

528 Hempstead Turnpike, West Hempstead, NY 11552 • Phone 516-481-5100 FAX 516-481-5550
www.iccparts.com sales@iccparts.com • Toll Free: Phone 877-ICC-ICC3 FAX 800-814-8883

GD-JOY Index by OEM Number

This page intentionally left blank

This Page Intentionally left blank



INDEPENDENT COMPONENTS CORP.

528 Hempstead Turnpike, West Hempstead, NY 11552 • Phone 516-481-5100 FAX 516-481-5550
www.iccparts.com sales@iccparts.com • Toll Free: Phone 877-ICC-ICC3 FAX 800-814-8883

COMPAIR – KELLOGG

KE PART NO.	I.C.C. PART NO.	KE PART NO.	I.C.C. PART NO.	KE PART NO.	I.C.C. PART NO.
VALVE ASSEMBLIES without SEAT GASKETS (As Kellogg supplies valves)			VALVE ASSEMBLIES <i>Note: these are loose parts - Valve Seats, Retainers, Discs, Springs, and Seat Gaskets.</i>		
48141	VAL-1D-KE	49542	VAL-7D-KE	321 Small Valves	VAL-5-KE
47935	VAL-1S-KE	49541	VAL-7S-KE	321 Large & 331 Suction Valves	VAL-6-KE
47936	VAL-2D-KE	49540	VAL-8D-KE	331 Discharge Valves	VAL-6D-KE
50681	VAL-2S-KE	49539	VAL-8S-KE		
38739	VAL-3D-KE	47406	VAL-9D-KE	VALVE SEATS & RETAINERS	
38738	VAL-3S-KE	47402	VAL-9S-KE	12526	VS-5-KE
38737	VAL-4D-KE			12529	VS-6-KE
38736	VAL-4S-KE			12524	VR-5-KE
				12528	VR-6-KE

VALVE SETS (Valve assemblies and seat gaskets for one compressor)		VALVE REPAIR KITS. Contain valve discs and springs, valve seat gaskets and locating pin if required		VALVE REPAIR KITS with all gaskets for head	
.....	VSET-311-KE	18915	VRK-311-KE	79572	VRK-332G-KE
.....	VSET-320-KE	18916	VRK-320-KE	79570	VRK-335G-KE
.....	VSET-321-KE	18868	VRK-321-KE	79568	VRK-352NG-KE
.....	VSET-325-KE	45678	VRK-325-KE	79566	VRK-452G-KE
.....	VSET-330-KE	18873	VRK-331-KE	79564	VRK-462NG-KE
.....	VSET-331-KE	79440	VRK-332-KE		
for 332 and 335	VSET-332-KE	75313	VRK-340-KE		
.....	VSET-340-KE	VRK-351-KE		
.....	VSET-351-KE	47576	VRK-352N-KE		
.....	VSET-352N-KE	76108	VRK-360N-KE		
.....	VSET-360-KE	49095	VRK-452-KE		
.....	VSET-452-KE	47609	VRK-462N-KE		
.....	VSET-462N-KE	48051	VRK-K25N-KE		

VALVE DISCS		VALVE SPRINGS		VALVE DAMPENING PLATES	
12525	DISC-1-KE	7891	SPG-1-KE	47760	SPG-15-KE
12527	DISC-2-KE	12590	SPG-2-KE	47767	SPG-16-KE
30269	DISC-3-KE	38607	SPG-3-KE	47773	SPG-17-KE
38608	DISC-4-KE	38827	SPG-4-KE	49737	SPG-18-KE
38620	DISC-5-KE	38619	SPG-5-KE	49735	SPG-19-KE
47032	DISC-6-KE	38828	SPG-6-KE	49731	SPG-20-KE
47422	DISC-7-KE	76127	SPG-7-KE	45011	SPG-21-KE
47756	DISC-8-KE	47033	SPG-8-KE	45012	SPG-22-KE
47769	DISC-9-KE	47037	SPG-9-KE		
47974	DISC-11-KE	47420	SPG-10-KE		
47973	DISC-12-KE	47992	SPG-11-KE		
49748	DISC-13-KE	47993	SPG-12-KE		
49730	DISC-14-KE	47432	SPG-13-KE		
45013	DISC-15-KE	47754	SPG-14-KE		

RING GUIDES, LOCATING PINS VALVE BOLTS and LOCK NUTS					
76128	RG-1S-KE	48143	VB-1-KE	48144	LNUT-1-KE
76129	RG-1D-KE	50679	VB-2-KE	50680	LNUT-2-KE
38613	LPIN-1-KE	38612	VB-3-KE	38614	LNUT-3-KE
49929	LPIN-2-KE			47428	LNUT-4-KE
				47424	LNUT-5-KE

TOOLS FOR 321 & 331 SEATS & RETAINERS					
16870 (For Small Valve Retainer)	VTOOL-5-R-KE	16868 (For Large Valve Retainer)	VTOOL-6-R-KE		
16869 (For Small Valve Seat)	VTOOL-5-S-KE	17867 (For Large Valve Seat)	VTOOL-6-S-KE		

Independent Components Corp. Is an independent supplier of compressor replacement parts and is not affiliated with manufacturers mentioned in this catalog. The original manufacturer's product description and/or part number is given for reference only.



INDEPENDENT COMPONENTS CORP.

528 Hempstead Turnpike, West Hempstead, NY 11552 • Phone 516-481-5100 FAX 516-481-5550
www.iccparts.com sales@iccparts.com • Toll Free: Phone 877-ICC-ICC3 FAX 800-814-8883

COMPAIR – KELLOGG

TUNE UP KITS TUK's with Wearing Valve Parts include gasket set, piston ring set, oil seal, air filter element, insert bearings, and valve discs & springs to recondition one compressor. Kits for Models **332**, **335** and **452** include unloader springs. Kits for Models **352** and **462** include unloader plunger assembly and unloader springs.

VALVE SET TUNE UP KITS VSTUK's with Complete Replacement Valves include all parts in TUK's, with Complete Replacement Valves (Current Style) instead of Wearing Valve Parts.

Notes	STANDARD SIZE BEARINGS		UNDERSIZE BEARINGS	VSTUK
	I.C.C. PART NO.		.020 Undersize	
 TUK-235-KE		TUK-235U-KE	
Does not use Insert Bearings TUK-311-KE		Does not use Insert Bearings	VSTUK-311-KE
Does not use Insert Bearings TUK-320-KE		Does not use Insert Bearings	VSTUK-320-KE
 TUK-321-KE		TUK-321U-KE	VSTUK-321-KE
 TUK-325-KE		TUK-325U-KE	VSTUK-325-KE
Does not use Insert Bearings TUK-330-KE		Does not use Insert Bearings	VSTUK-330-KE
 TUK-331-KE		TUK-331U-KE	VSTUK-331-KE
 TUK-332-KE		TUK-332U-KE	VSTUK-332-KE
 TUK-335-KE		TUK-335U-KE	VSTUK-335-KE
 TUK-340-KE		TUK-340U-KE	VSTUK-340-KE
Including old and new style springs TUK-352-A-KE		TUK-352-AU-KE	use VSTUK-352N-KE
Including old style springs TUK-352-KE		TUK-352U-KE	use VSTUK-352N-KE
Including new style springs TUK-352-N-KE		TUK-352-NU-KE	VSTUK-352-N-KE
Including old and new style springs TUK-360-A-KE		TUK-360-AU-KE	
Including old style springs TUK-360-KE		TUK-360U-KE	
Including new style springs TUK-360N-KE		TUK-360NU-KE	
	with 1 large filter TUK-452-1-KE		TUK-452-1U-KE	VSTUK-452-1-KE
	with 2 small filters .. TUK-452-2-KE		TUK-452-2U-KE	VSTUK-452-2-KE
Including old and new style springs.....	TUK-462-A-KE		TUK-462-AU-KE	use VSTUK-462N-KE
Including old style springs TUK-462-KE		TUK-462U-KE	use VSTUK-462N-KE
Including new style springs TUK-462-N-KE		TUK-462-NU-KE	VSTUK-462N-KE

- NOTE:**
- A** – Contains both new and old style valve springs.
 - N** – Contains new style valve springs.
 - S** – Contains steel oil rings.
 - U** – Contains .020 undersize bearings.
 - NU** – Contains new style valve springs, .020 undersize bearings.
 - SU** – Contains steel oil rings, .020 undersize bearings.

Sometime in the “early 70’s” Kellogg changed the internals of the valves used in the 352 & 462 low pressure and 360 & K25 high pressure valves. There is **NO** serial number reference for this change.

The internals (except DISCs) are not interchangeable, so you must be careful to order the correct overhaul kit! The complete valves are the same size so that current valves can be used to replace old style valves. The valve part numbers did not change.

Old Style Spring



SPG-3-KE - suction
SPG-4-KE - discharge

Current Style Spring



SPG-7-KE - both suction
and discharge

Old vs New Style Kellogg 38736 & 38737 Valve Assemblies

Kits may be available for other similar compressors. please call for details.

Independent Components Corp. is an independent supplier of compressor replacement parts and is not affiliated with manufacturers mentioned in this catalog. The original manufacturers product description and/or part number is given for reference only.



INDEPENDENT COMPONENTS CORP.

528 Hempstead Turnpike, West Hempstead, NY 11552 • Phone 516-481-5100 FAX 516-481-5550
 www.iccparts.com sales@iccparts.com • Toll Free: Phone 877-ICC-ICC3 FAX 800-814-8883

COMPAIR – KELLOGG

HEAD OVERHAUL KITS *HOK's* with *Wearing Valve Parts*. To simplify ordering parts for single machine valve and cylinder head repair, HEAD OVERHAUL KITS have been assembled with all necessary gaskets, O-Rings, valve disc & springs, and filter elements to recondition one compressor. Kits for Models **332, 335** and **452** include unloader springs. Kits for Models **352** and **462** include disc locating pins, unloader plunger assembly and unloader springs.

VALVE SET HEAD OVERHAUL KITS *VSHOK's* with *Complete Replacement Valves*. have been assembled which include all parts in **HOK's**, with Complete Replacement Valves (current style) instead of Wearing Valve Parts.

	I.C.C. PART NO.	VSHOK
	HOK-201-KE	
	HOK-211-KE	VSHOK-211-KE
	HOK-235-KE	VSHOK-235-KE
	HOK-311-KE	VSHOK-311-KE
	HOK-320-KE	VSHOK-320-KE
	HOK-321-KE	VSHOK-321-KE
	HOK-325-KE	VSHOK-325-KE
	HOK-330-KE	VSHOK-330-KE
	HOK-331-KE	VSHOK-331-KE
	HOK-332-KE	VSHOK-332-KE
	HOK-335-KE	VSHOK-335-KE
	HOK-340-KE	VSHOK-340-KE
	HOK-351-KE	VSHOK-351-KE
Including old and new style springs	HOK-352-A-KE	use VSHOK-352N-KE
Including old style springs	HOK-352-KE	use VSHOK-352N-KE
Including new style springs	HOK-352N-KE	VSHOK-352N-KE
Including old style springs	HOK-360-KE	
Including new style springs	HOK-360N KE	
	HOK-452-1-KE	VSHOK-452-1-KE
with 1 large filter	HOK-452-2-KE	VSHOK-452-2-KE
with 2 small filters		
Including old and new style springs	HOK-462-A-KE	use VSHOK-462N-KE
Including old style springs	HOK-462-KE	use VSHOK-462N-KE
Including new style springs	HOK-462N-KE	VSHOK-462-N-KE
Including old style springs	HOK-K25-KE	
Including new style springs	HOK-K25N-KE	
Including old and new style springs	HOK-K25A-KE	

NOTES: See key on previous page

Kits may be available for other similar compressors. Please call for details

COMPAIR – KELLOGG

KE PART NO.	I.C.C. PART NO.	KE PART NO.	I.C.C. PART NO.
INSERT BEARING HALVES †		MAIN BEARINGS	
38274	INS-321-KE	13321	RB-321-CO-KE
38274(.020)-Undersize	INS-321U-KE	98846	RB-321-CU-KE
		13414	RB-331-CO-KE
38275	INS-331-KE	37108	RB-352-CO-KE
38275(.020) Undersize	INS-331U-KE	37107	RB-352-CU-KE
37130	INS-352-KE	13363	RB-3363-CO-KE
37130(.020) Undersize	INS-352U-KE	13362	RB-3362-CU-KE

† Price is for ONE HALF – **ORDER TWO** per Connecting Rod.

Remember! You risk nothing to check the quality of our products



INDEPENDENT COMPONENTS CORP.

528 Hempstead Turnpike, West Hempstead, NY 11552 • Phone 516-481-5100 FAX 516-481-5550
www.iccparts.com sales@iccparts.com • Toll Free: Phone 877-ICC-ICC3 FAX 800-814-8883

COMPAIR – KELLOGG

KE PART NO.	I.C.C. PART NO.	KE PART NO.	I.C.C. PART NO.	KE PART NO.	I.C.C. PART NO.
PISTON RING KITS					
48463.....	RK-235-KE	18874.....	RK-331-KE	47030.....	RK-360-KE
48419.....	RK-311L-KE	49715.....	RK-340-KE	48178.....	RK-452-KE
48417.....	RK-311H-KE	48177.....	RK-335-KE	39338 (2 sets).....	RK-462-KE
18869.....	RK-321-KE	18888.....	RK-351-KE		
45677.....	RK-325-KE	39338.....	RK-352-KE		
PISTON PINS, PIN BUSHINGS AND ROLL PINS		UNLOADER PARTS for 332 / 335 / 352 / 452 / 462		UNLOADER PLUNGER SPRING & O-RING	
14318.....	BUS-321H-KE	9325.....	BALL-352-KE	45161.....	UNSP-352-KE
14319.....	BUS-321L-KE	39255.....	SCR-39255-KE	47962.....	ORGP-335-KE
14489.....	BUS-331-KE	39256.....	SCR-39256-KE	47997.....	UNSP-335-KE
38896.....	PIN-352L-KE	45156.....	UPS-352L-KE	UNLOADER DIAPHRAGM	
38895.....	PIN-352H-KE	45157.....	UCOV-352-KE	45154.....	DPH-3-KE
45211.....	BUS-45211-KE	45163.....	PLG-352-KE	OIL SEALS	
45211C.....	*BUS-45211C-KE	45166.....	RR-352-KE	12687.....	OS-321-KE
37007.....	RP-37007-KE	47550.....	UNUT-332-KE	13254.....	OS-331-KE
* Many Chinese rods use this different bushing.		47963.....	UFIN-332L-KE	77519.....	OS-335R-KE
UNLOADER VALVES AND PARTS		47965.....	UFIN-332H-KE	37525.....	OS-352-KE
76281.....	VAL-6281-KE	47961.....	UPL-332-KE	45368.....	OS-K25-KE
48069.....	VAL-8069-KE	77721 (45165).....	UPS-352H-KE		
HEADS		CYLINDERS		CRANKSHAFTS	
42366.....	HEAD-321-KE	17445.....	CYL-321-KE	38782.....	CKS-321-KE
76514.....	HEAD-332-KE	76529.....	CYL-332-KE	38787.....	CKS-332-KE
47926.....	HEAD-335-KE	47925.....	CYL-335-KE	77522.....	CKS-335-KE
38595.....	HEAD-352-KE	17119.....	CYL-352-KE	83620.....	CKS-335-C-KE
77687.....	HEAD-452-R-KE			38591.....	CKS-352-KE
77688.....	HEAD-452-LH-KE			48285.....	CKS-452-KE
PISTON RODS		PISTONS		PISTONS with Pins & Rings	
38270.....	ROD-321L-KE	38236.....	PT-321H-KE	38346.....	PSTR-332H-KE
38271.....	ROD-321H-KE	38237.....	PT-321L-KE	38347.....	PSTR-332L-KE
38272.....	ROD-332-KE	38238.....	PT-332H-KE	39201.....	PSTR-352H-KE
38909.....	ROD-352-KE	38239.....	PT-332L-KE	39202.....	PSTR-352L-KE
48284.....	ROD-452-KE	47944.....	PT-335L-KE	PISTON PINS	
NEEDLE BEARINGS & BUSINGS		47948.....	PT-335H-KE	38231.....	PIN-321L-KE
13206.....	NB-13206-KE	39110.....	PT-352H-KE	38235.....	PIN-321H-KE
13207.....	NB-13207-KE	39111.....	PT-352L-KE	38240.....	PIN-332H-KE
18153.....	BUS-8153-KE	PISTONS with Pins		38241.....	PIN-332L-KE
		48175.....	PST-335H-KE	47045.....	PIN-335L-KE
		48176.....	PST-335L-KE	47949.....	PIN-335H-KE
INTERCOOLER TUBES		SAFETY VALVES			
38325.....	IT-321-A-KE	42471.....	CKV-42471-KE		
38326.....	IT-321-B-KE	79933.....	CKV-79933-KE		
76525.....	IT-332-KE	8603.....	ISV-60-KE		
47940.....	IT-335-KE	48633.....	SV-48633-KE		
38598.....	IT-352-KE				
48706.....	IT-452-LH-KE				
48707.....	IT-452-RH-KE				

Full money back Guarantee if not satisfied



INDEPENDENT COMPONENTS CORP.

528 Hempstead Turnpike, West Hempstead, NY 11552 • Phone 516-481-5100 FAX 516-481-5550
www.iccparts.com sales@iccparts.com • Toll Free: Phone 877-ICC-ICC3 FAX 800-814-8883

COMPAIR – KELLOGG

KE PART NO.	I.C.C. PART NO.	KE PART NO.	I.C.C. PART NO.	KE PART NO.	I.C.C. PART NO.
GASKET KITS with Valve Seat		HEAD, CYLINDER and FLANGE		VALVE GASKETS and "O" RINGS	
Gaskets, Unloader Cover Gaskets & Oil Seal		GASKETS		12549.....	VSG-321-KE
79456 (32377).....	GK-211-KE	45038.....	HG-201-KE	12548.....	VSG-331-KE
48464.....	GK-235-KE	17235.....	HG-211-KE	47403.....	VSG-47403-KE
48413.....	GK-311-KE	48002.....	HG-235-KE	47937.....	VSGL-335-KE
79455(18870).....	GK-321-KE	48204.....	HG-311-KE	47938.....	VSGH-335-KE
45681.....	GK-325-KE	17455.....	HG-321-KE	49533.....	VSGL-340-KE
.....	GK-330-KE	45398.....	HG-325-KE	49530.....	VSGH-340-KE
18875.....	GK-331-KE	45397.....	CG-325-KE	38609.....	VSGL-352-KE
79454(76537).....	GK-332-KE	17061.....	HG-331-KE	38621.....	VSGH-352-KE
79458.....	GK-335-KE	76515.....	HG-332-KE	45375.....	VSGL-K25-KE
79453(49711).....	GK-340-KE	47939.....	HG-335-KE	48210.....	VCGH-311-KE
79457(39336).....	GK-352-KE	49522.....	HG-340-KE	48250.....	VCOD-235-KE
76107.....	GK-360-KE	30097.....	HG-351-KE	47931.....	VCOH-335-KE
79452(48667).....	GK-452-KE	38596.....	HG-352-KE	47933.....	VCOL-335-KE
79451(42280).....	GK-462-KE	38908.....	CG-352-KE	49535.....	VCOL-340-KE
47039.....	GK-K25-KE	38602.....	CF-352-KE	45359.....	VCOL-K25-KE
		45358.....	HG-K25-KE	45360.....	VCOH-K25-KE

END COVER GASKET SETS

.....	EC-311-KE
38408.....	EC-321-KE
38409.....	EC-331-KE
39221.....	EC-352-KE
38809.....	EC-462-KE

31772.....	CB-31772-KE
37100.....	EC-37100-KE
37101.....	EC-37101-KE
37102.....	EC-37102-KE
37103.....	SP-37103-KE

45361.....	IC-45361-KE
45362.....	FL-45362-KE
45437.....	FL-45437-KE
47923.....	CB-47923-KE
48332.....	SP-48332-KE

OTHER INDIVIDUAL GASKETS

17277.....	EC-17277-KE
17278.....	EC-17278-KE
17279.....	EC-17279-KE
17444.....	CB-17444-KE
17760.....	EC-17760-KE
17761.....	EC-17761-KE
17762.....	EC-17762-KE
17835.....	CB-17835-KE
31764.....	EC-31764-KE
31765.....	EC-31765-KE

38013.....	EC-38013-KE
38267.....	UC-38267-KE
38318.....	SG-38318-KE
38396.....	OFP-38396-KE
38573.....	CB-38573-KE
38574.....	EC-38574-KE
38575.....	EC-38575-KE
38576.....	EC-38576-KE
45158.....	UC-45158-KE

48336.....	FLI-48336-KE
48337.....	FLD-48337-KE
48778.....	UC-48778-KE
51305.....	ORG-51305-KE
53661.....	ORG-53661-KE
55635.....	ORG-5635-KE
57370.....	RG-57370-KE
70597.....	ORG-70597-KE
72359.....	ORG-72359-KE
72484.....	ORG-72484-KE

ROTARY SCREW AND VANE COMPRESSOR PARTS

See complete listing in ROTARY SCREW COMPRESSOR PARTS section

AIR-OIL SEPARATORS

See complete listing in FILTERS AIR-OIL SEPARATORS section.

AIR FILTERS OIL FILTERS and AIR FILTER ASSEMBLIES

See complete listing in FILTERS AIR-OIL SEPARATORS section.

INLINE FILTERS

See complete listing in COMPRESSOR OILS INLINE FILTERS section.

We sell only to resale accounts – We do not sell to the end user

Independent Components Corp. Is an independent supplier of compressor replacement parts and is not affiliated with manufacturers mentioned in this catalog. The original manufacturers product description and/or part number is given for reference only.



INDEPENDENT COMPONENTS CORP.

528 Hempstead Turnpike, West Hempstead, NY 11552 • Phone 516-481-5100 FAX 516-481-5550
www.iccparts.com sales@iccparts.com • Toll Free: Phone 877-ICC-ICC3 FAX 800-814-8883

COMPAIR – KELLOGG

KE PART NO.	I.C.C. PART NO.	KE PART NO.	I.C.C. PART NO.	KE PART NO.	I.C.C. PART NO.
OTHER KELLOGG PARTS					
00690.....	ELB-690-KE	38195.....	SPG-38195-KE	47928.....	VCD-332L-KE
09158.....	NUT-321-KE	38197.....	RP-8197-KE	47929.....	HOLD-335HD-R-KE
09286.....	LW-1/2-KE	38255.....	RP-38255-KE	48004.....	FLY-335-KE
09395.....	KEY-321-KE	38258.....	UHA-352-KE	47930.....	VCI-332H-KE
09396.....	KEY-332-KE	38490.....	PLUG-321-KE	47950.....	BASE-335-KE
09523.....	LW-5/16-KE	38586.....	ROF-352-KE	47952.....	WGT-321-KE
10755.....	TUBE-0755-KE	38593.....	FLY-352-KE	47957.....	RIV-47957-KE
12949.....	ELB-2949-KE	38596.....	HG-352G-KE	47958.....	PLG-321-KE
12950.....	TC-2950-KE	38597.....	HDPL-352-TV-KE	47960.....	HOLD-335LI-KE
13482.....	RBOLT-321-KE	38599.....	AF-352-KE	47964.....	HOLD-335HI-KE
13620.....	ELB-3620-KE	38610.....	HDR-352-LP-KE	47966.....	TUBE-7966-KE
16114.....	CSP-331-KE	38622.....	HDR-352-HP-KE	47971.....	VCD-332H-KE
17274.....	SNRG-7274-KE	38628.....	CWR-352-KE	48047.....	SG-1-KE
17757.....	SRNG-7757-KE	38907.....	MAN-38907-KE	48139.....	HOLD-335HD-KE
18069.....	SCR-18069-KE	38920.....	AF-462-KE	48290.....	FC-335-KE
18122.....	CP-18122-KE	38923.....	UTUBE-452-KE	48350.....	TUBE-8350-KE
18509.....	UTUBE-332-KE	39203.....	SCR-39203-KE	48471.....	HOLD-332HI-KE
30091.....	HBOLT-352-KE	39254.....	SCR-39254-KE	48495.....	HOLD-332LI-KE
31010.....	FLY-332-KE	39267.....	CSTRAP-9267-KE	48675.....	ROF-452-KE
37001.....	CAP-321-KE	39610.....	TUBE-9610-KE	48870.....	CCA-8870-KE
37104.....	SRING-7104-KE	39793.....	SPG-352-KE	49007.....	FC-321-KE
37109.....	KEY-352-KE	39811.....	CSTRAP-9811-KE	49616.....	TUBE-9616-KE
37735.....	CAP-352-KE	42384.....	TFIT-2384-KE	49746.....	LNUT-8-KE
38074.....	TFIT-8074-KE	42469.....	CSP-462-KE	49747.....	FW-8-KE
38173.....	WGT-352-KE	43457.....	TUBE-3457-KE	49913.....	WRET-9913-KE
38177.....	UP-8177-KE	45153.....	UB-352-KE	59285.....	SW-59285-KE
38182.....	STM-352-KE	45155.....	PG-1-KE	59938.....	SW-59938-KE
38184.....	CAP-8184-KE	45159.....	HDPL-352-KE	74411.....	PIPE-4411-KE
38185.....	VR-8185-KE	45164.....	UFIN-352L-KE	74413.....	PLUG-335-KE
38192.....	SCRN-352-KE	47430.....	FW-47430-KE	76541.....	AT-332-KE
38193.....	FELT-352-KE	47922.....	VCI-332L-KE	79563.....	OHKIT-462-KE
38194.....	SPG-8194-KE	47927.....	HOLD-332LD-KE	96472.....	SCR-6472-KE
				159002.....	SW-9002-KE

Kellogg Screw Machine Parts

54953.....	MPCV-4953-KE
17093.....	MRL-17093-KE
260841.....	RVAL-0841-KE
R0051330.....	RVAL-1330P-KE
262876.....	RVAL-2876-KE
R0159294.....	RVAL-9294N-KE
300242.....	VRK-0241-KE
260713.....	VRK-0713-KE
295005.....	VRK-9005-KE
C304*00670.....	VRK-9006-KE
259540.....	VRK-9540-KE

Independent Components Corp. Is an independent supplier of compressor replacement parts and is not affiliated with manufacturers mentioned in this catalog. The original manufacturer's product description and/or part number is given for reference only.



INDEPENDENT COMPONENTS CORP.

528 Hempstead Turnpike, West Hempstead, NY 11552 • Phone 516-481-5100 FAX 516-481-5550
www.iccparts.com sales@iccparts.com • Toll Free: Phone 877-ICC-ICC3 FAX 800-814-8883

COMPAIR – HYDROVANE

HYDROVANE / KE PART NO.	I.C.C. PART NO.	HYDROVANE / KE PART NO.	I.C.C. PART NO.	HYDROVANE / KE PART NO.	I.C.C. PART NO.
SEPARATOR KITS		MAINTENANCE KITS		OIL CHANGE KITS	
KS031.....	SKIT-KS031-HY	KM031.....	MKIT-KM031-HY	KO031.....	OCK-KO031-HY
KS032.....	SKIT-KS032-HY	KM032.....	MKIT-KM032-HY	KO066.....	OCK-KO066-HY
KS066E.....	SKIT-KS066E-HY	KM066.....	MKIT-KM066-HY	KO120.....	OCK-KO120-HY
KS066F.....	SKIT-KS066F-HY	KM120.....	MKIT-KM120-HY	KO170.....	OCK-KO170-HY
KS120E.....	SKIT-KS120E-HY	KM170.....	MKIT-KM170-HY	KO457.....	OCK-KO457-HY
KS120F.....	SKIT-KS120F-HY	KM51.....	MKIT-KM51-HY	KO457E.....	OCK-KO457E-HY
KS170E.....	SKIT-KS170E-HY	KM52.....	MKIT-KM52-HY	KO51.....	OCK-KO51-HY
KS170F.....	SKIT-KS170F-HY	KM71.....	MKIT-KM71-HY	KO52.....	OCK-KO52-HY
KS71.....	SKIT-KS71-HY	KM72.....	MKIT-KM72-HY	KO71.....	OCK-KO71-HY
KS72.....	SKIT-KS72-HY	KM73.....	MKIT-KM73-HY	KO73.....	OCK-KO73-HY
KS81.....	SKIT-KS81-HY	KM81.....	MKIT-KM81-HY	KO81.....	OCK-KO81-HY
KS82.....	SKIT-KS82-HY	KM82.....	MKIT-KM82-HY	KO82.....	OCK-KO82-HY
KS83.....	SKIT-KS83-HY	KM83.....	MKIT-KM83-HY	KO83.....	OCK-KO83-HY
KS84.....	SKIT-KS84-HY	KM84.....	MKIT-KM84-HY	KO84.....	OCK-KO84-HY
KS85.....	SKIT-KS85-HY	KM85.....	MKIT-KM85-HY	KO85.....	OCK-KO85-HY
KS91.....	SKIT-KS91-HY				
OIL SEALS		O-RINGS			
50692.....0056767	OS-50692-HY5700562	ORG-0562-HY	9806.....5700033	ORG-9806-HY
51064.....0056017	OS-51064-HY5700565	ORG-0565-HY	9807.....5700110	ORG-9807-HY
52448.....0055404	OS-52488-HY0055458	ORG-5458-HY	9809.....0055814	ORG-9809-HY
52699.....5700474	OS-52699-HY0058055	ORG-8055-HY	9811.....5702116	ORG-9811-HY
56277.....5700812	OS-56277-HY	52109.....0057742	ORG-52109-HY	9826.....0055815	ORG-9826-HY
71553.....5702954	OS-71553-HY				
		58253.....5702140	ORG-58253-HY	9831.....	ORG-9831-HY
GAUGES		71556.....5702871	ORG-71556-HY	9842.....5702848	ORG-9842-HY
0827.....0055366	GAG-0827-HY	9703.....0057012	ORG-9703-HY	9896.....0055816	ORG-9896-HY
50002.....5700075	GAG-50002-HY	9704.....0055807	ORG-9704-HY	9902.....5702106	ORG-9902-HY
56253.....0057002	GAG-56253-HY	9707.....5700803	ORG-9707-HY	A700-33.....0055373	ORG-0033-HY
56391.....5700810	GAG-56391-HY				
72832.....5703107	GAG-72832-HY	9709.....0057698	ORG-9709-HY	OR19.....0055358	ORG-OR19-HY
		9711.....0055808	ORG-9711-HY	OR26.....0055359	ORG-OR26-HY
BONDED SEALS		9715.....5701610	ORG-9715-HY	OR3.....0055351	ORG-OR3-HY
.....0055534	SLW-5534-HY	9717.....0055809	ORG-9717-HY	OR31.....0055360	ORG-OR31-HY
9604.....0055802	BSL-9604-HY	9719.....	ORG-9719-HY	OR32.....0055361	ORG-OR32-HY
9605.....0055803	BSL-9605-HY				
9606.....5700878	BSL-9606-HY	9724.....0055810	ORG-9724-HY	OR37.....0055362	ORG-OR37-HY
9607.....5700897	BSL-9607-HY	9748.....5700116	ORG-9748-HY	OR5.....0055352	ORG-OR5-HY
		9751.....0055811	ORG-9751-HY	OR8.....0055362	ORG-OR8-HY
9609.....0056010	BSL-9609-HY	9753.....5702167	ORG-9753-HY	OR85.....0055658	ORG-OR85-HY
9611.....	BSL-9611-HY	9754.....0056016	ORG-9754-HY	R128.....0056089	ORG-R128-HY
9613.....0058000	BSL-9613-HY				
9616.....5700111	BSL-9616-HY	9758.....5702133	ORG-9758-HY	R131 (R4093) 0056085	ORG-R131-HY
9617.....5700124	BSL-9617-HY	9763.....5701727	ORG-9763-HY	R146 (R4162) 0056094	ORG-R146-HY
		9790.....5700085	ORG-9790-HY	R2050.....0057369	ORG-R2050-HY
9619.....0055806	BSL-9619-HY	9792.....5700239	ORG-9792-HY	R2100.....0057353	ORG-R2100-HY
9624.....5700063	BSL-9624-HY	9794.....5700117	ORG-9794-HY	R3062.....0056074	ORG-R3062-HY
9628.....0057619	BSL-9628-HY				
		9795.....5702134	ORG-9795-HY	R3112.....0056075	ORG-R3112-HY
		9796.....	ORG-9796-HY	R4075.....0055649	ORG-R4075-HY
		9798.....5700118	ORG-9798-HY	R4106.....0055346	ORG-R4106-HY
		9799.....5700594	ORG-9799-HY	R8650.....0055748	ORG-R8650-HY
		9802.....5700115	ORG-9802-HY	R8950.....0057586	ORG-R8950-HY
		9804.....0055813	ORG-9804-HY		
		9805.....5700080	ORG-9805-HY		



INDEPENDENT COMPONENTS CORP.

528 Hempstead Turnpike, West Hempstead, NY 11552 • Phone 516-481-5100 FAX 516-481-5550
www.iccparts.com sales@iccparts.com • Toll Free: Phone 877-ICC-ICC3 FAX 800-814-8883

COMPAIR – HYDROVANE

HYDROVANE / KE PART NO.	I.C.C. PART NO.	HYDROVANE / KE PART NO.	I.C.C. PART NO.	HYDROVANE / KE PART NO.	I.C.C. PART NO.		
GASKETS							
3006.....	0057617	GKT-3006-HY	57803	5702282	SEPG-57803-HY		
3227.....	0057370	SG-3227-HY	58249	5702427	GKT-58249-HY		
3287.....	0057716	GKT-3287-HY	58798		GKT-58798-HY		
50055.....	5700027	GKT-50055-HY	58849	5702349	GKT-58849-HY		
50062.....	5700011	EC-50062-HY	58920	5702169	GKT-58920-HY		
50070.....	5700102	MG-50070-HY	59549	5700006	AFG-59549-HY		
50071.....	5700087	MPG-50071-HY	59854 (50045)				
50080.....	5700119	SG-50080-HY	5702498 (5700060)		CPG-59854-HY		
50084.....	5700014	UHG-50084-HY	70047	5702136	SG-70047-HY		
50086.....	5700177	SG-50086-HY	71189		GKT-71189-HY		
52485.....	5700982	GKT-52485-HY	71190		SG-71190-HY		
52888.....	5700591	SG-52888-HY	71191	5702136	GKT-71191-HY		
53633.....	5700550	UG-53633-HY	73101		SG-73101-HY		
53634.....	5700556	GKT-53634-HY	8802	0055788	WAS-8802-HY		
57017CP.....	5702204	SHM-17CP-HY	8813	0057762	WAS-8813-HY		
57017DP.....	5702205	SHM-17DP-HY	9301	0055790	EC-9301-HY		
57060.....	5702432	SG-57060-HY	9302	0055791	OSG-9302-HY		
57738.....	0055285	WAS-57738-HY	9304	0055792	OFG-9304-HY		
57795.....	5702243	GKT-57795-HY	9306	0055799	IPG-9306-HY		
					9307	0055913	ORVG-9307-HY
					9311	0056768	OSG-9311-HY
					RO10000-108..	0055321	EC-0108-HY
					RO10000-270..	0055644	CP-0270-HY
					RO10000-277..	0055643	GKT-00277-HY
					RO10000-328..	0055655	GKT-00328-HY
					RO10000-330..	0055647	GKT-0330-HY
					RO10000-370..	0055651	SEPG-0370-HY
					RO10000-68C.	0055309	SH-0068C-HY
					RO10000-68D.	0055311	SH-0068D-HY
					RO4000-44.....	0055187	SEPG-0044-HY
					RO6000-120....	0055245	GKT-00120-HY
					RO6000-131....	0055248	GKT-00131-HY
					RO6000-176....	0055261	WAS-00176-HY
					RO6000-177....	0055262	OSG-00177-HY
					W3.....	0055833	WAS-W3-HY
					W7-2.....	5700002	WAS-W72-HY
OTHER HYDROVANE PARTS							
0053.....	0055766	UVAL-0053-HY	50764	5700077	SPG-50764-HY		
.....	0055298	VS-5298-HY	51267	0055700	PLUG-52167-HY		
.....	0055645	ORV-5645-HY	52403	5700214	BUS-52403-HY		
0068.....	0056189	MPV-0068-HY	53434	5700645	SVAL-53434-HY		
0071.....	0055770	VS-0071-HY	53618	5700228	COOL-53618-HY		
0616.....	0057764	DPIN-0616-HY	56383	5700801	RGU-56383-HY		
1845.....	0056298	ORV-1845-HY	57302	5700766	VAL-57302-HY		
1845K.....		ORK-1-HY	57596	0057744	SEL-57596-HY		
1846.....	5701889	ORF-1846-HY	59847	5701644	SEL-59847-HY		
32153.....	5700805	TVAL-32153-HY	59941		PLG-59941-HY		
3306.....	0057714	TSW-3306-HY	70154	5702115	THR-70154-HY		
33077.....	5702264	PLG-33077-HY	70166	5700056	BDF-70166-HY		
3515C.....	0057777	THR-3515C-HY	70778	5702875	CPS-70778-HY		
3554.....	0057774	PLG-3554-HY	71180	5702860	CPL-71180-HY		
50105.....	5700047	PST-50105-HY	71241	5702480	PLUG-71241-HY		
					71574	5702458	SVAL-71574-HY
					71890		CPL-71890-HY
					8809	0056120	SEAL-8809-HY
					8810	0056246	SEAL-8810-HY
					MCE4-8	0055819	CC-MCE48-HY
					MN112.....	0056289	NUT-MN112-HY
					RO20000-226..	5700029	SEL-00226-HY
					RO20000-60 ...	0055333	SEAL-0060-HY
					RO6000-168		SEAL-0168-HY
					RO6000-330 ...	0055285	WAS-00330-HY
					W12-1	0055455	SR-121-HY
					W22-1	0058068	SEL-W221-HY
					W24-2	0055458	SR-242-HY
					W4-1	0055445	SR-W41-HY
					W8-1	0055453	SR-W81-HY

COMPAIR – BROOMWADE

Many Broomwade parts are available. Please call/fax/email for information

Full money back Guarantee if not satisfied

We sell only to resale accounts – We do not sell to the end user

Independent Components Corp. Is an independent supplier of compressor replacement parts and is not affiliated with manufacturers mentioned in this catalog. The original manufacturers product description and/or part number is given for reference only.



INDEPENDENT COMPONENTS CORP.

528 Hempstead Turnpike, West Hempstead, NY 11552 • Phone 516-481-5100 FAX 516-481-5550
www.iccparts.com sales@iccparts.com • Toll Free: Phone 877-ICC-ICC3 FAX 800-814-8883

CURTIS – Master Line

CURTIS PART NO.	I.C.C. PART NO.	CURTIS PART NO.	I.C.C. PART NO.	CURTIS PART NO.	I.C.C. PART NO.
VALVE GROUPS Curtis style Valve Replacement Groups usually including Valve, Unloader Assembly, hold-down Set					
Screws & Nuts					
FSK-D96LPDV		VGP-D96LD-CU		FSK-C89LPDV	VGP-C89LD-CU
FSK-D96LPSV		VGP-D96LS-CU		FSK-C89LPSV	VGP-C89LS-CU
FSK-D96HPDV		VGP-D96HD-CU		FSK-C89HPDV	VGP-C89HD-CU
FSK-D96HPSV		VGP-D96HS-CU		FSK-C89HPSV	VGP-C89HS-CU
FSK-D97LPDV		VGP-D97LD-CU		FSK-C98LPDV	VGP-C98LD-CU
FSK-D97LPSV		VGP-D97LS-CU		FSK-C98LPSV	VGP-C98LS-CU
FSK-D97HPDV		VGP-D97HD-CU		FSK-C98HPDV	VGP-C98HD-CU
FSK-D97HPSV		VGP-D97HS-CU		FSK-C98HPSV	VGP-C98HS-CU

VALVE ASSEMBLIES with SEAT GASKET

F-CM761(F-CM673)..	VAL-761-CU	F-CCA1272 (F-CC1280)	VAL-1272-CU	F-CM1024	VAL-1024-CU
F-CM762 (F-CM674)..	VAL-762-CU	F-CCA1273 (F-CC1282)	VAL-1273-CU	F-CM1041 (F-CJ1509) .	VAL-1041-CU
F-CMA607 (F-CDA1206)		F-CCA1275 (F-CC1283)	VAL-1275-CU	F-CM1050	VAL-1050-CU
F-CM675	VAL-607-CU	F-CCA1276 (F-CC1285)	VAL-1276-CU	F-VV1401	VAL-1401-CU
F-CMA608 (F-CM676)	VAL-608-CU	F-CDA1284	VAL-1284-CU	F-VV1403	VAL-1403-CU
F-CM887	VAL-887-CU				
F-CM888	VAL-888-CU	F-CDB1317	VAL-1317-CU	F-VV1404 (F-CDA1283)	VAL-1404-CU
F-CDA1204	VAL-1204-CU	F-CDB1318	VAL-1318-CU	F-VV1406	VAL-1406-CU
F-CDA1205	VAL-1205-CU	F-CDB1319	VAL-1319-CU		
F-CDA1208	VAL-1208-CU	F-CDB1320	VAL-1320-CU		
		F-CM1023	VAL-1023-CU		

VALVE SETS with SEAT GASKETS

For D93, C96 & D96..	VSET-C96-CU	For D97 (not 9734), F97, C9755 &Up	VSET-D97-CU	For C100, C150	VSET-C100-CU
For C89	VSET-C89-CU	VSET-D97-2-CU	For C200, C260	VSET-C200-CU
For C98	VSET-C98-CU	For D9734).....	VSET-E97-CU	For C300	VSET-C300-CU
For C98A	VSET-C98A-CU				

VALVE BUMPERS & Kits

F-CMA600	VB-600-CU	F-CC1209		F-CD1227	VB-1227-CU
F-CM633	KIT-633-CU	70A111131-31020	VB-1209-CU	F-CM1014	VB-1014-CU
F-CM637	VB-637-CU	F-CC1214		F-CM1034	VB-1034-CU
F-CMA642	VB-642-CU	70A111131-41020	VB-1214-CU	F-CJ1527	VB-1527-CU
F-CMA644	VB-644-CU	F-CC1218		F-CM887-11	VB-88711-CU
F-CM667	VB-667-CU	70A111131-32020	VB-1218-CU	F-CM888-2	VB-8882-CU
F-CM668	KIT-668-CU	F-CC1221.....	VB-1221-CU		
F-CM699	VB-699-CU	F-CD1222.....	VB-1222-CU		

VALVE SEATS, CAGES & STUDS

F-CC1212.....	VC-1212-CU	F-CC1213		F-CM888-4.....	VS-8884-CU
F-CD1228.....	VC-1228-CU	70A111131-41010.....	VS-1213-CU	F-CM628	SPAC-628-CU
F-CM632	VS-632-CU	F-CC1219.....	VS-1219-CU	F-CM642	STD-642-CU
F-CM634	VS-634-CU	F-CC1220.....	VS-1220-CU	F-CM671	STD-671-CU
F-CM636	VS-636-CU	F-CD1223.....	VS-1223-CU	F-CMA730.....	HOLD-730-CU
F-CM638	VS-638-CU				
F-CM697	VS-697-CU	F-CD1226.....	VS-1226-CU	F-CK1628.....	SCR-1628-CU
F-CM698	VS-698-CU	F-CM1013	VS-1013-CU	F-VH03CF (R335).....	SCR-03CF-CU
F-CC1210		F-CM1057 (F-CM1012)	VS-1057-CU	F-VH13JM.....	SCR-13JM-CU
70A111131-31010	VS-1210-CU	F-CJ1524 (F-CM1035) .	VS-1524-CU	F-VH14JM.....	SCR-14JM-CU
		F-CJ1528	VS-1528-CU	F-VH14EM (F-VH1707)	SCR-14EM-CU
		F-CM887-5.....	VS-8875-CU	F-CM887-12.....	VSCR-88712-CU

NOTE: FSCurtis has added an "F" in the beginning of all old MasterLine Part Numbers. Parts with and without the "F" are the same.

Please call for price and delivery of part numbers not listed

Independent Components Corp. is an independent supplier of compressor replacement parts and is not affiliated with manufacturers mentioned in this catalog. The original manufacturer's product description and/or part number is given for reference only.



INDEPENDENT COMPONENTS CORP.

528 Hempstead Turnpike, West Hempstead, NY 11552 • Phone 516-481-5100 FAX 516-481-5550
www.iccparts.com sales@iccparts.com • Toll Free: Phone 877-ICC-ICC3 FAX 800-814-8883

CURTIS – Master Line

CURTIS PART NO.	I.C.C. PART NO.	CURTIS PART NO.	I.C.C. PART NO.	CURTIS PART NO.	I.C.C. PART NO.
VALVE RINGS					
F-RL1844 (1R116).....	DISC-1-CU	F-CD1230	DISC-7-CU	F-CM1011	DISC-13-CU
F-CP620 (CT6X).....	DISC-2-CU	F-CM640	DISC-8-CU	F-CC1331.....	DISC-14-CU
F-CQ811.....	DISC-3-CU	F-CM641	DISC-9-CU	F-CJ1521	DISC-1521-CU
F-CX6R (40R213).....	DISC-4-CU	F-CR6P (1R116)	DISC-10-CU	F-VV1401-6 F-VV1403-6.	DISC-1401-CU
F-CQ814.....	DISC-5-CU	F-CJ1526.....	DISC-11-CU	F-VV1404-4 F-VV1406-4.	DISC-1404-CU
F-CC1211.....	DISC-6-CU	F-CM8877	DISC-12-CU	F-CM8878	PLT-13-CU
VALVE SPRINGS					
F-CA29915 (15R215)	SPG-1-CU	F-CA29928 (95R215) (CA29948)		F-VV1401-7	SPG-1401-CU
F-RL1843.....	SPG-2-CU	SPG-10-CU	F-VV1403-7.....	SPG-1403-CU
F-RL1217.....	SPG-3-CU	F-CM8879	SPG-11-CU	F-VV1404-5 (F-VV1406-5)	
F-CA29947	SPG-4-CU	F-CM8883	SPG-12-CU	SPG-1404-CU
F-CA29914	SPG-5-CU	F-CM1040	SPG-13-CU		
F-CA29945	SPG-6-CU	F-CC1339.....	SPG-14-CU	VALVE SPRING BUTTON	
F-CA29946	SPG-7-CU	F-CA299-37 (40R215) .	SPG-37-CU	F-CMA646.....	BU-646-CU
F-RL1239.....	SPG-8-CU	F-CMA647	SPG-647-CU		
F-CA29942 (4R217) ..	SPG-9-CU	F-CDA1226 (RL1217)	SPG-1226-CU		
		F-CDA1254 (RL1239)	SPG-1254-CU		
VALVE SEAT GASKETS					
F-CMA669	VSG-669-CU	F-VB915	VSG-915-CU	F-CDA1286	VSG-1286-CU
F-CM874.....	VSG-874-CU	F-VB916	VSG-916-CU	F-CDB1304	VSG-1304-CU
F-VB911	VSG-911-CU	F-VB918	VSG-918-CU	F-CDB1305	VSG-1305-CU
F-VB912	VSG-912-CU	F-VB919	VSG-919-CU	F-CC1332.....	VSG-1332-CU
F-VB913	VSG-913-CU	F-CM1015	VSG-1015-CU	F-CJ1518	VSG-1518-CU
F-VB914	VSG-914-CU	F-CDA1282	VSG-1282-CU	F-CJ1533	VSG-1533-CU
VALVE COVER GASKETS					
F-R560 (VB910, R648, R218)	VCG-560-CU	F-VB908	VCG-908-CU	F-CDB1216	VCG-1216-CU
F-CM656.....	VCG-656-CU	F-VB909 (95R218L) ..	VCG-909-CU	F-CC1325.....	VCG-1325-CU
F-CM657.....	VCG-657-CU	F-CM1022	VCG-1022-CU	F-CC1354.....	VCG-1354-CU
F-VB907	VCG-907-CU	F-CCC1205	VCG-1205-CU		
VALVE NUTS & COTTER PINS					
F-CD1229	PLUG-1229-CU	F-VH20J (F-VH1510)	LNUT-20J-CU	F-CM887-1	LNUT-8871-CU
F-CD1266 (F-CD129A) .	PLG-1266-CU	F-VH20L (F-VH18L) ..	LNUT-20L-CU	F-CM887-4	LNUT-8874-CU
F-VH1505	LNUT-1505-CU	F-VH23CF	CP-23CF-CU	F-CM887-6	LFT-8876-CU
F-VH20E (F-VH1506)	LNUT-20E-CU	F-VH32K.....	FW-7/16-CU	F-CM887-10	LFT-88710-CU
F-VH20G (F-VH1509)	LNUT-20G-CU	F-CM888-1	FW-8881-CU		
VALVE HOLDDOWNS & STUD NUTS					
F-CC1224 (F-CC1297) .	SCR-1224-CU	F-VH11HZ	SCR-VH11HZ-CU	F-VH1402 (F-VH09KN) .	SETS-1402-CU
F-CC1225	SCR-1225-CU	F-VH11TN	SCR-VH11TN-CU	F-VH1403 (F-VH09KP) .	SETS-1403 CU
F-RK206-3 (F-RK29E) ..	NUT-2063-CU	F-VH12PL.....	SCR-VH12PL-CU	F-VH1404 (F-VH09KR) .	SETS-1404-CU
F-VH09KK	SETS-09KK-CU	F-VH12PM (F-VRF81).....	SCR-12PM-CU	F-V0301.....	SG-301-CU
F-VH09PM.....	SETS-09PM-CU	F-VH1401 (F-VH09KM) .	SETS-1401-CU		

Please call for price and delivery of part numbers not listed

Full money back Guarantee if not satisfied

We sell only to resale accounts – We do not sell to the end user

Independent Components Corp. is an independent supplier of compressor replacement parts and is not affiliated with manufacturers mentioned in this catalog. The original manufacturer's product description and/or part number is given for reference only.



INDEPENDENT COMPONENTS CORP.

528 Hempstead Turnpike, West Hempstead, NY 11552 • Phone 516-481-5100 FAX 516-481-5550
www.iccparts.com sales@iccparts.com • Toll Free: Phone 877-ICC-ICC3 FAX 800-814-8883

CURTIS – Master Line

WHOLE MACHINE VALVE REPAIR KITS

Curtis style Whole Machine Valve Repair Kits have been assembled including Valve Springs, Discs, Seat Gaskets, Valve Cover Gaskets, Head Gaskets, Valve Locknuts and Washers.

For MODEL	CURTIS PART NO.	I.C.C. PART NO.
C4002 & Up	F-CO1862	VRK-1862-CU
C5003 & Up, D5043 & Up	F-CO1863	VRK-1863-CU
C8025A & Up, D8065 & Up, D80A67 & Up	F-CO1864	VRK-1864-CU
8901 - 8903, C9004 & Up, D9071 & Up	F-CO1865	VRK-1865-CU
C9303-C9306	F-CO1866	VRK-1866-CU
D9307 & Up	F-CO1867	VRK-1867-CU
C9695 & Up CSC, C9692 & Up ASSD	F-CO1868	VRK-1868-CU
9601 - C9694 CSC, 9601 - C9691 ASSD, D9601 & Up, D96A01 & Up	F-CO1869	VRK-1869-CU
C7901 & Up (not C7905)	F-CO1870	VRK-1870-CU
C9701A - C9726A, D9727A & Up (not D9734)	F-CO1871	VRK-1871-CU
C8901 & Up, E9736 & Up	F-CO1872	VRK-1872-CU
C9870 & Up	F-CO1873	VRK-1873-CU
C10010 & Up, C100S, C150H	F-CO1874	VRK-1874-CU
C200, C200S, C260, C260H	F-CO1875	VRK-1875-CU
C300, C300S, C300H	F-CO1876	VRK-1876-CU

CURTIS PART NO.	I.C.C. PART NO.	CURTIS PART NO.	I.C.C. PART NO.	CURTIS PART NO.	I.C.C. PART NO.
-----------------	-----------------	-----------------	-----------------	-----------------	-----------------

UNLOADER PARTS

F-299-48.....	UNSP-48-CU	F-CBB902.....	UPI-902-CU	F-CBB931.....	UNF-931-CU
F-CB6027.....	UNSP-6027-CU	F-CBB904.....	UNLA-904-CU	F-CBB932.....	UNF-932-CU
F-CB6138.....	LN-6138-CU	F-CBB905.....	UNLB-905-CU	F-CCA1205.....	UG-1205-CU
F-CB979.....	UPIN-979-CU	F-CBB904A.....	DISC-904-CU	F-CM887-2.....	UNF-8872-CU
F-CB981.....	UNF-981-CU	F-CBB906.....	UNSP-906-CU	F-CM887-3.....	UNSP-8873-CU
F-CB982.....	WAS-982-CU	F-CBB920.....	UNF-920-CU	F-CP6156.....	VCAP-6156-CU
F-CBA924.....	UCAP-924-CU	F-CBB921.....	UBA-921-CU	F-CP6167.....	DPH-1-CU
F-CBA926.....	UNSP-976-CU	F-CBB922.....	UBH-922-CU	F-CP6167-Silicone....	DPH-1S-CU
F-CBA959.....	UNLA-959-CU	F-CBB923.....	DISC-923-CU	F-VA729.....	TEE-729-CU
F-CBA960.....	UPI-960-CU	F-CBB925.....	UCYL-925-CU	F-VB23BD.....	CP-23BD-CU
F-CBA961.....	UCYL-961-CU	F-CBB926.....	UNLA-926-CU	F-VH1809.....	RET-1809-CU
F-CBA972.....	UPI-972-CU	F-CBB928.....	UNF-928-CU	F-VH25CB.....	RP-25CB-CU
F-CBB900.....	UNLA-900-CU	F-CBB929.....	UPIN-929-CU		
F-CBB901.....	UCYL-901-CU	F-CBB930.....	PLUG-930-CU		

MISC PARTS

F-VH03CE.....	SCR-03CE-CU	F-VH1706.....	SCR-1706-CU
F-VH1470.....	SCR-1470-CU	F-VH01CC.....	SCR-VH01CC-CU

Please call for price and delivery of part numbers not listed

Remember! You risk nothing to check the quality of our products

Full money back Guarantee if not satisfied

We sell only to resale accounts – We do not sell to the end user

Independent Components Corp. is an independent supplier of compressor replacement parts and is not affiliated with manufacturers mentioned in this catalog. The original manufacturer's product description and/or part number is given for reference only.



INDEPENDENT COMPONENTS CORP.

528 Hempstead Turnpike, West Hempstead, NY 11552 • Phone 516-481-5100 FAX 516-481-5550
www.iccparts.com sales@iccparts.com • Toll Free: Phone 877-ICC-ICC3 FAX 800-814-8883

CURTIS – Master Line

TUNE UP KITS

To simplify ordering parts for single machine repair, TUK's have been assembled which include Gasket Kit, Shim Set (if used) Piston Ring Kit, Insert Bearings (unless noted), valve parts (Discs, Springs, Gaskets, Washers & Lock Nuts) Oil Seal, Air Filter Elements, and Unloader Diaphragms or O-Rings if required, to recondition one compressor.

VALVE SET TUNE UP KITS VSTUK's with Complete Replacement Valves.

VSTUK's have been assembled which include all parts in TUK's, with Complete Replacement Valves instead of Wearing Valve Parts. Your cost can be calculated by adding the EXTRA VSTUK \$ to the TUK cost in the table below. Order by starting the part number with VSTUK instead of TUK.

UNDERSIZE BEARING KITS

If you want any of the kits assembled with Undersize Bearings, insert the letter "U" before the "CU" in the TUK part number for .020 Undersize Bearings.

For MODEL	I.C.C. PART NO.	VSTUK	.020 Undersize Brgs
C79	TUK-C79-CU	N/A	U
C80 no CRB's	TUK-C80-CU	N/A	N/A
D80 & D80A	TUK-D80-CU	N/A	U
C8901 - C8909	TUK-C89-CU	VSTUK-C89-CU	U
8901-03 & C9044 & Up	TUK-C90-CU	N/A	U
D90	TUK-D90-CU	N/A	U
C93	TUK-C93-CU	N/A	U
D93	TUK-D93-CU	VSTUK-D93-CU	U
C9663-89 & 9601-19	TUK-C96-1-CU	VSTUK-C96-1-CU	N/A
C9637-62 & 9620-36	TUK-C96-2-CU	VSTUK-C96-2-CU	N/A
C9690-91 & C9693-94	TUK-C96-3-CU	VSTUK-C96-3-CU	U
C9692 & C9695	TUK-C96-4-CU	N/A	U
D9601 & Up	TUK-D96-CU	VSTUK-D96-CU	U
H96	TUK-H96-CU	VSTUK-H96-CU	U
C9776-84, 86,87,C9725A & Up	TUK-C97-1-CU	VSTUK-C97-1-CU	N/A
C9788-99,75,85, C9701A - C9724A	TUK-C97-2-CU	VSTUK-C97-2-CU	N/A
D9727A & Up except D9734 & F97	TUK-D97-1-CU	VSTUK-D97-1-CU	U
D9734	TUK-D97-2-CU	VSTUK-D97-2-CU	U
E9736 & Up	TUK-E97-CU	VSTUK-E97-CU	U
C9801 – C9869	TUK-C98-1-CU	VSTUK-C98-CU	U
C9870 & Up or with new valves	TUK-C98-2-CU	VSTUK-C98-CU	U
C98 either of above	TUK-C98-CU	VSTUK-C98-CU	U
C98A	TUK-C98A-CU	VSTUK-C98A-CU	U

Kits may be available for other similar compressors. please call for details.

Please call for price and delivery of part numbers not listed

Remember! You risk nothing to check the quality of our products

Full money back Guarantee if not satisfied

We sell only to resale accounts – We do not sell to the end user

Prices subject to change without notice

Independent Components Corp. Is an independent supplier of compressor replacement parts and is not affiliated with manufacturers mentioned in this catalog. The original manufacturers product description and/or part number is given for reference only.



INDEPENDENT COMPONENTS CORP.

528 Hempstead Turnpike, West Hempstead, NY 11552 • Phone 516-481-5100 FAX 516-481-5550
www.iccparts.com sales@iccparts.com • Toll Free: Phone 877-ICC-ICC3 FAX 800-814-8883

CURTIS – Master Line

HEAD OVERHAUL KITS HOK's with Wearing Valve Parts.

To simplify ordering parts for single machine valve and cylinder head repair, HEAD OVERHAUL KITS have been assembled with all necessary Valve Discs, Valve Springs, Valve Seat Gaskets, Valve Cover Gaskets, Head Gaskets and Air Filter Elements to recondition valves for one compressor.

VALVE SET HEAD OVERHAUL KITS VSHOK's with Complete Replacement Valves.

VSHOK's have been assembled which include all parts in HOK's, with Complete Replacement Valves instead of Wearing Valve Parts.

For MODEL	I.C.C. PART NO.	VSHOK
C1502 & Up	HOK-C15-CU	N/A
C4002 & Up	HOK-C40-CU	N/A
C5003 & Up C8801 & Up D5003 & Up	HOK-D50-CU	N/A
C79	HOK-C79-CU	N/A
C80	HOK-C80-CU	N/A
C89	HOK-C89-CU	VSHOK-C89-CU
D80	HOK-D80-CU	N/A
C90 & D90	HOK-C90-CU	N/A
C93	HOK-C93-CU	N/A
D93 & D93A	HOK-D93-CU	VSHOK-D93-CU
C96 (not C9692 & C9695)	HOK-C96-1-CU	VSHOK-C96-1-CU
C9692 & C9695	HOK-C96-4-CU	N/A
D96 & D96A	HOK-D96-CU	VSHOK-D96-CU
H96	HOK-H96-CU	VSHOK-H96-CU
C97	HOK-C97-CU	VSHOK-C97-CU
D97 (not D9734) & F97	HOK-D97-1-CU	VSHOK-D97-1-CU
D9734	HOK-D97-2-CU	VSHOK-D97-2-CU
E9736 & Up	HOK-E97-CU	VSHOK-E97-CU
C98 9801 – C9869	HOK-C98-1-CU	VSHOK-C98-CU
C98 C9870 & Up or with new valves	HOK-C98-2-CU	VSHOK-C98-CU
C98 either of the above	HOK-C98-CU	VSHOK-C98-CU
C98A	HOK-C98A-CU	VSHOK-C98A-CU
C10001-C10009	HOK-C100-1-CU	VSHOK-C100-CU
C10010 & Up, C100S	HOK-C100-2-CU	VSHOK-C100-CU
C150H	HOK-C150-CU	VSHOK-C150-CU
C200, C200S, C260, C260H	HOK-C200-CU	VSHOK-C200-CU
C300	HOK-C300-CU	VSHOK-C300-CU

Kits may be available for other similar compressors. Please call for details.

LOWER END REBUILD KITS

Curtis style Valve Lower End Rebuild Kits have been assembled including Gasket Set, Oil Seal, Shim Set, Piston Pin Bushings, Ring Sets, and Connecting Rod Bearings.

For MODEL	CURTIS PART NO	ICC PART NUMBER
D8065 & Up, D80A67 & Up	F-CO1904	KIT-1904-CU
8901 - 8903, C9004 & Up, D9071 & Up	F-CO1905	KIT-1905-CU
C9303-C9306	F-CO1906	KIT-1906-CU
D9307 & Up	F-CO1907	KIT-1907-CU
D93A01 & Up	F-CO1910	KIT-1910-CU
D9601 & Up	F-CO1914	KIT-1914-CU
D96A01 & Up	F-CO1915	KIT-1915-CU
H96	F-CO1916	KIT-1916-CU
C7901 & Up	F-CO1917	KIT-1917-CU
D9727A& Up	F-CO1920	KIT-1920-CU
E9736 & Up	F-CO1921	KIT-1921-CU
F9701 & Up	F-CO1922	KIT-1922-CU
C8901 & Up	FSK-C89LERK (F-CO1923)	KIT-1923-CU
C9801& Up	F-CO1924	KIT-1924-CU

Independent Components Corp. Is an independent supplier of compressor replacement parts and is not affiliated with manufacturers mentioned in this catalog. The original manufacturers product description and/or part number is given for reference only.



INDEPENDENT COMPONENTS CORP.

528 Hempstead Turnpike, West Hempstead, NY 11552 • Phone 516-481-5100 FAX 516-481-5550
www.iccparts.com sales@iccparts.com • Toll Free: Phone 877-ICC-ICC3 FAX 800-814-8883

CURTIS – Master Line

CURTIS PART NO.	I.C.C. PART NO.	CURTIS PART NO.	I.C.C. PART NO.	CURTIS PART NO.	I.C.C. PART NO.
-----------------	-----------------	-----------------	-----------------	-----------------	-----------------

MAIN BEARINGS (ROLLER BEARINGS)

F-VD806	RB-806-CU-CU	F-VD816 (VRD491)...	RB-816-CU-CU	F-VD826 (R638).....	RB-826-CO-CU
F-VD807	RB-807-CO-CU	F-VD817 (VRD489)...	RB-817-CO-CU	F-VD827 (R639).....	RB-827-CO-CU
F-VD808	RB-808-CU-CU	F-VD818 (1R5A).....	RB-818-CU-CU	F-VD828 (R641).....	RB-828-CU-CU
F-VD809	RB-809-CO-CU	F-VD819 (1R5).....	RB-819-CO-CU	F-VD829 (40R163)....	RB-829-CO-CU
F-VD810	RB-810-CU-CU	F-VD820 (1R163).....	RB-820-CO-CU	F-VD830 (40R163A) .	RB-830-CU-CU
F-VD811	RB-811-CO-CU	F-VD821 (1R163A)....	RB-821-CU-CU	F-VD831 (80R163)....	RB-831-CO-CU
F-VD812	RB-812-CU-CU	F-VD822 (R577).....	RB-822-CU-CU	F-VD832 (80R163A) .	RB-832-CU-CU
F-VD813	RB-813-CO-CU	F-VD823 (R578).....	RB-823-CO-CU	F-VD850	MBK-850-CU
F-VD814 (R623).....	RB-814-CU-CU	F-VD824 (R579).....	RB-824-CU-CU	F-VD851	MBK-851-CU
F-VD815 (R622).....	RB-815-CO-CU	F-VD825 (R580).....	RB-825-CO-CU		

PISTON RING KITS

F-CR244	RK-244-CU	F-CM1033	RK-1033-CU	F-CD1288.....	RK-1288-CU
F-CMA630	RK-630-CU	F-CCA1216	RK-1216-CU	F-CC1356.....	RK-1356-CU
F-CMA631	RK-631-CU	F-CCA1217	RK-1217-CU	F-CC1357.....	RK-1357-CU
F-CQ868.....	RK-868-CU	F-CCA1218	RK-1218-CU	F-CJA1523	RK-1523-CU
F-CQ869.....	RK-869-CU	F-CDA1258 (F-CM791)	RK-1258-CU		
F-CQ870.....	RK-870-CU	F-CD1287	RK-1287-CU		

CONNECTING ROD BEARINGS (priced by the pair for One Connecting Rod)

Standard Size		.020 Undersize	
F-CC1307	CRB-1307-CU	CRB-1307U-CU
F-CDA1244.....	CRB-1244-CU	CRB-1244U-CU
F-CM606.....	CRB-606-CU	CRB-606U-CU
F-RL1831.....	CRB-1831-CU	CRB-1831U-CU

PISTON PIN BUSHINGS (Bearing Bronze or Needle Bearing)

F-CQ883R (F-CCA1207)		F-CDA1259 (F-CD1234)		F-CM666 (Kit).....	BUS-666-CU
F-CC1231	BUS-883-CU	BUS-1259-CU	F-VD840	NB-840-CU
F-CDA1247.....	BUS-1247-CU	F-CMA638 (Pair)	BUS-638-CU	F-VD841	BUS-841-CU

PISTON PIN

F-CDA1236.....	PIN-1236-CU	F-CC1308.....	PIN-1308-CU	F-CM644	PIN-644-CU
F-CDA1240.....	PIN-1240-CU	F-CDB1314	PIN-1314-CU	F-CM1004	PIN-1004-CU
F-CDA1256.....	PIN-1256-CU	F-CDB1315	PIN-1315-CU	PISTON ROLL PIN	
F-CDA1257.....	PIN-1257-CU	F-CDB1335	PIN-1335-CU	F-VH25FD (F-VH1310).	RP-25FD-CU
F-CCA1296.....	PIN-1296-CU	F-CDB1336	PIN-1336-CU	F-VH1312.....	RP-1312-CU
F-CCA1297.....	PIN-1297-CU	F-CM643	PIN-643-CU		

GASKET KITS

F-CK1625	GK-D50-CU	F-CCC1351	GK-D93A-CU	FSK-C98GK (F-CM670)	GK-C98-CU
FSK-C79GK (F-CC1355)	GK-C79-CU	F-CCB1264 (F-CC1274)	GK-C96-CU	F-CDB1327	GK-C98A-CU
F-CQ9AU.....	GK-C80-CU	F-FSK-D96GK (F-CCB1285)		F-CMA741 (C100 & C150H)	
F-CQA208	GK-D80-CU	GK-D96-CU	GK-C100-CU
F-CCC1321	GK-D80A-CU	F-CCC1324	GK-D96A-CU	F-CMA742	GK-C100S-CU
FSK-C89GK (F-CM1045)	GK-C89-CU	F-CCC1254	GK-H96-CU	F-CMA817	GK-C200-CU
F-CQ805.....	GK-C90-CU	F-CD1249	GK-C97-CU	F-CM965	GK-C300-CU
F-CJ1556.....	GK-C93-CU	FSK-D97AGK (F-CD1249)	GK-D97-CU		
F-CJA1514	GK-D93-CU	F-CM1045	GK-E97-CU		

SHIM SETS

F-CQ9AW.....	SS-9-CU	F-CC1358.....	SS-1358-CU	F-RL1828	SS-1828-CU
F-CMA602 (98R150).	SS-602-CU	F-CD1290.....	SS-1290-CU		

We sell only to resale accounts – We do not sell to the end user



INDEPENDENT COMPONENTS CORP.

528 Hempstead Turnpike, West Hempstead, NY 11552 • Phone 516-481-5100 FAX 516-481-5550
www.iccparts.com sales@iccparts.com • Toll Free: Phone 877-ICC-ICC3 FAX 800-814-8883

CURTIS –Master Line

CURTIS PART NO.	I.C.C. PART NO.	CURTIS PART NO.	I.C.C. PART NO.	CURTIS PART NO.	I.C.C. PART NO.
INDIVIDUAL GASKETS					
F-CA2312	CPL-2312-CU	F-CM735	FL-735-CU	F-RL1826	REC-1826-CU
F-CAX2194	OPF-219-CU	F-CM875	HG-875-CU	F-RL1829	FEC-1829-CU
F-CC1313	HG-1313-CU	F-CM885	GKT-885-CU	F-RL1830	CB-1830-CU
F-CC1315	CB-1315-CU	F-CM886	REC-886-CU	F-U32 (F-VH1225).....	CW-32-CU
F-CC1232	HG-1232-CU	F-CM889	UC-889-CU	F-VA208A	OLS-208A-CU
F-CCB1228	CB-1228-CU	F-CM890	OFH-890-CU	F-VB403	ORG-403-CU
F-CCB1240	SC-1240-CU	F-CM893	BPC-893-CU	F-VB404	ORG-404-CU
F-CCB1241	SC-1241-CU	F-CM894	BPG-894-CU	F-VB405	ORG-405-CU
F-CCB1249	FEC-1249-CU	F-CM895	SG-895-CU	F-VB406 (R546).....	ORG-406-CU
F-CCC1260	HG-1260-CU	F-CM916	SD-916-CU	F-VB407	ORG-407-CU
F-CD1239A (F-CD1239)	SC-1239-CU	F-CM941	FG-941-CU	F-VB408	ORG-408-CU
F-CD12082	HG-1208-CU	F-CM943	FEC-943-CU	F-VB409	ORG-409-CU
F-CDA1225	IC-1225-CU	F-CM982	RG-982-CU	F-VB410	ORG-410-CU
F-CJ1513	HG-1513-CU	F-CM1030	HG-1030-CU	F-VB411	ORG-411-CU
F-CJ4121	CB-412-CU	F-CM1031	CB-1031-CU	F-VB416	ORG-416-CU
F-CJ4122	REC-4122-CU	F-CMA620	SC-620-CU	F-VB904	CW-904-CU
F-CJ4124	FEC-4124-CU	F-CO1825	VPC-1825-CU	F-VB905	CW-905-CU
F-CK1619	VPC-1619-CU	F-CO1826	HG-1826-CU	F-VB906	CW-906-CU
F-CM659	IC-659-CU	F-CQ2041	HG-2041-CU	F-VH1223	CW-1223-CU
F-CM728	SD-728-CU	F-CQ2043	CB-204-CU	F-VH1224 (R635).....	CW-1224-CU
F-CM730	HG-730-CU	F-CQ2044	SC-204-CU	F-VH1231	AW-1231-CU
F-CM660	HG-660-CU	F-CQ822	HG-822-CU	F-VH1232	AW-1232-CU
F-CM665	BCO-665-CU	F-CQ823	VPC-823-CU	(from shim set)	FEC-602-CU
F-CM729	CB-729-CU	F-CR2012	REC-201-CU	(from shim set)	FEC-9-1-CU
F-CM731	FEC-731-CU	F-CX2162	CB-216-CU		
F-CM732	REC-732-CU	F-CX2163	REC-216-CU		
F-CM733	IC-733-CU	F-R635 (F-VRD298)..	CW-635-CU		
F-CM734	FL-734-CU	F-RJ1506	HG-1506-CU		
OIL SEALS					
F-VB301	OS-301-CU	F-VB308	OS-308-CU	F-R886 (VB309).....	OS-886-CU
F-VB305	OS-305-CU	F-VB310	OS-310-CU		
F-VB307	OS-307-CU	F-VB312	OS-312-CU		
SAFETY VALVES					
F-VV405	ISV-70-CU	F-VV406	SV-406-CU		
ELECTRONIC DRAIN VALVE					
F-VA579	EDV-579-CU	F-V536-1	EDV-5361-CU		
ROTARY SCREW AND VANE COMPRESSOR PARTS					
See complete listing in ROTARY SCREW COMPRESSOR PARTS section					
AIR-OIL SEPARATORS & INLINE FILTERS					
See complete listing in FILTERS AIR-OIL SEPARATORS section.					
AIR FILTERS OIL FILTERS and AIR FILTER ASSEMBLIES					
See complete listing in COMPRESSOR OILS INLINE FILTERS section.					



INDEPENDENT COMPONENTS CORP.

528 Hempstead Turnpike, West Hempstead, NY 11552 • Phone 516-481-5100 FAX 516-481-5550
www.iccparts.com sales@iccparts.com • Toll Free: Phone 877-ICC-ICC3 FAX 800-814-8883

CURTIS –Master Line

This page intentionally left blank



INDEPENDENT COMPONENTS CORP.

528 Hempstead Turnpike, West Hempstead, NY 11552 • Phone 516-481-5100 FAX 516-481-5550
www.iccparts.com sales@iccparts.com • Toll Free: Phone 877-ICC-ICC3 FAX 800-814-8883

CURTIS - Challenge Air - Fusheng

CURTIS PART NO.	I.C.C. PART NO.	CURTIS PART NO.	I.C.C. PART NO.
Valve Assemblies			
70123-31000 (70123-31001) 2601310630 .	VAL-2331-CU	70173-32000 (2601311230)	VAL-7332-CU
70123-41000 (70123-41001) 2601320070 .	VAL-2341-CU	70175-32000 (2601311650)	VAL-7532 CU
		70175-42000 (2601320460)	VAL-7542-CU
70124-31000 (70124-31001) 2601310880 .	VAL-2431-CU		
70124-41000 (70124-41001) 2601320190 .	VAL-2441-CU	70153-31001 (2601310420) F-CCC1785 ...	VPA-5331-CU
		CF1292	VPA-5331G-CU
70125-31000 (70125-31001) 2601311120 .	VAL-2531-CU		
70125-41001 (70125-41000) 2601320311 .	VAL-2541-CU		
Valve Sets (All valves for one machine)			
Model E50	VSET-E50-CU	Model E15.....	VSET-E15-CU
Model E71	VSET-E71-CU		
Valve Seat Gaskets			
70123-11110 (2601024400)		70125-11110 (2601027620) (E15 LP)	VSG-2511-CU
(E50 LP, E50 HP, E71 HP) .	VSG-2311-CU		
70124-11110 (2601026190)			
(E71 LP , E15 HP)..	VSG-2411-CU		
Valve Unloader Piston			
70123-11220 2601024450	UPL-2311-CU	70125-11220 2601027660.....	UPS-2511-CU
70124-11220 2601026230	UPS-2411-CU		
Valve Retainers			
70123-11150 (2601024420).....	RET-23111-CU	70125-11150 (70125-11151) 2601027641 .	RET-25111-CU
70123-11450 (2601024510).....	RET-23114-CU	70125-11450 (70125-11451) 2601027691 .	RET-25114-CU
70124-11150 (2601026210).....	RET-24111-CU	70175-12150 (2601031330)	RET-75121-CU
70124-11450 (2601026250).....	RET-24114-CU	70175-12450 (2601031350)	RET-75124-CU
Heads			
70123-11610 (E50 LP & HP) .	HEAD-2311-CU	71025-11010 (E15 LP).	HEAD-2511-CU
70124-11010 (2601026100) (E71 LP) .	HEAD-2411 CU	71075-12010 (E15 HP)	HEAD-7512-CU
70174-12010 (2601029991) (E71 HP)..	HEAD-7412-CU		
Piston Ring Sets			
CF1262 (ES30) .	RK-1262-CU	FSK-E71-RK (E71 HP&LP).	RK-E71-CU
CF1264 (ES100) .	RK-ES100-CU	CF1272 (E71 LP)	RK-E71L-CU
CF1265 (ES150) .	RK-ES150-CU	CF1273 (E71 HP)	RK-E71H-CU
CF1270 (E50 LP) .	RK-E50L-CU	FSK-E15RK (E15 HP&LP)	RK-E15-CU
CF1271 (E50 HP) .	RK-E50H-CU	CF1274 (E15 LP)	RK-E15L-CU
		CF1275 (E15 HP)	RK-E15H-CU
FSK-E57RK (E57 HP&LP) .	RK-E57-CU		
CF1288 (E57 LP) .	RK-E57L-CU		
CF1289 (E57 HP)..	RK-E57H-CU		

Filters 70153-66142 2601540300 [ELE-66142-CU] Rectangular Air filters & Gasket 70153-66132 2601540330 [AFG-5366-CU] are in stock. Many other Filters are in stock – See Filter section





INDEPENDENT COMPONENTS CORP.

528 Hempstead Turnpike, West Hempstead, NY 11552 • Phone 516-481-5100 FAX 516-481-5550
www.iccparts.com sales@iccparts.com • Toll Free: Phone 877-ICC-ICC3 FAX 800-814-8883

CURTIS - Challenge Air - Fusheng

CURTIS PART NO.	I.C.C. PART NO.	CURTIS PART NO.	I.C.C. PART NO.
--------------------	--------------------	--------------------	--------------------

Valve Set Tune Up Kits with Complete Replacement Valves. To simplify ordering parts for single machine repair, VSTUK's have been assembled which include Gasket Kit, Piston Ring Kit, insert bearings, valve assemblies, oil seal and air filter element for one compressor.

For E15 Old style HP D Valve	VSTUK-E15-1-CU	For E15.....	VSTUK-E15-CU
For E15 New style HP D Valve.....	VSTUK-E15-2-CU	For ES30	VSTUK-ES30CU
For E50	VSTUK-E50-CU	For ES50	VSTUK-ES50-CU
For E57	VSTUK-E57-CU	For ES100	VSTUK-ES100-CU
For E71	VSTUK-E71-CU	For ES150	VSTUK-ES150-CU

Valve Set Head Overhaul Kits with Complete Replacement Valves. To simplify ordering parts for single machine valve and cylinder head repair, Valve Set Head Overhaul Kits have been assembled with all valve assemblies, valve seat gaskets, head gasket, o-rings and air filter element to recondition valves for one compressor.

For E15 Old style HP D Valve	VSHOK-E15-1-CU	For E15.....	VSHOK-E15-CU
For E15 New style HP D Valve.....	VSHOK-E15-2-CU	For ES30	VSHOK-ES30CU
For E50	VSHOK-E50-CU	For ES50	VSHOK-ES50-CU
For E57	VSHOK-E57-CU	For ES100	VSHOK-ES100-CU
For E71	VSHOK-E71-CU	For ES150	VSHOK-ES150-CU

Curtis Style Rebuild Kits.

CF1254	For E50.	KIT-1254-CU	CF1258	For E15..	KIT-1258-CU
FSK-E71LERK (CF1256)	For E71..	KIT-1256-CU	FSK-E57LERK (CF1293)	For E57 .	KIT-1293-CU

Connecting Rods (Complete)

70123-61200 (70124-61201) 2601027000	(E50 LP) .	ROD-2361-CU	70174-62202 (2601030131)	(E71 HP) .	ROD-7462-CU
70173-62200	(E50 HP) ..	ROD-7362-CU	70125-61200 (2601027860)	(E15 LP) .	ROD-2561-CU
70124-61201 (2601027000)	(E71 LP) ..	ROD-2461-CU	70175-62201 (2601031491)	(E15 HP) .	ROD-7562-CU

Insert Bearings Halves (Price is for ONE PAIR)

70123-61090 (2601025040)	(E50) .	INS-E50PR-CU	70125-61090 (2601027780)	(E15) .	INS-E15PR-CU
70124-61090 (2601026900)	(E71) .	INS-E71PR-CU	70153-61090 (2601023400)	(E57) .	INS-E57PR-CU

Needle Bearings and Bushings

93503-NK28/30 (2110090016).....	NB-2830-CU	70124-61080 (2501020130).....	BUS-2461-CU
70123-61081 (2601025030).....	BUS-2361-CU	70124-62080 (70124-62081)	BUS-7462-CU
70125-62081 (2501020290).....	BUS-2561-CU	70173-62080 (93503-TA1725).....	NB-7362-CU
70175-62080	BUS-7562-CU	2110090026 (93503-RNA6903R).....	NB-0026-CU

Pistons (Piston Pins listed below)

70123-61011 (70123-61010)	(E50 LP) ..	PT-2361-CU	70125-61011 (70125-61010)		
70173-62011 (70173-62010)	(E50 HP) ..	PT-7362-CU	2601030980	(E15 LP) .	PT-2561-CU
70124-61011 (70123-61010)			70175-62011 (70175-62010)		
2601026820	(E71 LP) .	PT-2461-CU	2601031441	(E15 HP) ..	PT-7562-CU
70174-62011 (70174-62010)	(E71 HP) ..	PT-7462-CU			

Piston Pins

70123-61120 (2601025140)	(E50 LP) ..	PIN-2361-CU	70174-62120 (2601030120)	(E71 HP) .	PIN-7462-CU
70173-62120 (2601028650)	(E50 HP) .	PIN-7362-CU	70125-61120 (2601027850)	(E15 LP) .	PIN-2561-CU
70124-61120 (2601026990)	(E71 LP) ..	PIN-2461-CU	70175-62121 (2601031481)	(E15 HP) .	PIN-7562-CU

Piston Lock Rings

70123-60170 (2601025010)	(E50) .	LR-2361-CU	70125-60170 (2601027750)	(E50) .	LR-2561-CU
70124-60170 (2601026880)	(E50) .	LR-2461-CU			

Pistons Complete (includes Piston, Piston Pin and Lock Ring)

(E50 LP)	PST-2361-CU	(E71 HP).....	PST-7462-CU
(E50 HP).....	PST-7362-CU	(E15 LP).....	PST-2561-CU
(E71 LP)	PST-2461-CU	(E15 HP).....	PST-7562-CU

Please call for price and delivery of part numbers not listed



INDEPENDENT COMPONENTS CORP.

528 Hempstead Turnpike, West Hempstead, NY 11552 • Phone 516-481-5100 FAX 516-481-5550
www.iccparts.com sales@iccparts.com • Toll Free: Phone 877-ICC-ICC3 FAX 800-814-8883

CURTIS - Challenge Air - Fusheng

CURTIS PART NO.	I.C.C. PART NO.	CURTIS PART NO.	I.C.C. PART NO.
Intercooler Tubes			
70135-87101 (70175-87400)	IT-E15-1-CU	70133-87100	IT-E50-2-CU
70135-87201 (70135-87300)	IT-E15-2-CU	70174-87100	IT-E71-1-CU
70133-87100	IT-E50-1-CU	70174-87300 (2601492030)	IT-E71-2-CU
Main Bearings			
93501-62060 93501-6206 2110020104 (E57).....	BB-E57-CU	93502-32210 (2110060021) (E71 & E15 OFW)	BB-0232-CU
93501-63060 2110020104 (E50).....	BB-0163-CU	93502-30310 (2110060070) (E15 FW)	BB-0230-CU
Cylinders			
70123-51012 (2601024531) (E50 LP) 80mm	CYL-2351-CU	71074-52010 (70174-52011) 2601030021 (E71 HP) 80mm	CYL-7452-CU
70173-52010 (E50 HP) 65mm	CYL-7352-CU	71025-51010 (70125-51011) (E15 LP) 120mm	CYL-2551-CU
70124-51011 2601026261 (E71 LP) 100mm	CYL-2451-CU	70175-52010 (2601031360) (E15 HP) 100mm	CYL-7552-CU
Crankshafts			
70133-56011 (70133-56010) (E50)..	CKS-3356-CU	70135-56011 (70135-56030) 2601030722 2601031380 (E15)	CKS-3556-CU
70134-56010 (2601030040) (E71)..	CKS-3456-CU		
Crankshaft Key			
70123-56061 (2601024660) (E50)..	WDRF-2356-CU	70134-56060 (2601029650) (E71 & E15)	WDRF-3456-CU
Crankcase Breathers			
70103-57600-4024 (CCC1375) (2601024180) (E50).	BRE-0357-CU	70124-57600-4010 (CC1258) 2601026671 (E71 & E15 & E57).	BRE-1258-CU
Other Hardware			
70123-87010 (2601490581).....	ELB-2387-CU	790112-100404	PLUG-71210-CU
70124-87010 (2601490971).....	ELB-2487-CU	70162-12450 (2601025831)	RET-6212-CU
70124-76310 (2601232610).....	FAN-2476-CU	70173-87010	TEE-7387-CU
70135-76310 (2601234880).....	FAN-3576-CU	70175-87030	TEE-7587-CU
90112-100303 (2601023080).....	PLUG-1210-CU	2102010195	SCR-0195-CU
70123-57190 (90112-100404) 212020061 .	PLUG-2357-CU	2102040137	WAS-0137-CU
		2601030290	OSD-0290-CU

Please call for price and delivery of part numbers not listed

Remember! You risk nothing to check the quality of our products

Full money back Guarantee if not satisfied

We sell only to resale accounts – We do not sell to the end user

Prices subject to change without notice

Independent Components Corp. Is an independent supplier of compressor replacement parts and is not affiliated with manufacturers mentioned in this catalog. The original manufacturers product description and/or part number is given for reference only.



INDEPENDENT COMPONENTS CORP.

528 Hempstead Turnpike, West Hempstead, NY 11552 • Phone 516-481-5100 FAX 516-481-5550
www.iccparts.com sales@iccparts.com • Toll Free: Phone 877-ICC-ICC3 FAX 800-814-8883

CURTIS - Challenge Air - Fusheng

CURTIS PART NO.	I.C.C. PART NO.	CURTIS PART NO.	I.C.C. PART NO.
Oil Seals			
70123-57080 2601024870 (E50 & E57)..	OS-2357-CU	70134-57080 (2601029860) (E71 & E15).	OS-3457-CU
Sight Glass and Sight Glass Seal			
70124-57700 2601026780 (E71 Oval).	SG-2457-CU	70111-57700 (2601020740) (E50,E57 Round)	SG-1157-CU
70124-57730 2601026770 (E71 Oval).	SGS-2457-CU	70111-57730 (2601020770) (E50,E57 Round)	SGS-1157-CU
Gasket Sets with Oil Seal			
FSK-E15BGK (FSK-E15CGK)		CF1279.....	GK-ES30-CU
F-CF1287 (F-CF1313).....	GK-E15-CU	CF1280.....	GK-ES50-CU
CF1285 (2601694340).....	GK-E50-CU	CF1281.....	GK-ES100-CU
FSK-E57GK (CF1290) 2601694360.....	GK-E57-CU	CF1282.....	GK-ES150-CU
FSK-E71GK (CF1286) 2601694350.....	GK-E71-CU	CF1311.....	GK-ES150A-CU
CF1313 (CF1287).....	GK-E15-CU		
Gaskets			
70112-11612 (2601021381).....	HG-1211-CU	70124-11020 (70124-11612).....	HGL-2411-CU
70153-66132 (2601540330).....	AFG-5366-CU	70125-11610 (70125-11612).....	HGL-2511-CU
70123-51610 (2601024570).....	CB-2351-CU	70135-11612 (70135-11610) 2601030530 .	HGL-3511-CU
70124-51030 (70124-51610) 2601026310..	CB-2451-CU	70153-71620 (70153-71622) 2601510220 .	ICG-5371-CU
70135-51030 (70135-51610) 2601030630..	CB-3551-CU		
70153-51610 (70153-51611) 2601023130..	CB-5351-CU	70153-11640 (70153-11641) 2601023030 .	LCG-5311-CU
92521-191200.....	CW-2191-2-CU	70125-87510 (2601491240).....	MC-2587-CU
92521-191000 (2102040074).....	CW-2521-CU	7013-57960.....	RBC-0133-CU
70123-57950 (2601024750).....	FCG-2357-CU	70123-57960-01.....	RCG-2357-1-CU
70124-57040 (70124-57950) 2601026520..	FCG-2457-CU	70133-57960 (2601029810).....	RCG-3357-CU
70135-57040.....	FCG-3557-CU	70134-57070.....	RCG-3457-CU
70135-57950 (2601030820).....	FEC-3557-CU	70153-57960 (70153-57961) 2601023330 .	REC-5357-CU
70153-57950 (70153-57951) 2601023270..	FEC-5357-CU	70153-11630 (70153-11631) 2601023030 .	UCG-5311-CU
70153-71181 (70153-71611 2601510190...)	GKT-5371-CU	70153-11620 (11622) 2601310510.....	VPC-5311-CU
70123-11020 (2601026130)		70153-11610 (70153-11612) 2601022880 .	VPH-5311-CU
(2601024331 (70123-11612) -11610...)	HGH-2311-CU	70153-31120 (2601310500).....	VPP-5331-CU
70124-11610.....	HGH-2411-CU	70112-31020 (2601310170).....	VRC-1231-CU
O-Rings			
93601-810004.....	ORG-1104-CU	93601-870022.....	ORG-1722-CU
93601-810016 (2111010012) 2111010004.	ORG-1116-CU	93602-810020.....	ORG-2120-CU
93601-810018 (2111010013).....	ORG-1118-CU	93602-810040 (2111010221).....	ORG-2140-CU
93601-810020.....	ORG-1120-CU	93602-810055 (2111010224).....	ORG-2155-CU
93601-810021 (2111010105) 2111010014.	ORG-1121-CU	93602-810065 (2111010227).....	ORG-2165-CU
93601-810022A (2111010108).....	ORG-0181-CU	93602-870020.....	ORG-2720-CU
93601-870009 (2111010092).....	ORG-1709-CU	93602-870040 (2111010263).....	ORG-2740-CU
93601-870015 (2111010101).....	ORG-1715-CU	93602-870055 (2111010267).....	ORG-2755-CU
93601-870020 (2111010104).....	ORG-1720-CU	93602-870065 (2111010270).....	ORG-2765-CU
93601-870021 (2111010105).....	ORG-1721-CU		

Please call for price and delivery of part numbers not listed

Remember! You risk nothing to check the quality of our products

Full money back Guarantee if not satisfied

Independent Components Corp. Is an independent supplier of compressor replacement parts and is not affiliated with manufacturers mentioned in this catalog. The original manufacturers product description and/or part number is given for reference only.



INDEPENDENT COMPONENTS CORP.

528 Hempstead Turnpike, West Hempstead, NY 11552 • Phone 516-481-5100 FAX 516-481-5550
www.iccparts.com sales@iccparts.com • Toll Free: Phone 877-ICC-ICC3 FAX 800-814-8883

CURTIS Index by OEM Number



INDEPENDENT COMPONENTS CORP.

528 Hempstead Turnpike, West Hempstead, NY 11552 • Phone 516-481-5100 FAX 516-481-5550
www.iccparts.com sales@iccparts.com • Toll Free: Phone 877-ICC-ICC3 FAX 800-814-8883

CAMPBELL – HAUSFELD (SPEEDAIRE, SEARS, WARDS) Single Stage - 1 or 2 Cylinder - 1 to 3 HP

CaH PART NO.	I.C.C. PART NO.	CaH PART NO.	I.C.C. PART NO.
TUNE UP KITS for VT COMPRESSORS		HEAD OVERHAUL KITS for VT COMPRESSORS	
To simplify ordering parts for single machine repair, TUNE UP KITS have been assembled which include the Valve Repair Kit, Piston Ring Kit, gaskets, oil seal, and filter element to recondition one Campbell Hausfeld Compressor.		To simplify ordering parts for single machine repair, HEAD OVERHAUL KITS have been assembled which include the Valve Repair Kit, head gaskets and filter element to recondition one Campbell Hausfeld Compressor.	
VT- 2-3/4" Bore, <u>1</u> or <u>2</u> Piece Head	TUK-VT-12-CaH	VT- <u>1</u> or <u>2</u> Piece Head	HOK-VT-12-CaH
VT- 3" Bore, <u>1</u> or <u>2</u> Piece Head	TUK-VT-34-CaH	VT- 1 Piece Head	HOK-VT-1-CaH
VT- 2-3/4" Bore, 1 Piece Head	TUK-VT-1-CaH	VT- 2 Piece Head	HOK-VT-2-CaH
VT- 2-3/4" Bore, 2 Piece Head	TUK-VT-2-CaH	VT- Alum Valve Plate Assy.	VSHOK-VT-A-CaH
VT- 3" Bore, 1 Piece Head.....	TUK-VT-3-CaH		
VT- 3" Bore, 2 Piece Head.....	TUK-VT-4-CaH		
VT with Aluminum Valve Plate Assy.	VSTUK-VT-A-CaH		
		VALVE REPAIR KITS for VT & VS COMPRESSORS	
		To simplify ordering parts for single machine repair, VALVE REPAIR KITS have been assembled which include the Valve Fingers, Restrictors, and Screws to recondition one NON-ALUMINUM VPA Campbell Hausfeld Compressor.	
		VT210300AJ for VT	VRK-VT-CaH
		VS204900AJ for VS	VRK-VS-CaH

CaH PART NO.	I.C.C. PART NO.	CaH PART NO.	I.C.C. PART NO.
RING KITS FOR VT & VS COMPRESSORS		VS & VT VALVE FINGERS & SCREWS (Single Parts)	
VT210400AJ for VT 2-3/4" Bore	RK-2104-CaH	VS001800AV Thin Flapper.....	FIN-0-CaH
VT500800AJ for VT 3" Bore	RK-5008-CaH	VS001801AV Thick Flapper.....	FIN-1-CaH
VS205100AJ for VS 2-3/4" Bore	RK-2051 CaH	VT021500AV Restrictor	FIN-5-CaH
GASKET KITS FOR VT COMPRESSORS		ST073231AV Screw	SCR-1-CaH
VT210200AJ for all VT Compressors	GK-VT-CaH	ST073261AV Screw	SCR-2-CaH
VT470900AJ for Alum. VPA VT's	GK-4709-CAH	VS & VT VALVE FINGERS & SCREWS (Bags of 25)	
VALVE PLATE ASSEMBLY FOR Alum VPA VT's		VS001800AV Thin Flapper.....	FIN-0-25-CaH
VT470800AJ	VPA-4708-CAH	VS001801AV Thick Flapper.....	FIN-1-25-CaH
INDIVIDUAL GASKETS and FILTERS for VS & VT COMPRESSORS		VT021500AV Restrictor	FIN-5-25-CaH
XA003200AV	BCG-32-CaH	ST073231AV Screw	SCR-1-25-CaH
XA003300AV (XA003400AV)	HG-33-CaH	PARTS FOR ALUM VPA STYLE VT COMPRESSORS	
XA003500AV	HG-35-CaH	ST120000AV	OS-1200-CaH
XA005700AV (XA005800AV)	HG-57-CaH	ST129700AV	OS-1297-CaH
XA008800AV	CB-88-CaH	ST157900AV	ORG-1579-CaH
XA009500AV	CPL-95-CaH	TQ901000AJ	GK-VT761-CaH
XA007100AV	HPG-71-CaH	XA010200AV	CB-102-CaH
XA007200AV	HPG-72-CaH	XA011100AV	CB-111-CaH
ST031700AV	ORG-317-CaH	XA011900AV	HG-119-CaH
VT013005AV VT- 1 piece head Filter .	ELE-1-CaH	PARTS FOR ALUM VPA STYLE VS COMPRESSORS	
VT000800AV VT- 2 piece head Filter .	PAD-8-CaH	VT042500AV	PAD-0425-CAH
OIL SEAL FOR VS & VT COMPRESSORS		ST076838AV	SCR-76838-CAH
ST021600AV	OS-216-CaH		

We sell only to resale accounts – We do not sell to the end user
Prices subject to change without notice

Independent Components Corp. is an independent supplier of compressor replacement parts and is not affiliated with manufacturers mentioned in this catalog. The original manufacturer's product description and/or part number is given for reference only.



INDEPENDENT COMPONENTS CORP.

528 Hempstead Turnpike, West Hempstead, NY 11552 • Phone 516-481-5100 FAX 516-481-5550
www.iccparts.com sales@iccparts.com • Toll Free: Phone 877-ICC-ICC3 FAX 800-814-8883

CAMPBELL – HAUSFELD (SPEEDAIRE, SEARS, WARDS) Two Stage - 2 or 4 Piston - 5 to 15 HP

TUNE UP KITS TUK's with REED PLATE To simplify ordering parts for single machine repair, TUNE UP KITS have been assembled which include reed plate, Gasket Kit (including oil seal), Piston Ring Kit, and filter element to recondition one *Old Style* Campbell Hausfeld Compressor.

VALVE SET TUNE UP KITS VSTUK's with VALVE PLATE ASSEMBLY Include all parts in TUNE UP KITS, with the entire VALVE PLATE ASSEMBLY, instead of only the REED PLATE.

ALUMINUM VALVE PLATE ASSEMBLY MODELS – (CI05, CI07, CI10, CI15K) Note: We only sell Valve Set kits since Complete Valve Plate Assemblies are available, but not component parts. Only Current style Valve Plate Assemblies using a gasket made of O-ring material between the Assembly and the Head are available. If the compressor had the old style using a fiber gasket, the Head must also be replaced.

MODEL	TUK	VSTUK
TF (One Headed <i>Old Style</i> Compressor).....	TUK-TF21N-CaH	VSTUK-TF21-CaH
TK (Two Headed <i>Old Style</i> Compressor)	TUK-TK21N-CaH	VSTUK-TK21-CaH
CI05 (One Headed <i>New Style</i> Compressor w/head)		VSTUK-CI05-CaH
CI05 (One Headed <i>New Style</i> Compressor w/out head)		VSTUK-CI05NH-CaH
CI07 (One Headed <i>New Style</i> Compressor w/head)		VSTUK-CI07-CaH
CI07 (One Headed <i>New Style</i> Compressor w/out head)		VSTUK-CI07NH-CaH
CI10 (Two Headed <i>New Style</i> Compressor w/head)		VSTUK-CI10-CaH
CI10 (Two Headed <i>New Style</i> Compressor w/out head)		VSTUK-CI10NH-CaH
CI15K (Two Headed <i>New Style</i> Compressor w/head)		VSTUK-CI15K-CaH
CI15K (Two Headed <i>New Style</i> Compressor w/out head).....		VSTUK-CI15KNH-CaH

HEAD OVERHAUL KITS HOK's with REED PLATE To simplify ordering parts for single machine repair, HEAD OVERHAUL KITS have been assembled which include reed plate, all Gaskets above the cylinder, and filter element to recondition one *Old Style* Campbell Hausfeld Compressor.

VALVE SET HEAD OVERHAUL KITS VSHOK's with VALVE PLATE ASSEMBLY Include all parts in HEAD OVERHAUL KITS, with the entire VALVE PLATE ASSEMBLY, instead of only the REED PLATE.

ALUMINUM VALVE PLATE ASSEMBLY MODELS – (CI05, CI07, CI10, CI15K) See note above

MODEL	HOK	VSHOK
TF (One Headed Compressor)	HOK-TF21N-CaH.....	VSHOK-TF21-CaH
TK (Two Headed Compressor).....	HOK-TK21N-CaH	VSHOK-TK21-CaH
CI05 (One Headed <i>New Style</i> Compressor w/head)		VSHOK-CI05-CaH
CI05 (One Headed <i>New Style</i> Compressor w/out head)		VSHOK-CI05NH-CaH
CI07 (One Headed <i>New Style</i> Compressor w/head)		VSHOK-CI07-CaH
CI07 (One Headed <i>New Style</i> Compressor w/out head)		VSHOK-CI07NH-CaH
CI10 (Two Headed <i>New Style</i> Compressor w/head)		VSHOK-CI10-CaH
CI10 (Two Headed <i>New Style</i> Compressor w/out head)		VSHOK-CI10NH-CaH
CI15K (Two Headed <i>New Style</i> Compressor w/head)		VSHOK-CI15K-CaH
CI15K (Two Headed <i>New Style</i> Compressor w/out head).....		VSHOK-CI15KNH-CaH

CaH PART NO.	I.C.C. PART NO.	CaH PART NO.	I.C.C. PART NO.
VALVE PLATE ASSEMBLY (Steel Plates & Reed Gasket)		PISTON RING KIT	
TF002200AJ (Without gaskets)	VP-22-CaH	TF006900AJ	RK-69-CaH
TF007000AJ (With gaskets)	VP-70-CaH	OIL SEAL	
VALVE PLATES (Steel Plates)		ST066900AV	OS-669-CaH
TF046000AV (Upper Plate)	VP-460-CaH	MAIN BEARINGS – NEEDLE BEARINGS	
TF046100AV (Lower Plate)	VP-461-CaH	ST066200AV	RB-662-CU-CaH
REED PLATE (For Steel Valve Plates) Non-Asbestos		ST067000AV	RB-670-CO-CaH
TF022200AV	RP-222-CaH	ST051100AV	NB-511-CaH
ROLL PINS (For Steel Valve Plates)		CV003205AV	VCVP-3205-CAH
ST070044AV	RPN-44-CaH	GASKET KITS	
VALVE PLATE ASSEMBLY <i>New Style</i> (Models CI05, CI07, CI10, CI15K Cast Aluminum Plates)		TF007100AJ for old TF	GK-71-CaH
TF066300AJ (Without HEAD).....	VPA-0663-CaH	TX002000AJ for old TK	GK-20-CaH
TF067300AJ (With HEAD).....	VPA-0673-CaH	TF061600AJ for old CI05 & CI10(2)	GK-616-CaH
TF067200AJ HEAD	HEAD-672-CaH	TF061600AJ for old or new CI05 & CI10(2)	GK-616A-CaH
		TF061600AJ for new CI05 & CI10(2).....	GK-616N-CaH



INDEPENDENT COMPONENTS CORP.

528 Hempstead Turnpike, West Hempstead, NY 11552 • Phone 516-481-5100 FAX 516-481-5550
www.iccparts.com sales@iccparts.com • Toll Free: Phone 877-ICC-ICC3 FAX 800-814-8883

CAMPBELL – HAUSFELD CI25, TQ, TR, TW & TY Model (15-30 HP) 3 Round Heads with Reed Valves

TUNE UP KITS TUK's with REED PLATE To simplify ordering parts for single machine repair, TUNE UP KITS have been assembled which include reed plate, Gasket Kit (including oil seal), Piston Ring Kit, and filter element to recondition one Campbell Hausfeld Compressor.

VALVE SET TUNE UP KITS VSTUK's with Steel VALVE PLATE ASSEMBLY Include all parts in TUNE UP KITS, with the entire VALVE PLATE ASSEMBLY, instead of only the REED PLATE.

MODEL	TUK	VS- Kits
CI25 TR TW with standard Connecting Rod Bearings	TUK-TW-CaH	VSTUK-TW-CaH
CI25 TR TW with .010 Undersize Connecting Rod Bearings	TUK-TW-U-CaH	VSTUK-TW-U-CaH
TY with standard Connecting Rod Bearings	TUK-TY-CaH	VSTUK-TY-CaH
TY with .010 Undersize Connecting Rod Bearings	TUK-TY-U-CaH.	VSTUK-TY-U-CaH

HEAD OVERHAUL KITS with REED PLATE To simplify ordering parts for single machine repair, HEAD OVERHAUL KITS have been assembled which include reed plates with necessary gaskets, and filter element to recondition one Campbell Hausfeld Compressor.

VALVE SET HEAD OVERHAUL KITS VSHOK's with VALVE PLATE ASSEMBLY Include all parts in HEAD OVERHAUL KITS, with the entire VALVE PLATE ASSEMBLY, instead of only the REED PLATE.

for all 3 Head compressors **HOK-TW-CaH ...** **VSHOK-TW-CaH**

CaH PART NO.	I.C.C. PART NO.	CaH PART NO.	I.C.C. PART NO.
VALVE PLATE ASSEMBLY (Steel Plates & Reed Gasket)		UNLOADER REPAIR KIT & PARTS	
High Pressure	VP-1015-CaH	ST095300AG	UKIT-1-CaH
Low Pressure	VP-1016-CaH	TW004700AV	BEL-1-CaH
VALVE PLATES (Steel Plates)		ST020200AV	ORG-202-CaH
(Upper Plate)	VP-62-CaH	ST056700AV	ORG-567-CaH
(Lower Plate)	VP-63-CaH	TW006600AV	SPG-66-CaH
(Upper Plate)	VP-68-CaH	CONNECTING ROD BEARING HALVES	
(Lower Plate)	VP-69-CaH	TW005700AV	CRB-57-CaH
REED PLATE		TW005700AV .010 Undersize	CRB-57U-CaH
TW002800AV (LP)	RP-28-CaH	TY003000AV	CRB-30-CaH
TW002900AV (HP)	RP-29-CaH	TY003000AV.010 Undersize	CRB-30U-CaH
REED GASKET KIT (Reed Plate and Gasket above & below Valve Plates)		OIL SEAL	
SK101800AJ (LP)	RGK-1018-CaH	ST094100AV	OS-941-CaH
SK101900AJ (HP)	RGK-1019-CaH	ST094200AV	OS-942-CaH
ROLL PINS (For Steel Valve Plates)		OTHER PARTS	
ST070049AV	RPN-49-CaH	ST129200AV	BB-1292-CaH
PISTON RING KIT		CV201400AJ	CKV-2014-CaH
SK101700AJ (whole machine)	RK-1017-CaH	ST094300AV	PIN-TW-HP-CaH
SK102100AJ (LP)	RK-1021-CaH	ST094300AV	PIN-TW-LP-CaH
SK102000AJ (HP)	RK-1020-CaH	ST094300AV	RB-943-CU-CaH
GASKET KITS		ST094400AV	RB-944-CO-CaH
SK100800AJ	GK-TW-CaH	V202500AV	SV-2052-CaH
		V205000AV	SV-2500-CaH
		V208900AV	SV-8900-CaH
		CE000200AV	EDV-0200-CAH

Please call for price and delivery of part numbers not listed

Full money back Guarantee if not satisfied

Independent Components Corp. is an independent supplier of compressor replacement parts and is not affiliated with manufacturers mentioned in this catalog. The original manufacturer's product description and/or part number is given for reference only



INDEPENDENT COMPONENTS CORP.

528 Hempstead Turnpike, West Hempstead, NY 11552 • Phone 516-481-5100 FAX 516-481-5550
www.iccparts.com sales@iccparts.com • Toll Free: Phone 877-ICC-ICC3 FAX 800-814-8883

CAMPBELL – HAUSFELD

CaH PART NO.	I.C.C. PART NO.	CaH PART NO.	I.C.C. PART NO.
INDIVIDUAL TK, TF, CI5-CI15K GASKETS		INDIVIDUAL CI25, TQ, TR,TW, TY GASKETS	
ST066100AV	BW-661-CaH	XA007900AV	CB-79-CaH
ST070176AV	ORG-176-CaH	XA008000AV	VPCL-80-CaH
ST070186AV	ORG-0186-CaH	XA008100AV	VPCH-81-CaH
ST070925AV	BW-709-CaH	XA008200AV	VPHL-82-CaH
ST164402AV	ORG-1644-CaH	XA008300AV	VPHH-83-CaH
ST164408AV	ORG-4408-CaH	XA007801AV	EC-7801-CaH
XA006200AV	CB-62-CaH	XA007802AV	EC-7802-CaH
XA006102AV	EC-61-015-CaH	XA008400AV	IC-84-CaH
XA626103AV	EC-61-020-CaH	XA008500AV	IC-85-CaH
XA006300AV	VC-63-CaH	XA008600AV	IC-86-CaH
XA006400AV	VH-64-CaH	XA008700AV	OP-87-CaH
TF060300AV	VH-603-CaH	XA009100AV	UC-91-CaH
TF067000AV	VC-670-CaH		
TF061300AV	VC-613-CaH		
TF066800AV	VH-668-CaH		
TF202400AV	OFG-2024-CaH		
TQ011200AV	VPH-112-CAH		

Other Campbell – Hausfeld Parts

C-RING for SEP 5016 CAH (IS5016000AJ)

IS006000AV..... NL **ORG 6000 CaH**

ROTARY SCREW AND VANE COMPRESSOR PARTS

See complete listing in *ROTARY SCREW COMPRESSOR PARTS* section

AIR-OIL SEPARATORS

See complete listing in *FILTERS AIR-OIL SEPARATORS* section.

AIR FILTERS OIL FILTERS and AIR FILTER ASSEMBLIES

See complete listing in *FILTERS AIR-OIL SEPARATORS* section.

INLINE FILTERS

See complete listing in *COMPRESSOR OILS INLINE FILTERS* section.

Prices subject to change without notice

Please call for price and delivery of part numbers not listed

Remember! You risk nothing to check the quality of our products

Full money back Guarantee if not satisfied

Independent Components Corp. is an independent supplier of compressor replacement parts and is not affiliated with manufacturers mentioned in this catalog. The original manufacturer's product description and/or part number is given for reference only



INDEPENDENT COMPONENTS CORP.

528 Hempstead Turnpike, West Hempstead, NY 11552 • Phone 516-481-5100 FAX 516-481-5550
 www.iccparts.com sales@iccparts.com • Toll Free: Phone 877-ICC-ICC3 FAX 800-814-8883

DE VILBISS

TUNE UP KITS **TUK's** with **Wearing Valve Parts**

To simplify ordering parts for single machine repair, **TUK's** have been assembled which include Gasket Kit, Piston Ring Kit, intake filter element (listed below), insert bearings, oil seal valve discs & springs, to recondition one compressor. Valve Guides are not included in our **TUK's**, and are no longer included in DeVilbiss **VRK's** or **OK's**. Please note that a more complete filter selection can be found in the AIR & OIL FILTER Section.

VALVE SET TUNE UP KITS **VSTUK's** with **Complete Replacement Valves**.

VSTUK's have been assembled which include all parts in **TUK's**, with Complete Replacement Valves instead of Wearing Valve Parts. Order by starting the part number with **VSTUK** instead of **TUK**. **NOTE:** DeVilbiss has changed the seats in the 445 450 5 and 445 421 7 valves from Brass to Steel. Our standard kits use valves like DeVilbiss sells. If you want Brass Seats, put the letter "R" before the DE in the kit part number. The price is the same.

UNDERSIZE BEARING KITS If you want any of the kits assembled with Undersize Bearings, insert the letter "U" before the "DE" in the TUK part number for .010 Undersize Bearings, or insert the letter "W" before the "DE" for .020 Undersize Bearings.

MODEL (Air Filter Included)	STANDARD SIZE BEARINGS I.C.C. PART NO.	UNDERSIZE BEARINGS		VSTUK
		.010 Undersize	.020 Undersize	
DEV-20 (DeVilbiss OK-20 kit).....	Rods do not use Inserts		VSTUK-20-DE
DEV-30 (DeVilbiss OK-30 kit).....	Rods do not use Inserts		VSTUK-30-DE
DEV-40 (DeVilbiss OK-40 kit).....	Rods do not use Inserts		VSTUK-40-DE
DEV-55 (DeVilbiss OK-55 kit).....	Rods do not use Inserts		VSTUK-55-DE
DEV-100 (DeVilbiss OK-100 kit).....	Rods do not use Inserts		VSTUK-100-DE
120 (PAD 1 DE) with old & new RK	TUK-120-DE	Rods do not use Inserts		VSTUK-120-DE
1202 (PAD 1 DE) with old & new RK	TUK-1202-DE	Rods do not use Inserts		VSTUK-1202-DE
130 (PAD 2 DE).....	TUK-130-DE	Rods do not use Inserts		N/A
220 (ELE 447 DE) with old & new RK	TUK-220-DE	Rods do not use Inserts		VSTUK-220-DE
247 (ELE 447 DE)	TUK-247-DE	U	W	VSTUK-247-DE R
432 (ELE 432N DE).....	TUK-432-DE	U	W	VSTUK-432-DE
445 (ELE 445N DE).....	TUK-445-DE	U	W	VSTUK-445-DE R
44642 (ELE 447 DE)	TUK-44642-DE	U		VSTUK-44642-DE R
44643 (ELE 447 DE)	TUK-44643-DE	U	W	VSTUK-44643-DE
447 (ELE 447 DE)	TUK-447-DE	U	W	VSTUK-447-DE R

Note "R" **VSTUK's** have Brass (not steel) Valve Seats

TUNE UP KITS **TUK's** and VALVE SET TUNE UP KITS **VSTUK's** with **.010 OVERSIZE Ring Kits**

MODEL	STANDARD SIZE BEARINGS I.C.C. PART NO.	UNDERSIZE BEARINGS		VSTUK
		.010 Undersize	.020 Undersize	
247 with .010 Oversize Rings.....	TUK-247-B-DE			VSTUK-247-B-DE
445 with .010 Oversize Rings.....	TUK-445-B-DE	U	W	VSTUK-445-B-DE
44643 with .010 Oversize Rings.....	TUK-44643-B-DE			VSTUK-44643-B-DE
447 with .010 Oversize Rings.....	TUK-447-B-DE			VSTUK-447-B-DE

Kits may be available for other similar compressors. Please call for details.

DE VILBISS PART NO.	I.C.C. PART NO.	DE VILBISS PART NO.	I.C.C. PART NO.	DE VILBISS PART NO.	I.C.C. PART NO.
VALVE ASSEMBLIES					
120-417-2	VAL-1S-DE	445-421-7 w/ Steel Seats	VAL-3S-DE	445-405-1.....	VAL-4D-DE
120-4405	VAL-1D-DE	445-420-5 w/ Steel Seats	VAL-3D-DE	123-417	VAL-5S-DE
432-421-7	VAL-2S-DE	445-421-7 w/ Brass Seats	VAL-3S-R-DE	123-405.....	VAL-5D-DE
432-420-5	VAL-2D-DE	445-420-5 w/ Brass Seats	VAL-3D-R-DE	VRK-40	VPA-40-DE
		445-417-1.....	VAL-4S-DE	VRK-55	VSET-55-DE
				PB-21124011	VAL-4011-DE
VALVE SEATS & GUARDS					
NA	VS-1S-DE	NA	VS-2-DE	NA	VS-4-DE
NA	VS-1D-DE	432-94	VG-2-DE	445-29-1.....	VG-4-DE
120-94-1	VG-1S-DE	NA Steel.....	VS-3-DE		
120-29-1	VG-1D-DE	NA Brass.....	VS-3R-DE		
		445-94	VG-3-DE		

Independent Components Corp. Is an independent supplier of compressor replacement parts and is not affiliated with manufacturers mentioned in this catalog. The original manufacturers product description and/or part number is given for reference only.



INDEPENDENT COMPONENTS CORP.

528 Hempstead Turnpike, West Hempstead, NY 11552 • Phone 516-481-5100 FAX 516-481-5550
www.iccparts.com sales@iccparts.com • Toll Free: Phone 877-ICC-ICC3 FAX 800-814-8883

DE VILBISS

HEAD OVERHAUL KITS HOK's with Wearing Valve Parts

To simplify ordering parts for single machine valve and cylinder head repair, HEAD OVERHAUL KITS have been assembled with, intake filter element (listed below), all necessary O-rings, valve discs, valve springs, valve gaskets, and head gaskets to recondition valves for one compressor. Valve Guides are not included in our HOK's, and are no longer included in DeVilbiss VRK's. Please note that a more complete filter selection can be found in the AIR & OIL FILTER Section.

VALVE SET HEAD OVERHAUL KITS VSHOK's with Complete Replacement Valves.

VSHOK's have been assembled which include all parts in HOK's, with Complete Replacement Valves instead of Wearing Valve Parts. **Note:** Please read Valve Seat note under VSTUK heading above.

MODEL (Air Filter Included)	I.C.C. PART NO. HOK	I.C.C. PART NO. VSHOK
120 (PAD 1 DE).....	HOK-120-DE.....	VSHOK-120-DE
1202 (PAD 1 DE).....	HOK-1202-DE.....	VSHOK-1202-DE
130 (PAD 2 DE).....	HOK-130-DE.....	N/A
220 (ELE 447 DE).....	HOK-220-DE.....	VSHOK-220-DE
230 (PAD 3 DE).....	HOK-230-DE.....	N/A
240 (ELE 447 DE).....	HOK-240-DE.....	VSHOK-240-DE
247 (ELE 447 DE).....	HOK-247-DE.....	VSHOK-247-DE VSHOK-247-R-DE
432 (ELE 452N DE).....	HOK-432-DE.....	VSHOK-432-DE
440 (ELE 432N DE).....	HOK-440-DE.....	VSHOK-440-DE
445 (ELE 445N DE).....	HOK-445-DE.....	VSHOK-445-DE VSHOK-445-R-DE
44642 (ELE 447 DE).....	HOK-44642-DE.....	VSHOK-44642-DE VSHOK-44642-R-DE
44643 (ELE 447 DE).....	HOK-44643-DE.....	VSHOK-44643-DE
447 (ELE 447 DE).....	HOK-447-DE.....	VSHOK-447-DE VSHOK-447-R-DE

Note "R" VSHOK's have Brass (not steel) Valve Seats

Kits may be available for other similar compressors. Please call for details.

DE VILBISS PART NO.	I.C.C. PART NO.	DE VILBISS PART NO.	I.C.C. PART NO.
---------------------	-----------------	---------------------	-----------------

VALVE SETS (VALVE KITS) *De Vilbiss style* Valve Kits have been assembled which include Replacement Valves and Valve Gaskets. . **NOTE:** DeVilbiss has changed the seats in the 445 450 5 and 445 421 7 valves from Brass to Steel. Our standard kits use valves like DeVilbiss sells. If you want Brass Seats, put the letter "R" before the DE in the kit part number. The price is the same.

VK-120.....	VSET-120-DE
VK-123.....	VSET-123-DE
VK-120 (2 Sets).....	VSET-220-DE
VK-123 (2 Sets).....	VSET-223-DE
.....	VSET-247-DE
.....	VSET-247-R-DE
for 440 & 432.....	VSET-432-DE
for 440 & 432.....	VSET-432-R-DE
.....	VSET-440-DE
.....	VSET-440-R-DE
.....	VSET-445-DE
.....	VSET-445-R-DE
for 44642 & 240.....	VSET-44642-DE
for 44642 & 240.....	VSET-44642-R-DE
.....	VSET-44643-DE
.....	VSET-44643-R-DE
.....	VSET-447-DE
.....	VSET-447-R-DE

VALVE REPAIR KITS *De Vilbiss style* Valve Repair Kits have been assembled which include Valve Discs and Springs, Valve Guides, Valve Gaskets, and Jam & Cap Nuts.

VRK-247.....	VRK-247-DE
VRK-247 (2 sets).....	VRK-447-DE
VRK-330.....	VRK-330-DE
VRK-642 for 44642 & 240.....	VRK-642-DE
VRK-642 (2 sets) for 432 & 440.....	VRK-432-DE
VRK-643.....	VRK-643-DE
VRK-643 (2 sets).....	VRK-445-DE

OVERHAUL KITS *De Vilbiss style* Overhaul Kits have been assembled which include a full Gasket Set, Piston Ring Kit, Valve Kit or Valve Repair Kit, Insert Bearings (where required) and Oil Seal. Please order the proper Air Filter Element from the FILTER section of the ICC Catalog.

OK-120.....	OK-120-DE
OK-220.....	OK-220-DE
OK-247.....	OK-247-DE
OK-432.....	OK-432-DE
OK-445.....	OK-445-DE
OK-642.....	OK-44642-DE
OK-643.....	OK-44643-DE
OK-447.....	OK-447-DE

Note "R" VSETS have Brass (not steel) Valve Seats

Full money back Guarantee if not satisfied

We sell only to resale accounts – We do not sell to the end user



INDEPENDENT COMPONENTS CORP.

528 Hempstead Turnpike, West Hempstead, NY 11552 • Phone 516-481-5100 FAX 516-481-5550
www.iccparts.com sales@iccparts.com • Toll Free: Phone 877-ICC-ICC3 FAX 800-814-8883

DE VILBISS

DE VILBISS PART NO.	I.C.C. PART NO.	DE VILBISS PART NO.	I.C.C. PART NO.
VALVE PLATE ASSEMBLYS		VALVE COVER GASKETS	
.....	VPA-55H-DE	225-28.....	VCG-130-DE
.....	VPA-55L-DE	120-28.....	VCG-330-DE
VALVE DISCS		342-128.....	VCG-432-DE
220-225.....	DISC-1-DE	445-128.....	VCG-445-DE
220-25.....	DISC-2-DE	SS-2525.....	VCG-2525-DE
225-25-1.....	DISC-3-DE	PB-21157006.....	VCG-7006-DE
235-25.....	DISC-4-DE	PB-11122004.....	VSG-2004-DE
VALVE SPRINGS		VALVE & HOLDDOWN HARDWARE	
225-36.....	SPG-1-DE	SS-10135 (SS-10134).....	SCR-135-DE
120-36.....	SPG-2-DE	SS-9785.....	SCR-1D-DE
445-236.....	SPG-3-DE	SS-6044.....	SETS-6044-DE
432-236.....	SPG-4-DE	SS-6045.....	SETS-6045-DE
445-36.....	SPG-5-DE	SS-7424.....	CN-7424-DE
342-36.....	SPG-6-DE	SS-7980.....	NUT-1S-DE
235-36.....	SPG-7-DE	445-360.....	NUT-360-DE
CONNECTING ROD BEARING †		445-361.....	NUT-361-DE
432-474 (sold in pairs).....	INS-432-DE	OIL SEALS	
445-474 (sold in pairs).....	INS-445-DE	23174-306.....	OS-120-DE
CONNECTING ROD BEARING .010 Undersize†		130-111.....	OS-130-DE
432-474-010 (sold in pairs).....	INS-432U-DE	220-111.....	OS-220-DE
445-474-010 (sold in pairs).....	INS-445U-DE	342-111.....	OS-432-DE
CONNECTING ROD BEARING .020 Undersize†		445-111.....	OS-445-DE
432-474-020 (sold in pairs).....	INS-432-U20-DE	PB-21161002.....	OS-1002-DE
445-474-020 (sold in pairs).....	INS-445-U20-DE	PB-21161004.....	OS-1004-DE
† Price is for Two Halves for One Connecting Rod.		PB-21161005.....	OS-1005-DE
PISTON RING KITS		PB-21161006.....	OS-1006-DE
RK-40.....	RK-40-DE	ELECTRONIC DRAIN VALVES with strainer	
RK-55.....	RK-55-DE	KK-9840.....	EDV-9840-DE
RK-55H.....	RK-55H-DE	KK9805 (45875-308).....	RK-44643-DE
RK-55L.....	RK-55H-DE	KK9824 (45875-307) (2 sets).....	RK-432-DE
RK-100.....	RK-100-DE	KK9805 (2 sets).....	RK-445-DE
KK-4313.....	RK-4313-DE	KK9807 (45875-428).....	RK-44643-10-DE
45875 301 old piston – scraper oil.....	RK-120-DE	KK9807 (2 sets).....	RK-445-10-DE
KK9833 new piston – 3 pc. steel oil.....	RK-120N-DE	SAFETY VALVES	
for either old or new style piston.....	RK-120A-DE	TIA-4125.....	SV-4125-DE
45875-302.....	RK-130-DE	TIA-5050.....	SV-5050-DE
45875-301 old piston (2 sets).....	RK-220-DE	TIA-5070.....	SV-5070-DE
KK9833 new piston (2 sets).....	RK-220N-DE	TIA-5075.....	SV-5075-DE
for either old or new style piston.....	RK-220A-DE	TIA-5080.....	SV-5080-DE
45875-302 (2 sets).....	RK-230-DE	TIA-5090.....	SV-5090-DE
45875-305.....	RK-330-DE	TIA-5110.....	SV-5110-DE
KK9806.....	RK-44633-DE	TIA-5165.....	SV-5165-DE
KK9824 (45875-307).....	RK-44642-DE	TIA-5200.....	SV-5200-DE
FILTER ELEMENT		SS-00617.....	SV-0617-DE
355-9702.....	ELE-220-DE	43631-009 Pleated Element.....	ELE-432N-DE
357-9701.....	ELE-447-DE	43631-010 Pleated Element.....	ELE-445N-DE



INDEPENDENT COMPONENTS CORP.

528 Hempstead Turnpike, West Hempstead, NY 11552 • Phone 516-481-5100 FAX 516-481-5550
www.iccparts.com sales@iccparts.com • Toll Free: Phone 877-ICC-ICC3 FAX 800-814-8883

DE VILBISS

DE VILBISS PART NO.	I.C.C. PART NO.	DE VILBISS PART NO.	I.C.C. PART NO.
FILTER PADS		357-3	PAD-3-DE
355-3	PAD-1-DE	351-3	PAD-4-DE
356-3	PAD-2-DE	PB-21177012	ELE-7012-DE
GASKET KITS		GK-9406	GK-223-DE
GK-20	GK-20-DE	GK-9402	GK-236-DE
GK-30	GK-30-DE	GK-9400	GK-240-DE
GK-40	GK-40-DE	GK-9404	GK-247-DE
GK-55	GK-55-DE	45875-026	GK-44633-DE
GK-100	GK-100-DE	45875-014	GK-44642-DE
45875-001	GK-120-DE	45875-015	GK-44643-DE
45875-012	GK-1202-DE	45875-010	GK-432-DE
45875-003	GK-130-DE	45875-011	GK-445-DE
GK-9405	GK-123-DE	GK-9401	GK-440-DE
45875-004	GK-220-DE	GK-9403	GK-447-DE
INDIVIDUAL GASKETS ETC.		38281-110	SEPG-240-DE
1185-271	SW-1-DE	38513-122	IP-120-DE
120-126	HG-120-DE	38513-125	IP-3125-DE
120-128	SEPG-1202-DE	38543-106	LEPG-120-DE
1202-13	EP-1202-DE	38547-108	HG-7108-DE
1202-26-2	HG-1202-DE	38554-110	BRE-120-DE
1204-14	IP-1202-DE	36883-105	IP-223-DE
123-14	IP-123-DE	432-12	REC-432-DE
123-26	HG-123-DE	432-13	FEC-432-DE
123-28	VSG-123-DE	432-196	IC-432-DE
130-126	HG-130-DE	432-26	HG-432-DE
130-13	EPG-130-DE	432-327	CB-432-DE
130-14	IP-130-DE	440-26	HG-440-DE
220-12	SEPG-220-DE	445-12	FEC-445-DE
220-13	LEPG-220-DE	445-13	REC-445-DE
220-14	IP-220-DE	445-144	UC-445-DE
220-26-1	HG-220-DE	445-196	IC-445-DE
220-117	OFP-445-DE	445-196-S (flexible graphite)	IC-445-G-DE
225-12	FEC-225-DE	445-26	HG-445-DE
230-144	LEPG-1202-DE	445-327	CB-445-DE
230-26	HG-230-DE	447-26	HG-447-DE
236-26	CHG-236-DE	CAC-291-1	VPH-291-1-DE
236-50	VPG-236-DE	CAC-1265-2	HG-1265-2-DE
236-51	VPH-236-DE	SGK-100	OSG-100-DE
256-117	REC-117-DE	PB-21125003	SPA-5003-DE
330-144	UC-330-DE	PB-21125004	SPA-5004-DE
330-160	WAS-240-DE	PB-21164001	OSG-4001-DE
339-160	FW-223-DE	PB-21164004	OSG-4004-DE
342-160	WAS-440-DE	SS-01767 (SS-2532)	CN-445-DE
38251-122	EP-1122-DE	SS-2670 (220-117)	ORG-FP-DE
38256-117	LEPG-240-DE		

Please call for price and delivery of part numbers not listed

AIR FILTERS OIL FILTERS INLINE FILTERS and AIR FILTER ASSEMBLIES

See complete listing in FILTERS AIR-OIL SEPERATORS section.



INDEPENDENT COMPONENTS CORP.

528 Hempstead Turnpike, West Hempstead, NY 11552 • Phone 516-481-5100 FAX 516-481-5550
www.iccparts.com sales@iccparts.com • Toll Free: Phone 877-ICC-ICC3 FAX 800-814-8883

DE VILBISS Index by OEM Number

This page intentionally left blank



INDEPENDENT COMPONENTS CORP.

528 Hempstead Turnpike, West Hempstead, NY 11552 • Phone 516-481-5100 FAX 516-481-5550
www.iccparts.com sales@iccparts.com • Toll Free: Phone 877-ICC-ICC3 FAX 800-814-8883

SAYLOR BEALL

TUNE UP KITS TUK's with Wearing Valve Parts To simplify ordering parts for single machine repair, TUNE UP KITS have been assembled which include Gasket Kit, Piston Ring Kit, intake filter element, insert bearings, valve discs, valve springs and oil seal to recondition one compressor. Saylor Beall has used two different connecting rods and pistons in the 700 series compressors. Our "OB" kits are for compressors made prior to 8/7/80 and contain the older version connecting rod inserts and contain piston rings for both new and old style pistons. Gaskets for Pressure Lube machines are included in all kits.

VALVE SET TUNE UP KITS VSTUK's with Complete Replacement Valves.

VSTUK's have been assembled which include all parts in TUK's, with Complete Replacement Valves (current style) instead of Wearing Valve Parts.

UNDERSIZE BEARING KITS If you want any of the kits assembled with Undersize Bearings, insert the letter "U" before the "SA" in the TUK part number for .020 Undersize bearings.

Notes	STANDARD SIZE BEARINGS I.C.C. PART NO.	w/ .020 UNDER. BEARINGS	VSTUK's I.C.C. PART NO.
Compressors with aluminum rods	TUK-703-SA	U	VSTUK-703-SA
Compressors with iron rods	TUK-703-OB-SA	U	VSTUK-703-OB-SA
Compressors with aluminum rods	TUK-705-SA	U	VSTUK-705-SA
Compressors with iron rods	TUK-705-OB-SA	U	VSTUK-705-OB-SA
All versions of this compressor	TUK-707-SA	U	VSTUK-707-SA
See Note below HOK's	TUK-4500-SA	U	see below
See Note below HOK's	TUK-9000-SA	U	see below

Notes	STANDARD SIZE BEARINGS I.C.C. PART NO.	UNDERSIZE BEARINGS .020 UNDERSIZE
-------	---	--------------------------------------

VALVE SET TUNE UP KITS VSTUK's with Complete Replacement Valves Contains all parts in the TUNE UP KITS, with a VALVE SET (assemblies) in place of valve discs and valve springs.

Compressors running Start/Stop	VSTUK-4500SS-SA	VSTUK-4500SSU-SA
Compressors running Constant Speed	VSTUK-4500CR-SA	VSTUK-4500CRU-SA
Compressors running Start/Stop	VSTUK-9000SS-SA	VSTUK-9000SSU-SA
Compressors running Constant Speed	VSTUK-9000CR-SA	VSTUK-9000CRU-SA

HEAD OVERHAUL KITS HOK's with Wearing Valve Parts To simplify ordering parts for single machine valve and cylinder head repair, HEAD OVERHAUL KITS have been assembled with all necessary valve discs, valve springs, valve locating pins (4500 & 9000 only), valve seat and cover gaskets, o-rings, head, intercooler gaskets and intake filter element to recondition valves for one compressor. Gaskets for Pressure Lube machines are included in all kits.

VALVE SET HEAD OVERHAUL KITS VSHOK's with Complete Replacement Valves Contains all parts in the HEAD OVERHAUL KIT, with a VALVE SET (assemblies) in place of valve replacement parts.

Notes	I.C.C. PART NO.	VSHOK
	HOK-703-SA	VSHOK-703-SA
	HOK-705-SA	VSHOK-705-SA
	HOK-707-SA	VSHOK-707-SA
Compressors running Start/Stop	HOK-4500-SA	VSHOK-4500SS-SA
Compressors running Constant Speed	HOK-4500-SA	VSHOK-4500CR-SA
Compressors running Start/Stop	HOK-9000-SA	VSHOK-9000SS-SA
Compressors running Constant Speed	HOK-9000-SA	VSHOK-9000CR-SA

IMPORTANT NOTE on 4500 & 9000 VALVES For a period of time Saylor Beall used a different design valve in the 4500 and 9000 compressors. This valve uses Washer type, not Slotted type Valve Discs. Replacement Discs and Springs for these valves ARE NOT AVAILIABLE from either ICC or Saylor Beall. The valves can only be replaced! Order a VSHOK or VSTUK.

Please call for price and delivery of part numbers not listed

We sell only to resale accounts – We do not sell to the end user

Independent Components Corp. Is an independent supplier of compressor replacement parts and is not affiliated with manufacturers mentioned in this catalog. The original manufacturers product description and/or part number is given for reference only.



INDEPENDENT COMPONENTS CORP.

528 Hempstead Turnpike, West Hempstead, NY 11552 • Phone 516-481-5100 FAX 516-481-5550
www.iccparts.com sales@iccparts.com • Toll Free: Phone 877-ICC-ICC3 FAX 800-814-8883

SAYLOR BEALL

SAYLOR BEALL PART NO.	I.C.C. PART NO.	SAYLOR BEALL PART NO.	I.C.C. PART NO.	SAYLOR BEALL PART NO.	I.C.C. PART NO.
VALVE ASSEMBLIES WITH SEAT GASKETS		VALVE TOOLS for above		VALVE SETS WITH GASKETS (All valves for one machine)	
4265.....	φ VAL-4265-SA	w/pins.....	VTOOL-1SA-ICC	4812.....	VSET-703-SA
4266.....	φ VAL-4266-SA	w/bar.....	VTOOL-2SA-ICC	4813.....	VSET-705-SA
4267.....	φ VAL-4267-SA	8441.....	VAL-8441S-SA	4814.....	VSET-707-SA
	φ Made in USA by ICC	8442.....	VAL-8442D-SA	8571 (Start/Stop).....	VSET-4500SS-SA
		8443.....	VAL-8443S-SA	8572 (Constant speed)	VSET-4500CR-SA
		8444.....	VAL-8444S-SA	8456 (Start/Stop).....	VSET-9000SS-SA
		8445.....	VAL-8445S-SA	8457 (Constant speed)	VSET-9000CR-SA
VALVE DISCS and LOCATING PINS		VALVE SPRINGS		VALVE GASKETS	
4082.....	DISC-4082-SA	4079.....	SPG-4079-SA	4087.....	VSG-4087-SA
8489.....	DISC-8489-SA	4086.....	SPG-4086-SA	8423.....	VSG-8423-SA
8499.....	DISC-8499-SA	8490.....	SPG-8490-SA	8424.....	VSG-8424-SA
.....	LPIN-8400-SA	8500.....	SPG-8500-SA	4088.....	VCG-4088-SA
				8421.....	CG-8421-SA
PISTON RING KITS		GASKET KITS & SHIM SETS		INSERT BEARINGS PAIRS†	
6102.....	RK-703-SA	4310.....	GK-703-SA	4069.....	IN-4069PR-SA
6094.....	RK-705-SA	4311.....	GK-705-SA	4069(.020) Undersized	IN-4069PRU-SA
6095.....	RK-707-SA	4312.....	GK-707-SA	4070.....	IN-4070PR-SA
		PL Gaskets for above models are included.		4070(.020) Undersized	IN-4070PRU-SA
4394 (for OBS. 703)	RK-4394-SA	8569.....	GK-4500-SA	8081.....	IN-8081PR-SA
4395 (for OBS. 705)	RK-4395-SA	8451.....	GK-9000-SA	8081(.020) Undersized	IN-8081PRU-SA
4396 (for OBS. 707)	RK-4396-SA			†Price is for Two Halves for One Connecting Rod	
8568.....	RK-4500-SA	6112.....	SS-6112-SA		
8450.....	RK-9000-SA	8030P.....	SSET-8030P-SA		
MAIN BEARINGS		PISTON PIN BUSHINGS		PISTON PINS	
4097 (Pair of Cups) ...	RB-4097-CU-SA	4126.....	NB-4126-SA	4014.....	PIN-4014-SA
4098.....	RB-4098-CO-SA	4821.....	BUS-4821-SA	4461.....	PIN-4461-SA
4213.....	RB-4213-CO-SA	8781.....	BUS-8781-SA	8052.....	PIN-8052-SA
5058.....	RB-8058-CU-SA			8417.....	PIN-8417-SA
5057.....	RB-8057-CO-SA				
UNLOADER VALVE ASSEMBLY		INDIVIDUAL GASKETS		INDIVIDUAL GASKETS (cont.)	
6154.....	DUV-6154-SA	4019.....	BHG-4019-SA	8406.....	RG-8406-SA
6155.....	VAL-6155-SA	4081 (set of 26 washers)	CW-4081-26-SA	8407.....	RG-8407-SA
6184.....	DUV-6184-SA	4081 (single washer)	CW-4081-SA	8409.....	RG-8409-SA
		4104.....	SC-4104-SA	8646.....	OPG-8646-SA
		4105.....	CB-4105-SA	8607.....	OSG-8607-SA
		4111.....	RC-4111-SA		
		4124.....	SC-4124-SA	SAFETY & CHECK VALVES	
		4849.....	FEC-4849-SA	4726.....	CKV-4726-SA
		6077 (set of 12 washers)	CW-6077-12-SA	4144.....	ISV-4144-SA
		6077 (single washer)	CW-6077-SA	3130K.....	ISV-3130-SA
				8270.....	ISV-8270-SA
		6113.....	UC-6113-SA		
		6325.....	CP-6325-SA	SAYLOR-BEALL SURPLUS	
		6404.....	OP-6404-SA	4707.....	CYLINDERS
		8027.....	CB-8027-SA		
		8028.....	SC-8028-SA		
		8029.....	REC-8029-SA		
		8030.....	SS-8030-SA		
		8034.....	IC-8034-SA		
		8072 (set of 12 washers)	CW-8072-12-SA		
		8072 (single washer)	CW-8072-SA		



INDEPENDENT COMPONENTS CORP.

528 Hempstead Turnpike, West Hempstead, NY 11552 • Phone 516-481-5100 FAX 516-481-5550
www.iccparts.com sales@iccparts.com • Toll Free: Phone 877-ICC-ICC3 FAX 800-814-8883

SAYLOR BEALL

Saylor Beal Style Overhaul Kits Contains all parts as listed in the Saylor Beal Price list. Minor kits have valve discs and springs to rebuild the valve assemblies, Major kits have replacement valve assemblies. Generally these are similar to our **TUK** and **VSTUK** with the addition of wrist pin bushings or needle bearings (were used) and air control valve (were used)

Notes	SB PART NUMBER	I.C.C. PART NO.
703 Minor Overhaul After Sept 1970	4998-R	KIT-4998-R-SA
703 Major Overhaul After Sept 1970	4998-VR	KIT-4998-VR-SA
703 Minor Overhaul After Sept 7, 1980	4998-RD	KIT-4998-RD-SA
703 Major Overhaul After Sept 7, 1980	4998-VRD	KIT-4998-VRD-SA
703 Minor Overhaul After Feb 10, 1988	4998-RDN	KIT-4998-RDN-SA
703 Major Overhaul After Feb 10, 1988	4998-VRDN	KIT-4998-VRDN-SA
703 Minor Overhaul After Pressure Lube After Aug 9, 1980	4998-RP	KIT-4998-RP-SA
703 Major Overhaul After Pressure Lube After Aug 9, 1980	4998-VRP	KIT-4998-VRP-SA
703 Minor Overhaul After Pressure Lube After Feb 10, 1988	4998-RPN	KIT-4998-RPN-SA
703 Major Overhaul After Pressure Lube After Feb 10, 1988	4998-RPN	KIT-4998-VRPN-SA
705 Minor Overhaul After Sept 1970	4997-R	KIT-4997-R-SA
705 Major Overhaul After Sept 1970	4997-VR	KIT-4997-VR-SA
705 Minor Overhaul After Aug, 1980	4997-RD	KIT-4997-RD-SA
705 Major Overhaul After Aug, 1980	4997-VRD	KIT-4997-VRD-SA
705 Minor Overhaul After Feb 12, 1988	4997-RDN	KIT-4997-RDN-SA
705 Major Overhaul After Feb 12, 1988	4997-VRDN	KIT-4997-VRDN-SA
705 Minor Overhaul After Pressure Lube After Aug 9, 1980	4997-RP	KIT-4997-RP-SA
705 Major Overhaul After Pressure Lube After Aug 9, 1980	4997-VRP	KIT-4997-VRP-SA
705 Minor Overhaul After Pressure Lube After Feb 12, 1988	4997-RPN	KIT-4997-RPN-SA
705 Major Overhaul After Pressure Lube After Feb 12, 1988	4997-VRPN	KIT-4997-VRPN-SA
707 Minor Overhaul After June 1970	4999-R	KIT-4999-R-SA
707 Major Overhaul After June 1970	4999-VR	KIT-4999-VR-SA
707 Minor Overhaul After Aug, 1980	4999-RD	KIT-4999-RD-SA
707 Major Overhaul After Aug, 1980	4999-VRD	KIT-4999-VRD-SA
707 Minor Overhaul After Nov 12, 1987	4999-RDN	KIT-4999-RDN-SA
707 Major Overhaul After Nov 12, 1987	4999-VRDN	KIT-4999-VRDN-SA
707 Minor Overhaul After Pressure Lube After Aug 7, 1980	4999-RP	KIT-4999-RP-SA
707 Major Overhaul After Pressure Lube After Aug 7, 1980	4999-VRP	KIT-4999-VRP-SA
707 Minor Overhaul After Pressure Lube After Nov 12, 1987	4999-RPN	KIT-4999-RPN-SA
707 Major Overhaul After Pressure Lube After Nov 12, 1987	4999-VRPN	KIT-4999-VRPN-SA
4500 Valve Repair Kit	8570	VRK-8570-SA
4500 Minor Overhaul	8573	KIT-8573-SA
4500 Major Overhaul Start/Stop	8574	KIT-8574-SA
4500 Major Overhaul Constant Run	8575	KIT-8575-SA
PL4500 Minor Overhaul Pressure Lube	8573-P	KIT-8573-P-SA
PL4500 Major Overhaul Pressure Lube Start/Stop	8574-P	KIT-8574-P-SA
PL4500 Major Overhaul Pressure Lube Constant Run	8575-P	KIT-8575-P-SA
9000 Valve Repair Kit	8487	VRK-8487-SA
9000 Minor Overhaul	8369-R	KIT-8369-R-SA
9000 Major Overhaul Start/Stop	8369-VR	KIT-8369-VR-SA
9000 Major Overhaul Constant Run	8391-V	KIT-8391-V-SA
PL9000 Minor Overhaul Pressure Lube	8369-RP	KIT-8369-RP-SA
PL9000 Major Overhaul Pressure Lube Start/Stop	8369-VRP	KIT-8369-VRP-SA
PL9000 Major Overhaul Pressure Lube Constant Run	8391-VP	KIT-8391-VP-SA
6154 Discharge Unloader Valve Repair Kit	6154-R	KIT-6154-SA
6184 Discharge Unloader Valve Repair Kit	6184-R	KIT-6184-SA

AIR FILTERS OIL FILTERS and AIR FILTER ASSEMBLIES

See complete listing in *FILTERS AIR-OIL SEPERATORS* section.

INLINE FILTERS

See complete listing in *COMPRESSOR OILS INLINE FILTERS* section.



INDEPENDENT COMPONENTS CORP.

528 Hempstead Turnpike, West Hempstead, NY 11552 • Phone 516-481-5100 FAX 516-481-5550
www.iccparts.com sales@iccparts.com • Toll Free: Phone 877-ICC-ICC3 FAX 800-814-8883

THIS PAGE INTENTIONALLY LEFT BLANK



INDEPENDENT COMPONENTS CORP.

528 Hempstead Turnpike, West Hempstead, NY 11552 • Phone 516-481-5100 FAX 516-481-5550
www.iccparts.com sales@iccparts.com • Toll Free: Phone 877-ICC-ICC3 FAX 800-814-8883

INDUSTRIAL AIR

TUNE UP KITS TUK's with Wearing Valve Parts. To simplify ordering parts for single machine repair, TUNE UP KITS have been assembled which include Gasket Kit, Piston Ring Kits, intake filter elements, insert bearings, valve discs, valve springs and oil seal to recondition one compressor.

VALVE SET TUNE UP KITS VSTUK's with Complete Replacement Valves.

VSTUK's have been assembled which include all parts in TUK's, with Complete Replacement Valves (current style) instead of Wearing Valve Parts. Order by starting the part number with VSTUK instead of TUK.

UNDERSIZE BEARING KITS If you want any of the kits assembled with Undersize Bearings, insert the letter "U" before the "IA" in the TUK part number for .020 Undersize bearings.

MODEL	STANDARD SIZE BEARINGS I.C.C. PART NO.	UNDERSIZE BEARINGS .020 Undersize	VSTUK
SC23 (CI-5)	TUK-SC23-IA	TUK-SC23U-IA	VSTUK-SC23-IA
SC46 (CI-10)	TUK-SC46-IA	TUK-SC46U-IA	VSTUK-SC46-IA

HEAD OVERHAUL KITS HOK's with Wearing Valve Parts. To simplify ordering parts for single machine valve and cylinder head repair, HEAD OVERHAUL KITS have been assembled with all necessary valve discs, valve springs, valve seat and cover gaskets, o-rings, head and intercooler gaskets and intake filter elements to recondition valves for one compressor.

VALVE SET HEAD OVERHAUL KITS VSHOK's with Complete Replacement Valves. Contains all parts in the HEAD OVERHAUL KIT, with a VALVE SET (assemblies) in place of valve discs and valve springs.

MODEL	I.C.C. HOK PART NO.	I.C.C. VSHOK PART NO.
SC23 (CI-5)	HOK-SC23-IA	VSHOK-SC23-IA
SC46 (CI-10)	HOK-SC46-IA	VSHOK-SC46-IA

INDUSTRIAL AIR style OVERHAUL KITS with NO Valves or Valve Replacement Parts. To simplify ordering parts for single machine repair, OVERHAUL KITS have been assembled with Gasket Kit, Piston Ring Kits, intake filter elements, insert bearings, and oil seal to recondition one compressor.

165-0064	KIT-SC23-IA
165-0065	KIT-SC46-IA

I.A. PART NUMBERS	I.C.C. PART NO.	I.A. PART NUMBERS	I.C.C. PART NO.
VALVE ASSEMBLIES WITH SEAT GASKETS (Original valves are sold without seat gaskets)		VALVE DISCS	
043-0098	VAL-0098-IA	043-0097	DISC-0097-IA
043-0099	VAL-0099-IA	VALVE SPRINGS	
043-0100	VAL-0100-IA	055-0048	SPG-0048-IA
VALVE SETS WITH SEAT GASKETS (All valves for one machine) (Original valves are sold without seat gaskets)		055-0049	SPG-0049-IA
(Set of 5 valves)	VSET-SC23-IA	VALVE GASKETS	
(Set of 10 valves)	VSET-SC46-IA	046-0174	VCG-0174-IA
VALVE TOOLS for above Valves		060-0062	VSG-0062-IA
w/pins	VTOOL-1SA-ICC	OTHER VALVE PARTS	
w/bar	VTOOL-2SA-ICC	043-0094	SPA-0094-IA
VALVE GASKET SETS		043-0095	SPA-0095-IA
046-0184	VGS-SC23-IA	058-0082	RET-0082-IA
046-0186	VGS-SC46-IA	058-0083	RET-0083-IA
		077-0072	COV-0072-IA
		077-0073	COV-0073-IA

INSERT BEARINGS PAIRS†	
051-0055 Pair	INS-0055PR-IA
.020 Undersize	INS-0055PRU-IA

† Price is for Two Halves for One Connecting Rod.

PISTON RODS	
047-0054 aluminum	ROD-0054-IA
047-0084 cast iron	ROD-0084-IA

PISTON RING KITS	
054-0178 (HP)	RK-0178-IA
054-0179 (LP)	RK-0179-IA

PISTONS & PINS	
048-0054	PT-0054-IA
048-0081 (048-0055)	PT-0055-IA
052-0027	PIN-0027-IA
052-0028	PIN-0028-IA



INDEPENDENT COMPONENTS CORP.

528 Hempstead Turnpike, West Hempstead, NY 11552 • Phone 516-481-5100 FAX 516-481-5550
www.iccparts.com sales@iccparts.com • Toll Free: Phone 877-ICC-ICC3 FAX 800-814-8883

INDUSTRIAL AIR

I.A. PART NUMBERS	I.C.C. PART NO.	I.A. PART NUMBERS	I.C.C. PART NO.
INTERCOOLER PARTS		HEAD PARTS	
062-0006	PLG-0006-IA	042-0055	HEAD-SC23-IA
063-0006	REB-0006-IA	042-0056	HEAD-SC46-IA
064-0022	ELB-0022-IA		
082-0012	IC-0012-IA	058-0087	NUT-0087-IA
82-716001-L	IT-SC46-L-IA	060-0105	WAS-0105-IA
82-716001-R	IT-SC46-R-IA	083-0008	EAM-0008-IA
		083-0009	EAM-0009-IA
OIL SEALS		GASKET KITS	
046-0179	OS-0179-IA	046-0183	GK-0183-IA
		046-0185	GK-0185-IA
INDIVIDUAL GASKETS			
046-0130	HG-0130-IA	046-0173	IC-0173-IA
046-0166	HG-0166-IA	046-0175	SH-0175-IA
046-0167	CB-0167-IA	046-0176	SH-0176-IA
046-0168	FC-0168-IA	046-0177	SH-0177-IA
046-0169	SC-0169-IA	046-0178	SG-0178-IA
046-0170	SC-0170-IA	046-0227	UG-0227-IA
046-0171	UG-0171-IA	060-0061	CW-0061-IA
046-0172	AM-0172-IA		
UNLOADER PARTS			
031-0034	VAL-0034-IA	077-0071	UHA-0071-IA
055-0051	CCS-0051-IA	078-0011	CCP-0011-IA
059-0156	SCR-0156-IA	096-0009	WGT-0009-IA
059-0166	BOLT-0166-IA	107-0015	CCP-0015-IA
068-0089	BREC-0089-IA	114-0112	WGTH-0112-IA
070-0020	CCA-0020-IA	145-0401	TUBE-0401-IA
077-0070	PLAC-0070-IA	145-0402	TUBE-0402-IA
CRANKCASE PARTS			
032-0031	SG-0031-IA	053-0051	CKS-0051-IA
032-0071	SG-0071-IA	053-0052	CKS-0052-IA
044-0037	FLY-0037-IA	056-0056	BRE-0056-IA
044-0051	FLY-0051-IA	056-0063	DIP-0063-IA
045-0044	BC-0044-IA	058-0086	NUT-0086-IA
146-0015	KEY-0015-IA	059-0163	SCR-0163-IA
051-0052	RB-0052-CU-IA	060-0069	WAS-0069-IA
051-0053	MB-0053-IA	062-0004	PLUG-0004-IA
051-0053	RB-0053-CO-IA	077-0069	COV-0069-IA
051-0054	RB-0054-CO-IA		
OTHER PARTS			
031-0060	VCVP-0060-IA	059-0159	SCR-0159-IA
046-0133	CG-0133-IA	059-0167	SCR-0167-IA
050-0030	CYL-0030-IA	060-0063	CW-63-IA
058-0017	NUT-0017-IA	060-0070	WAS-0070-IA
058-0146	NUT-0146-IA	064-0066	ELB-0066-IA
059-0018	BRE-0018-IA	082-0013	AF-0013-IA
059-0153	SCR-053-IA	082-0014	ACOO-0014-IA
059-0157	SCR-0157-IA	054-0119	LR-0119-IA
059-0158	SCR-0158-IA		

Please call for price and delivery of part numbers not listed

We sell only to resale accounts – We do not sell to the end user

Independent Components Corp. is an independent supplier of compressor replacement parts and is not affiliated with manufacturers mentioned in this catalog. The original manufacturers product description and/or part number is given for reference only.



INDEPENDENT COMPONENTS CORP.

528 Hempstead Turnpike, West Hempstead, NY 11552 • Phone 516-481-5100 FAX 516-481-5550
www.iccparts.com sales@iccparts.com • Toll Free: Phone 877-ICC-ICC3 FAX 800-814-8883

CHICAGO PNEUMATIC

C. P. PART NO.	I.C.C. PART NO.	C. P. PART NO.	I.C.C. PART NO.
VALVE ASSEMBLIES without Unloaders			
1-271761	VAL-32S-CP	1-271806	VAL-53S-CP
2-271761	VAL-32SA-CP	1-271774	VAL-53D-CP
1-271812	VAL-32D-CP	2-271773	VAL-5P3D-CP
2-271762	VAL-3P2D-CP	1-271792	VAL-64S-CP
3-271762	VAL-3P2ND-CP	1-271794	VAL-64D-CP
1-273640	VAL-32VS-CP		

3-2C VALVE ASSEMBLIES without Unloaders			
2-01-30007, 3-01-30007-.....	VAL-2-07S-CP †	1-01-30084, 2-01-30084 (Non Lube)	VAL-1-84S-CP †
23-01-30007 (4-01-30007), 7-01-30007	VAL-23-07S-CP †	3-01-30084 (Non-Lube).....	VAL-3-84S-CP †
24-01-30007 (16-01-30007)	VAL-24-07S-CP †		

† These suction valves do not include Unloader assemblies, see Unloader Assemblies below.
They are also labeled as 30005 series Valves (without Unloaders)

2-01-30006, 3-01-30006, 10-01-30006(Repl. 1-,7-,21-, 32-)	VAL-2-06D-CP	1-01-30085, 2-01-30085,	
22-01-30006 (5-01-30006)	VAL-22-06D-CP	6-01-30085 (Non Lube).....	VAL-1-85D-CP
29-01-30006 (17-01-30006)	VAL-29-06D-CP	3-01-30085 -(Non-Lube).....	VAL-3-85D-CP

5-4C VALVE ASSEMBLIES without Unloaders			
2-01-50021 (3-01-50021) (6-01-50021)	VAL-2-21S-CP ††	14-01-50021 (9-01-50021).....	VAL-14-21S-CP ††
13-01-50021 (4-01-50021)	VAL-13-21S-CP ††	1-01-50089 (Non-Lube).....	VAL-1-89S-CP ††

†† These suction valves do not include Unloader assemblies, see Unloader Assemblies below.
They are also labeled as 50019 series Valves (without Unloaders)

2-01-50020 (3-01-50020) (7-01-50020)		14-01-50020	VAL-14-20D-CP
1-01-50020	VAL-2-20D-CP	1-01-50091 (Non-Lube).....	VAL-1-91D-CP
11-01-50020 (5-01-50020)	VAL-11-20D-CP		

Other similar Valves may be available. Please call for details.

VALVE UNLOADER ASSEMBLIES (Including Lifter, Guide, Spring & Retainer)			
1-01-30017 & Parts	LIFT-3-2C-CP	1-17422	LIFT-53-CP
1-01-50027 & Parts	LIFT-5-4C-CP	1-17368	LIFT-32-CP

VALVE SEATS & VALVE KEEPERS			
1-14097	VS-32S-CP	1-271772	VS-53D-CP
1-14090	VS-32D-CP	1-271771	VK-53D-CP
1-14094	VK-32S-CP		
1-271768	VK-32D-CP	1-271770	VS-5P3D-CP
1-271763	VK-3P2D-CP	1-271769	VK-5P3D-CP
1-271782	VS-53S-CP	1-01-30008	VS-1-08S-CP
1-271786	VK-53S-CP	2-01-30009	VK-2-09S-CP
		2-01-30010	VS-2-10D-CP
		2-01-30011	VK-2-11D-CP
		1-01-50022	VS-1-22S-CP
		2-01-50023	VK-2-23S-CP
		2-01-50024	VS-2-24D-CP
		2-01-50025	VK-2-25D-CP

VALVE SPRINGS			
2-9867	SPG-1-CP	1-01-30018	SPG-4-CP
2-14093	SPG-2-CP	2-01-30018	SPG-5-CP
1-15392	SPG-3-CP	5-01-30018	SPG-7-CP
		1-01-30004	SPG-30004-CP
		3-19277	SPG-3-9277-CP
		4-9773	SPG-4-9773-CP

VALVE SPRING SEAT - Metal	
1-01-30146	SPGS-146-CP 2-19275
	SPGS-2-9275-CP

VALVE SPRING BUTTONS			
2-01-30019	BU-1-CP	2-01-20041	BU-3-CP
1-01-20041	BU-2-CP	1-01-30079	BU-4-CP
		2-01-30079	BU-5-CP

VALVE-STUD-and Screws			
1-14116	STD-1-CP	1-15181	STD-3-CP
1-14089	STD-2-CP	1-14706	STD-53D-CP
		36-PS-400B	SCR-36-CP



INDEPENDENT COMPONENTS CORP.

528 Hempstead Turnpike, West Hempstead, NY 11552 • Phone 516-481-5100 FAX 516-481-5550
www.iccparts.com sales@iccparts.com • Toll Free: Phone 877-ICC-ICC3 FAX 800-814-8883

CHICAGO PNEUMATIC

VALVE REPAIR KITS

Contains valve Discs, valve springs, valve seat gasket, and valve cover gasket for repair of one valve.

TO REPAIR VALVE

ORIGINAL PART	I.C.C. PART	ORDER I.C.C. PART	I.C.C. PRICES
To Rebuild listed Valves			
	1-271761	VAL-32S-CP	VRK-32S-CP
	2-271761	VAL-32SA-CP	VRK-32SA-CP
	1-271812	VAL-32D-CP	VRK-32D-CP
	2-271762	VAL-3P2D-CP	VRK-3P2D-CP
	1-271806	VAL-53S-CP	VRK-53S-CP
	1-271774	VAL-53D-CP	VRK-53D-CP
	2-271773	VAL-5P3D-CP	VRK-5P3D-CP
To Rebuild 3-2C Valves			
	2-01-30007 (3-01-30007)	VAL-2-07S-CP	VRK-2-07S-CP
	23-01-30007 (4-01-30007)	VAL-23-07S-CP	VRK-23-07S-CP
	24-01-30007 (16-01-30007)	VAL-24-07S-CP	VRK-24-07S-CP
	2-01-30006 (3-01-30006)	VAL-2-06D-CP	VRK-2-06D-CP
	22-01-30006 (5-01-30006)	VAL-22-06D-CP	VRK-22-06D-CP
	29-01-30006 (17-01-30006)	VAL-29-06D-CP	VRK-29-06D-CP
To Rebuild 3-2C Non Lube Valves			
	1-01-30084, 2-01-30084	VAL-1-84S-CP	VRK-1-84S-CP
	3-01-30084	VAL-3-84S-CP	VRK-3-84S-CP
	1-01-30085, 2-01-30085	VAL-1-85D-CP	VRK-1-85D-CP
	3-01-30085	VAL-3-85D-CP	VRK-3-85D-CP
To Rebuild 5-4C Valves			
	2-01-50021 (3-01-50021)	VAL-2-21S-CP	VRK-2-21S-CP
	13-01-50021 (4-01-50021)	VAL-13-21S-CP	VRK-13-21S-CP
	14-01-50021 (9-01-50021)	VAL-14-21S-CP	VRK-14-21S-CP
	2-01-50020 (3-01-50020)	VAL-2-20D-CP	VRK-2-20D-CP
	11-01-50020 (5-01-50020)	VAL-11-20D-CP	VRK-11-20D-CP
	14-01-50020	VAL-14-20D-CP	VRK-14-20D-CP

C. P. PART NO.	I.C.C. PART NO.	C. P. PART NO.	I.C.C. PART NO.	C. P. PART NO.	I.C.C. PART NO.
VALVE RINGS					
1-14091	DISC-1-CP	1-273174	DISC-13-CP	4-01-50028	DISC-4-28-CP
1-14088	DISC-2-CP	5-273174	DISC-14-CP	5-01-50028	DISC-5-28-CP
1-271758	DISC-3-CP	9-273174	DISC-15-CP	6-01-50028	DISC-6-28-CP
5-271758	DISC-4-CP	13-273174	DISC-16-CP	7-01-50028	DISC-7-28-CP
9-271758	DISC-5-CP	17-273174	DISC-17-CP	8-01-50028	DISC-8-28-CP
13-271758	DISC-6-CP	21-273174	DISC-18-CP	9-01-50028	DISC-9-28-CP
1-9349	DISC-7-CP	25-273174	DISC-19-CP	1-01-50048	DISC-1-48-CP
1-9347	DISC-8-CP	3-01-20007	DISC-3-7-CP	2-01-50048	DISC-2-48-CP
1-9348	DISC-9-CP	4-01-20007	DISC-4-7-CP	3-01-50048	DISC-3-48-CP
3-9082	DISC-10-CP	1-01-50028	DISC-1-28-CP	4-01-50048	DISC-4-48-CP
1-15867	DISC-11-CP	2-01-50028	DISC-2-28-CP	5-01-50048	DISC-5-48-CP
1-11686	DISC-12-CP	3-01-50028	DISC-3-28-CP	6-01-50048	DISC-6-48-CP

VALVE GASKETS Popular Valve gaskets are priced below, all valve gaskets are listed in gasket section

1-14511	VCG-2-CP	18-12157	ANG-1-CP	3-21076	VSG-3-6C-CP
1-14559	VCG-3-CP	9-12157	WAS-9-57-CP	A3-21076	VSG-3-6A-CP
2-26483	VCG-4-CP	1-21076	VSG-1-6C-CP	3-21076SS	VSG-3-6SS-CP
A4-21007	VCG-4-7A-CP	A1-21076	VSG-1-6A-CP		
A6-21007	VCG-6-7A-CP	1-21076SS	VSG-1-6SS-CP		

UNLOADER DIAPHRAGMS

2-21894 (1-14889)	DPH-1-CP	1-21892 (1-14561)	DPH-3-CP	2-21893	DPH-5-CP
2-21896 (1-14412)	DPH-2-CP	1-PS-1128 (DOME TYPE)	DPH-4-CP		



INDEPENDENT COMPONENTS CORP.

528 Hempstead Turnpike, West Hempstead, NY 11552 • Phone 516-481-5100 FAX 516-481-5550
www.iccparts.com sales@iccparts.com • Toll Free: Phone 877-ICC-ICC3 FAX 800-814-8883

CHICAGO PNEUMATIC

C. P. PART NO.	I.C.C. PART NO.	C. P. PART NO.	I.C.C. PART NO.	C. P. PART NO.	I.C.C. PART NO.
OTHER PARTS for CP Parts not listed on prior pages If you require any part not listed below, please call for quotation..					
W-3245.....	GK-3245-CP	1-01-50093.....	VK-1-93D-CP	1-19584.....	GKT-1-9584-CP
W-4197.....	GK-4197-CP	2-01-30016.....	VHOLD-2-30016-CP	3-19277.....	SPG-3-9277-CP
W-845.....	GK-845-CP	9-12157.....	WAS-9-57-CP	1-20051.....	SEAL-1-0051-CP
1-75-203.....	GKT-75-203-CP	9-12157A.....	WAS-9-57A-CP	1-20122.....	VSG-1-22-CP
80-B-06.....	GKT-80B06-CP	18-12157.....	ANG-1-CP	2-20122.....	VSG-2-22-CP
153-PS-14.....	SETS-153-14-CP	1-13582.....	HG-1-3582-CP	3-20122.....	VSG-3-22-CP
28-PS-38.....	SH-28-38-CP	1-13698.....	RG-13698-CP	1-20784.....	GKT-1-0784-CP
1-PS-1292B.....	PAK-1-1292-CP	1-14037.....	RG-14037-CP	1-20882.....	RG-0882-CP
2-PS-1292B.....	PAK-2-1291-CP	2-14199.....	SPG-1-4199-CP	A1-21007 (1-21007A)	VCG-1-7A-CP
1-PS-196.....	PR-1-196-CP	2-14367.....	VSG-2-67-CP	C1-21007 (1-21007C)	VCG-1-7C-CP
3-PS-229.....	PAK-3-229-CP	3-14367 (1-20122)	VSG-3-67-CP	A2-21007 (2-21007A)	VCG-2-7A-CP
8-PS-420.....	PR-8-420-CP	5-14367.....	VSG-5-67-CP	C2-21007 (2-21007C)	VCG-2-7C-CP
3PS-544.....	RG-3-544-CP	5-14367A.....	VSG-5-67A-CP	A3-21007 (3-21007A)	VCG-3-7A-CP
4-PS-628.....	ORG-4-628-CP	A5-14367.....	VSG-5-67A-CP	C3-21007 (3-21007C)	VCG-3-7C-CP
10-PS-628.....	ORG-10-628-CP	6-14367.....	VSG-6-67-CP	A4-21007 (4-21007A)	VCG-4-7A-CP
14-PS-628.....	ORG-14-628-CP	6-14367A.....	VSG-6-67A-CP	C4-21007 (4-21007C)	VCG-4-7C-CP
1-PS-667.....	PR-1-667-CP	39-14367SS (SS39-14367)	VSG-39-67SS-CP	A6-21007 (6-21007A)	VCG-6-7A-CP
10-PS-676.....	FELT-676-CP	1-14511.....	VCG-2-CP	C6-21007 (6-21007C)	VCG-6-7C-CP
1-PS-700.....	PR-1-700-CP	1-14529.....	HG-4529-CP	A7-21007 (7-21007A)	VCG-7-7A-CP
1-PS-704.....	PR-1-704-CP	2-14529.....	HG-2-4529-CP	C7-21007 (7-21007C)	VCG-7-7C-CP
1-PS-705.....	PR-1-705-CP	1-14530.....	FL-1-4530-CP	A12-21007 (12-21007A) ..	VCG-12-7A-CP
1-PS-706.....	PR-1-706-CP	1-14559.....	VCG-3-CP	C12-21007 (12-21007C) ..	VCG-12-7C-CP
3-PS-735.....	PR-3-735-CP	1-14589.....	FL-1-4589-CP	A13-21007 (13-21007A) ..	VCG-13-7A-CP
7-PS-735.....	PR-7-735-CP	2-14589.....	FL-2-4589-CP	C13-21007 (13-21007C) ..	VCG-13-7C-CP
9-PS-735.....	PR-9-735-CP	1-14612.....	CB-1-4612-CP	A14-21007 (14-21007A) ..	VCG-14-7A-CP
10-PS-735.....	PR-10-735-CP	1-14641.....	FL-1-4641-CP	C14-21007 (14-21007C) ..	VCG-14-7C-CP
13-PS-735.....	PR-13-735-CP	1-14642.....	GKT-1-4642-CP	A15-21007 (15-21007A) ..	VCG-15-7A-CP
14-PS-735.....	PR-14-735-CP	1-14652.....	FL-1-4652-CP	C15-21007 (15-21007C) ..	VCG-15-7C-CP
3-PS-1380.....	ORG-3-1380-CP	1-14722.....	GKT-1-4722-CP	A16-21007 (16-21007A) ..	VCG-16-7A-CP
4-PS-1380.....	ORG-4-1380-CP	1-14727.....	GKT-1-4727-CP	C16-21007 (16-21007C) ..	VCG-16-7C-CP
A48-PS-1485.....	PR-A48-1485-CP	1-14737.....	EC-1-4737-CP	A20-21007 (20-21007A) ..	VCG-20-7A-CP
97-PS-1485.....	PR-97-1485-CP	1-14738.....	ED1-4738-CP	C20-21007 (20-21007C) ..	VCG-20-7C-CP
1-PS-1497.....	RET-1-1497-CP	1-14740.....	DG-1-4740-CP	C21-21007 (21-21007C) ..	VCG-21-7C-CP
216-PS-2844.....	ORG-216-2844-CP	1-14787.....	SHIM-1-4787-CP	A21-21007 (21-21007A) ..	VCG-21-7A-CP
151-PS-2987.....	ORG-151-2987-CP	1-14788.....	EC-1-4788-CP	1-21076.....	VSG-1-6C-CP
11-PS-2988.....	ORG-11-2988-CP	1-14857.....	SEAL-1-4857-CP	A1-21076.....	VSG-1-6A-CP
11-PS-3057.....	ORG-11-3057-CP	1-14994.....	HG-1-4994-CP	SS1-21076.....	VSG-1-6SS-CP
111-PS-3057.....	ORG-111-3057-CP	1-15404.....	GKT-1-5404-CP	SS-2-21076 (2-21076-SS)	VSG-2-6SS-CP
9-PS-3073.....	PAK-9-3073-CP	1-15405.....	HG-1-5405-CP	3-21076.....	VSG-3-6C-CP
8-PS-3074.....	PAK-8-3074-CP	1-15514.....	CB-1-5514-CP	A3-21076 (A3-21076)	VSG-3-6A-CP
9-PS-3076.....	PAK-9-3076-CP	3-15514.....	CB-3-5514-CP	SS3-21076 (3-21076SS) ..	VSG-3-6SS-CP
9-PS-3240.....	PAK-9-3240-CP	1-15515.....	HG-5515-CP	4-21076.....	VSG-4-6-CP
1-7390.....	RG-1-7390-CP	1-15604.....	SHIM-1-5604-CP	4-21076-SS (SS-4-21076)	VSG-4-6SS-CP
9-PS-3397.....	PR-9-3397-CP	1-16091.....	RG-1-6091-CP	A6-21076 (6-21076) ..	VSG-6-6A-CP
9-PS-4338.....	PAK-9-4338-CP	2-12369.....	RG-2-2369-CP	6-21076SS (SS6-21076) ..	VSG-6-6SS-CP
9-PS-4340.....	PAK-9-4340-CP	3-16232.....	RG-6232-CP	6-21076.....	VSG-6-6-CP
7-PS-4344.....	PAK-7-4344-CP	10-16634.....	FL-10-6634-CP	10-21076.....	VSG-10-6C-CP
22-2757.....	FL-2757-CP	1-17115.....	CB-1-7115-CP	A10-21076.....	VSG-10-6A-CP
9-9716.....	XNUT-9-9716-CP	1-17116.....	HG-1-7116-CP	SS10-21076SS.....	VSG-10-6SS-CP
9-9685.....	XNUT-9-9685-CP	1-17117.....	HG-1-7117-CP-	11-21076.....	VSG-11-6C-CP
29-9405.....	HG-29-9405-CP	1-17121.....	EC-1-7121-CP	A11-21076.....	VSG-11-6A-CP
1-9529.....	XPIN-1-9529-CP	1-18258 (1-14788)	EC-1-8258-CP	SS11-21076.....	VSG-11-6SS-CP
2-9805.....	RG-9805-CP	1-18360.....	HC-1-8360-CP	12-21076.....	VSG-12-6-CP



INDEPENDENT COMPONENTS CORP.

528 Hempstead Turnpike, West Hempstead, NY 11552 • Phone 516-481-5100 FAX 516-481-5550
www.iccparts.com sales@iccparts.com • Toll Free: Phone 877-ICC-ICC3 FAX 800-814-8883

CHICAGO PNEUMATIC

NEW ITEMS

C. P. PART NO.	I.C.C. PART NO.	C. P. PART NO.	I.C.C. PART NO.	C. P. PART NO.	I.C.C. PART NO.
OTHER PARTS for CP Parts not listed on prior pages If you require any part not listed below, please call for quotation..					
A12-21076.....	VSG-12-6A-CP	13-271903.....	RG-13-1903-CP	1-471034.....	HG-1-1034-CP
SS12-21076.....	VSG-12-6SS-CP	5-272101.....	GKT-5-2101-CP	1-471073.....	RG-1-1073-CP
12-21076.....	VSG-12-6-CP	1-272425.....	VK-1-2425-CP	1-471084.....	GKT-1084-CP
A12-21076.....	VSG-12-6A-CP	1-273103.....	SPG-1-3103-CP		
SS12-21076.....	VSG-12-6SS-CP	2-273103.....	SPG-2-3103-CP	1-472073.....	DG-1-2073-CP
				1-472074.....	FG-1-2074-CP
3-21076.....	VSG-3-6-CP	3-273103.....	SPG-3-3103-CP	1-472072.....	FRG-1-2072-CP
1-21266.....	HGH-1-1266-CP	4-273103.....	SPG-4-3103-CP	1-472082.....	GKT-1-2082-CP
2-26483.....	VCG-4-CP	5-273103.....	SPG-5-3103-CP	1-472085.....	HG-1-2085-CP
2-48326.....	HG-2-8326-CP	6-273103.....	SPG-6-3103-CP		
1-49183.....	HG-1813-CP	7-273103.....	SPG-7-3103-CP	2-472085.....	HG-2-2085-CP
				3-472085.....	HG-3-2085-CP
2-51279.....	GKT-2-1279-CP	8-273103.....	SPG-8-3103-CP	4-472085.....	HG-4-2085-CP
2-52462.....	GKT-2-2462-CP	9-273103.....	SPG-9-3103-CP	1-473054.....	HG-1-3054-CP
3-53767.....	PAK-3-3767-CP	21-275745.....	FL-21-5745-CP	1-474609.....	GKT-1-4609-CP
1-011346.....	RG-1-1346-CP	22-275745.....	FL-22-5745-CP		
2-011346.....	GKT-2-1346-CP	91-275745.....	GK-1-5745-CP	2-474609.....	GKT-2-4609-CP
				1-481756.....	GKT-1-1756-CP
1-013583.....	HG-1-3583-CP	95-275745.....	GKT-95-5745-CP	1-481757.....	RG-1-1757-CP
2-271819.....	HP-2-CP	1-462031.....	DG-2031-CP	1-481758.....	RG-1-1758-CP
5-271819.....	HP-5-CP	1-462076.....	GKT-1-2076-CP	1-481760.....	RG-1-1760-CP
6-271819.....	HP-6-CP	1-462077.....	GKT-1-2077-CP		
7-271819.....	HP-7-CP	1-462090.....	DG-2090-CP	1-481986.....	GKT-1-1986-CP
				1-481988.....	GKT-1-1988-CP
9-271819.....	HP-9-CP	1-461685.....	FRG-1-1685-CP	1-482998.....	HG-1-2998-CP
10-271819.....	HP-10-CP	1-461701.....	HG-1-1701-CP	1-483004.....	HG-1-3004-CP
11-271819.....	HP-11-CP	1-462093.....	GKT-1-2093-CP	1-491809.....	GKT-1-1809-CP
21-271819.....	HP-21-CP	1-462254.....	RG-1-2254-CP		
24-271819.....	HP-24-CP	1-462952.....	HG-1-2952-CP	1-492282.....	HG-1-2282-CP
				1-504626.....	HG-1-4626-CP
27-271819.....	HP-27-CP	1-471001.....	RG-1-1001-CP	1-501645.....	GKT-1-1645-CP
29-271819.....	HP-29-CP	1-471002.....	RG-1-1002-CP	1-511168.....	HG-1-1168-CP
32-271819.....	HP-32-CP	1-471003.....	GKT-471003-CP	2-511168.....	HG-2-1168-CP
36-271819.....	HP-36-CP	1-471004.....	HG-1-1004-CP		
79-271819.....	HP-79-CP	3-471004.....	HG-3-1004-CP	3-511168.....	HG-3-1168-CP
				1-511872.....	HG-1-1872-CP
7-271903.....	RG-7-1903-CP	1-471007.....	GKT-1-1007-CP		

Please call, FAX or e-Mail for price and delivery of ALL CP PARTS

ROTARY SCREW AND VANE COMPRESSOR PARTS

See complete listing in ROTARY SCREW COMPRESSOR PART section.

AIR-OIL SEPARATORS

See complete listing in FILTERS AIR-OIL SEPARATORS section.

AIR FILTERS OIL FILTERS and AIR FILTER ASSEMBLIES

See complete listing in FILTERS AIR-OIL SEPARATORS section.

INLINE FILTERS

See complete listing in FILTERS AIR-OIL SEPARATORS section.

Independent Components Corp. Is an independent supplier of compressor replacement parts and is not affiliated with manufacturers mentioned in this catalog. The original manufacturers product description and/or part number is given for reference only.



INDEPENDENT COMPONENTS CORP.

528 Hempstead Turnpike, West Hempstead, NY 11552 • Phone 516-481-5100 FAX 516-481-5550
www.iccparts.com sales@iccparts.com • Toll Free: Phone 877-ICC-ICC3 FAX 800-814-8883

EMGLO

EMGLO PART NUMBERS	I.C.C. PART NO.	EMGLO PART NUMBERS	I.C.C. PART NO.
Valve Assemblies & Unloader Assembly		Individual Gaskets	
K145.....	VAL-145-EM	EQ51.....	HG-EQ51-EM
K145T (Non-Lube).....	VAL-145T-EM	F15.....	FCG-F15-EM
K146.....	VAL-146-EM	F31.....	CB-F31-EM
K146T (Non-Lube).....	VAL-146T-EM	F41.....	VPG-F41-EM
KU181.....	UNLA-181-EM	F51.....	HG-F51-EM
Valve Parts & Unloader Parts		F54.....	PAD-F54-EM
K43.....	RET-43-EM	K15.....	FCG-K15-EM
K43-ST.....	RET-43ST-EM	K31.....	CB-K31-EM
K44.....	VB-44-EM	K51.....	HG-K51-EM
K44-ST.....	VB-44-ST-EM	L3.....	EC-L3-EM
K47.....	DISC-47-EM	L4.....	EC-L4-EM
K45.....	SPG-45-EM	L41.....	VPG-L41-EM
K46.....	SPG-46-EM	L51.....	HG-L51-EM
KU81.....	UPI-81-EM	W3.....	EC-W3-EM
KU82.....	ORG-82-EM	Oil Seals	
KU83.....	UNSP-83-EM	F11.....	OS-F11-EM
KU84.....	WAS-84-EM	W11.....	OS-W11-EM
KU85.....	UR-85-EM	K11E.....	OS-K11E-EM
Gasket Sets		Filter Elements	
EQ100.....	GK-EQ-EM	G54E (New Style).....	ELE-G54E-EM
F100.....	GK-F-EM	G54EP.....	ELE-G54E-4-EM
J100.....	GK-J-EM	L54E (Old Style).....	ELE-L54E-EM
K100.....	GK-K-EM	L54EP.....	ELE-L54E-4-EM
K100A.....	GK-KA-EM	K54.....	PAD-K54-EM
L100.....	GK-L-EM	K54P.....	PAD-K54-4-EM
W100.....	GK-W-EM	G54.....	FA-G54-EM
Piston Ring Sets		G54P.....	FA-G54-4-EM
F133 (for 1 piston).....	RK-F-EM	Hardware	
F133 (for 1 piston) w/3 pc oil.....	RK-F-SP-EM	120-1002 (K6) (F8).....	SCR-K6-EM
K133 (for 2 pistons).....	RK-K-EM	120-1017 (K8).....	SCR-K8-EM
K133 (for 2 pistons) w/3 pc oil.....	RK-K-SP-EM	L22.....	SCR-L22-EM
BEARINGS		K52.....	SCR-K52-EM
EQ38.....	PPB-EQ38-EM	SAFETY VALVES – ASME CODE ¼ NPT	
K9.....	BB-K9-EM	SVU65 (SV65).....	SV-65-EM
L9.....	BB-L9-EM	SVU125 (SV125).....	SV-125-EM
W9.....	BB-W9-EM	SVU165 (SV165).....	SV-165-EM
W10.....	BB-W10-EM	SVU180 (SV180).....	SV-180-EM
		SVU200 (SV200).....	SV-200-EM

We sell only to resale accounts – We do not sell to the end user

Independent Components Corp. Is an independent supplier of compressor replacement parts and is not affiliated with manufacturers mentioned in this catalog. The original manufacturers product description and/or part number is given for reference only.



INDEPENDENT COMPONENTS CORP.

528 Hempstead Turnpike, West Hempstead, NY 11552 • Phone 516-481-5100 FAX 516-481-5550
www.iccparts.com sales@iccparts.com • Toll Free: Phone 877-ICC-ICC3 FAX 800-814-8883

EMGLO

TUNE UP KITS VSTUK's with Wearing Valve Parts.

To simplify ordering parts for single machine repair, VSTUK's have been assembled which include Gasket Kit, Piston Ring Kit, ALL Valve Parts, Oil Seal, Air Filters (and unloader Assemblies for "U" versions), to recondition one compressor.

NOTE: ICC Kits include the Oil Seal and do not include the Breather Valve, EMGLO Kits do not include the Oil Seal, but do include the Breather Valve. Kits with a "G" after the model number include the G54E filter. Others include the L54E filter.

EMGLO PART NO.	I.C.C. PART NO.
EQ101	VSTUK-EQ-EM
	VSTUK-EQ-G-EM
EQU101	VSTUK-EQU-EM
	VSTUK-EQU-G-EM
F101	VSTUK-F-EM
	VSTUK-F-G-EM
FU101	VSTUK-FU-EM
	VSTUK-FU-G-EM
	VSTUK-G-EM
G101	VSTUK-G-G-EM
	VSTUK-GU-EM
GU101	VSTUK-GU-G-EM
	VSTUK-GT-EM
GT101	VSTUK-GT-G-EM
	VSTUK-GTU-EM
GTU101	VSTUK-GTU-G-EM
J101	VSTUK-J-EM
J101G	VSTUK-J-G-EM
JU101	VSTUK-JU-EM
JU101G	VSTUK-JU-G-EM
K101	VSTUK-K-EM
K101G	VSTUK-K-G-EM
KU101	VSTUK-KU-EM
KU101G	VSTUK-KU-G-EM
	VSTUK-L-EM
	VSTUK-L-G-EM
	VSTUK-LU-EM
	VSTUK-LU-G-EM
W101	VSTUK-W-EM
W101G	VSTUK-W-G-EM
WU101	VSTUK-WU-EM
WU101G	VSTUK-WU-G-EM
	VSTUK-Y-EM
Y101	VSTUK-Y-G-EM
	VSTUK-YU-EM
YU101	VSTUK-YU-G-EM
Model R	Order Parts for Model 335 Kellogg
Model T	Order Parts for Model 462 Kellogg
Model U	Order Parts for Model 452 Kellogg



Compressor Lubricants

Gallon Bottles

We are now stocking lubricants in gallon bottles. Prices are for case of 6 gallon pails shipped in a double boxed carton.

BASE OIL	ISO	ICC PART NO.	I.C.C. PRICES	
			1-5	6 & UP
Blend (PAO & Petroleum)	46	LUBE-B46-1-ICC	24.00	23.50
PAO	46	LUBE-P46-1-ICC	34.00	33.30
Diester	100	LUBE-D100-1-ICC	43.35	41.18
Diester	125/150	LUBE-D150-1-ICC	44.40	43.50
PAO FG	32/46	LUBE-FGL46-1-ICC	41.70	37.05
Polyglycol/Ester	32	LUBE-SL32-1-ICC	41.40	40.55
Polyglycol/Ester		LUBE-ULTRA-1-ICC	43.00	42.15
Petroleum	100	LUBE-ND30-1-ICC	20.40	19.95

Quart Bottles

Reciprocating Compressor High Quality Petroleum Non Detergent Lubricant.

Air Compressor Petroleum Oil, SAE Grade 30, Viscosity Index 100. This lubricant is good for all small reciprocating air compressors.

Reciprocating Compressor Synthetic Lubricant.

Air Compressor Synthetic Oil, SAE Grade 40, Viscosity Index 150. This lubricant is good for all small reciprocating air compressors running on Synthetic Lubricant. This is a Diester based Lubricant. This is a replacement for Ingersoll Rand Type-30 Select and Quincy Quin CIP-D.

	I.C.C. PART NUMBER	I.C.C. PRICES	
		1-5	6 & UP
Single Quart Petroleum	LUBE-ND30-QRT-ICC	6.50	6.35
Case 12 – 1 Qt Petroleum	LUBE-ND30-12QRT-ICC	76.00	74.45
Single Quart Synthetic	LUBE-D150-QRT-ICC	12.20	11.95
Case 12 – 1 Qt Synthetic	LUBE-D150-12QRT-ICC	143.25	140.40

Long-Life Synthetic H-1 Food Grade Compressor Lubricants

Independent Components Corp. introduces a new line of synthetic Food Grade compressor lubricants fortified with unique additives to increase life under conditions where other Food Grade synthetic oils may not be suitable. The additive package used in these lubricants produces greatly improved wear, oxidation and lubricity. These new products **LUBE FGL46** and **LUBE FGL68**, are a generation above our regular Food Grade lubricants and other competitive Food Grade Lubricants. They are designed to satisfy the requirements of flooded rotary screw and reciprocating compressor.

The unique additives are designed to meet all of the requirements of an incidental contact food application per FDA 21 CFR 178.3570. Under normal operating conditions, this new generation of Food Grade Lubricants will outlast other synthetic Food Grade H-1 lubricants by 50% to 100%. If the older generation product lasted 2,000 to 3,000 hours, you can expect our **LUBE FGL** to last 3,000 to 6,000 hours.

LUBE-FGL46 replaces **LUBE-FG32** and **LUBE-FG46**

LUBE-FGL68 replaces **LUBE-FG68**

Note the traditional **LUBE-FG32**, **LUBE-FG46** & **LUBE-FG68** will continue to be available.

We label all Pails and Drums of Oil with YOUR Company Name, Address and information.

See sample on page 9.



Compressor Lubricants

Independent Components Corp. offers premium grade lubricants, as measured by ASTM test methods at competitive prices. Below is a short description of each type of lubricant we stock. Please contact us for more details if needed.

- ⇒ **ATF** – Oil is formulated for use in rotary screw compressors.
- ⇒ **BLEND** – Oil is an economical combination of synthetic PAO and Premium Petroleum Oils. This oil has most of the advantages of PAO and is used in applications where the oil is changed more often. Normal service life is 4000 hours.
- ⇒ **DIESTER** – Based oils are used in a wide variety of air compressors. Our LUBE-D32-ICC, LUBE-D46-ICC and LUBE-D68-ICC are formulated for long life in rotary screw, rotary vane and reciprocating compressors. Our LUBE-D100-ICC and LUBE-D150-ICC are formulated for upper cylinder and crankcase lubrication of reciprocating compressors. Reciprocating compressors operate more efficiently with the use of these lubricants. LUBE-D100-ICC is also good for use in rotary vane compressors. Normal service life is 4,000 hours for rotary vanes, 8,000 hours in rotary screws and reciprocating compressors.
- ⇒ **GOLD (SILICONE)** – Is a premium synthetic silicone compressor fluid for rotary screw compressors. This product is specifically formulated with silicone base fluids and additives to perform over an extremely long period of time. It is fortified against rust, corrosion and oxidation and wear.
- ⇒ **PAO** – (Polyalphaolefin), Formulated from 100% Synthetic Hydrocarbon Oils are widely used in many rotary screw applications. These are formulated with the highest quality PAO base fluids. These oils are compatible with paints, seals, and elastomers. Normal service life is 8000 hours.
- ⇒ **PAO FG** – Is a synthetic food grade compressor oil that is formulated with the highest quality PAO base oil. This Oil is USDA H-1 rated. It meets all requirements under FDA Regulation 21 CFR 172.878 and 178.3570. Normal service life is 2,000 hours. These products are certified Kosher and Halal.
- ⇒ **FGL** – Long Life Food Grade Oil is USDA H-1 rated. It meets all requirements under FDA Regulation 21 CFR 172.878 and 178.3570. Normal service life is 3,000 to 6,000 hours.
- ⇒ **PLUS** – is based on a very thermally and oxidatively stable polyol ester blend. It is designed for rotary screw and vane compressors. These oils are formulated to be less likely to form varnish under high temperature applications and to be more resistant to acidic intake air than are polyalkylene glycol coolants. Normal service life is up to 12,000 hours.
- ⇒ **POLYGLYCOL and ESTER** – These are the original polyglycol (PAG)/diester blends developed to replace I.R. Ultracoolant® and Sullube 32®. In use for over fifteen years, these coolants work well with an 8,000 hour life in good operating conditions. Applications of high humidity, heat, or other adverse conditions may result in shorter life.
- ⇒ **PE COOLANT**– Developed recently, after the expiration of the patent on I.R. Ultracoolant® and Sullube 32® these products utilize a polyol pentaerythritol (PE) ester with a unique PAG and additive system designed to replicate the original products. These should be used for higher temperature operations or adverse conditions.
- ⇒ **POLYOL ESTER** – Synthetic rotary vane and screw compressors designed with new additive technology for long life (up to 10,000 hours) Polyol Esters are superior to petroleum, PAO, or synthetic diesters, they have outstanding thermal stability and built in detergency action. It has extended drain intervals that reduces oil disposal, therefore increasing its cost effectiveness. This lubricant is generally recognized as being biodegradable and virtually nontoxic. Same base fluid as used in jet aviation.
- ⇒ **PETROLEUM NON DETERGENT** – Oil is formulated for use in reciprocating compressors.
- ⇒ **PETROLEUM HIGH DETERGENT** – Oil is formulated for use in rotary screw compressors.
- ⇒ **PTEC** – Is made from a severely hydro-treated, hydro-cracked hydrocarbon base fluid and designed especially for portable rotary screw compressors.
- ⇒ **S Series** – Is a full synthetic lubricant for rotary screw air compressors and vacuum pumps. S Series utilizes the latest technology available in combination with excellent lubricant additives to provide the performance of a synthetic at a less expensive cost. This lubricant is made from a severely hydro-cracked hydrocarbon base fluid. It is designed for a service life of 6,000.
- ⇒ **VACUUM PUMP**– Oil is designed for use in liquid ring vacuum pumps. They are based on severely hydrotreated paraffinic oils with a superior additive package that includes antioxidants, anti-wear, corrosion protection and pour depressants.

Note that normal service life of any manufacturer's oil is under ideal conditions.

Safety Data Sheets are available upon request

The information in this catalog is, to the best of our knowledge accurate, but all recommendations or suggestions in this catalog, by fax, e-mail or verbally are made without guarantee.

Independent Components Corp. Is an independent supplier of compressor replacement parts and is not affiliated with manufacturers mentioned in this catalog. The original manufacturers product description and/or part number is given for reference only.



INDEPENDENT COMPONENTS CORP.

528 Hempstead Turnpike, West Hempstead, NY 11552 • Phone 516-481-5100 FAX 516-481-5550
www.iccparts.com sales@iccparts.com • Toll Free: Phone 877-ICC-ICC3 FAX 800-814-8883

Compressor Lubricants

BASE OIL	ISO	ICC PART NO.	5 Gallon Pails /Pail	55 Gallon Drums /Drum
Blend (PAO & Petroleum)	46	LUBE-B46-#-ICC		
Diester	32	LUBE-CLEAN-#-ICC		
Diester	32	LUBE-D32-#-ICC		
Diester	46	LUBE-D46-#-ICC		
Diester	68	LUBE-D68-#-ICC		
Diester	100	LUBE-D100-#-ICC		
Diester	125/150	LUBE-D150-#-ICC		
PAO FG	32	LUBE-FG32-#-ICC		
PAO FG	46	LUBE-FG46-#-ICC		
PAO FG	68	LUBE-FG68-#-ICC		
PAO FG	100	LUBE-FG100-#-ICC		
PAO FG	32/46	LUBE-FGL46-#-ICC		
PAO FG	68	LUBE-FGL68-#-ICC		
Silicone	46	LUBE-GOLD-#-ICC		
PAO	220	LUBE-GP220-#-ICC		
PAO	32	LUBE-P32-#-ICC		
PAO	46	LUBE-P46-#-ICC		
PAO	68	LUBE-P68-#-ICC		
PAO	100	LUBE-P100-#-ICC		
PLUS	46	LUBE-PLUS46-#-ICC		
PLUS	68	LUBE-PLUS68-#-ICC		
Synthetic	32	LUBE-32S-#-ICC		
Synthetic	46	LUBE-46S-#-ICC		
Synthetic	68	LUBE-68S-#-ICC		
Polyglycol/Ester	32	LUBE-SL32-#-ICC		
Polyglycol/Ester	32	LUBE-SL-PE-#-ICC		
Polyglycol/Ester		LUBE-ULTRA-#-ICC		
Polyglycol/Ester		LUBE-ULTRA-PE-#-ICC		
Polyolester	32	LUBE-POLY32-#-ICC		
Polyolester	46	LUBE-POLY46-#-ICC		
Polyolester	68	LUBE-POLY68-#-ICC		
Petroleum Vacuum	32	LUBE-V22-#-ICC		
Petroleum Non Detergent	46	LUBE-ND20-#-ICC		
Petroleum Non Detergent	100	LUBE-ND30-#-ICC		
Petroleum Non Detergent	150	LUBE-ND40-#-ICC		
Petroleum High Detergent	32	LUBE-HD10-#-ICC		
Petroleum High Detergent	46	LUBE-HD20-#-ICC		
Petroleum High Detergent	100	LUBE-HD30-#-ICC		
Petroleum ATF		LUBE-ATF-#-ICC		

Please call customer service at 516-481-5100 or email us at sales@iccparts.net for pricing

NOTE: Replace the # sign with 5 for a Pail or 55 for a Drum.

**We label all Pails and Drums of Oil with YOUR Company Name, Address and information.
See sample on page 9.**

3% Discount for 9 or more 5 gallon pails Different Full Synthetic Lubricants can be combined for Quantity Discounts

We now can ship 5 gallon pails in corrugated cartons. This saves the handling charge from UPS & Fedex charge. We pass along the cost of the carton which is minimal. Please indicate when you want pails shipped in cartons.

Lubricant Prices subject to change without notice due to market conditions

The information in this catalog is, to the best of our knowledge accurate, but all recommendations or suggestions in this catalog, by fax, e-mail or verbally are made without guarantee.

Independent Components Corp. Is an independent supplier of compressor replacement parts and is not affiliated with manufacturers mentioned in this catalog. The original manufacturers product description and/or part number is given for reference only.



INDEPENDENT COMPONENTS CORP.

528 Hempstead Turnpike, West Hempstead, NY 11552 • Phone 516-481-5100 FAX 516-481-5550
www.iccparts.com sales@iccparts.com • Toll Free: Phone 877-ICC-ICC3 FAX 800-814-8883

Compressor Lubricants Cross Reference

<u>55 Gallon Drum</u>	<u>5 Gallon Pail</u>	OEM DESCRIPTION	BASE OIL	ISO	I.C.C. PART NO.
OEM PART NO.	OEM PART NO.				
Amoco					
		Amokon 32	Petroleum	32	LUBE-32S-#-ICC
		Syntholube SL100	Diester	100	LUBE-D100-#-ICC
		Syntholube SL32	Diester	32	LUBE-D32-#-ICC
		Syntholube SL68	Diester	68	LUBE-D68-#-ICC
Anderol					
		Premium Plus	Polyolester	46	LUBE-POLY46-#-ICC
		46 Supreme	PAO	46	LUBE-P46-#-ICC
		Anderol 465	Diester	32	LUBE-D32-#-ICC
		Anderol 495	Diester	32	LUBE-D32-#-ICC
		Anderol 496	Diester	46	LUBE-D46-#-ICC
		Anderol 497	Diester	68	LUBE-D68-#-ICC
		Anderol 500	Diester	100	LUBE-D100-#-ICC
		Anderol 555	Diester	100	LUBE-D100-#-ICC
		Anderol 750	Diester	150	LUBE-D150-#-ICC
		Anderol 755	Diester	150	LUBE-D150-#-ICC
		Anderol 3032	PAO	32	LUBE-P32-#-ICC
		Anderol 3046	PAO	46	LUBE-P46-#-ICC
		Anderol 3068	PAO	68	LUBE-P68-#-ICC
		Anderol 3100	PAO	100	LUBE-P100-#-ICC
		Anderol 4100	PAO	100	LUBE-P100-#-ICC
		Anderol FGC-10	PAO (H-1)	32	LUBE-FG32-#-ICC
		Anderol FGC-20	PAO (H-1)	46	LUBE-FG46-#-ICC
		Anderol FGC-30	PAO (H-1)	68	LUBE-FG68-#-ICC
		Anderol FGC-100	PAO (H-1)	100	LUBE-FG100-#-ICC
		Anderol FGC-150	PAO (H-1)	150	LUBE-FG150-#-ICC
		Anderol S32	Semi Synthetic	32	LUBE-32S0-#-ICC
		Anderol S46	Semi Synthetic	46	LUBE-B46-#-ICC
		Anderol S68	Semi Synthetic	68	LUBE-B68-#-ICC
Atlas Copco					
1310-2550-16	1310-2550-14	AC-PG	Polyglycol/PE	46	LUBE-ULTRA-PE-#-ICC
1310-2019-61	1310-2019-62	GA 4K	Partial Synthetic	46	LUBE-B46-#-ICC
1310-2019-63	1310-2019-64	GA 8K	PAO	46	LUBE-P46-#-ICC
		GA FG	PAO (H-1)	32	LUBE-FG46-#-ICC
		Roto FG-Xtend	PAO (H-1)	46	LUBE-FGL46-#-ICC
1310-2509-45	1310-2509-46	GA OK	Diester	32	LUBE-CLEAN-#-ICC
1310-2550-12	1310-2550-10	HD Roto Fluid	PAO	46	LUBE-46S-#-ICC
1310-2153-39	1310-2153-38	HD Roto Fluid Plus	PAO	32	LUBE-46S-#-ICC
1310-0368-39	1310-0368-38	Roto Xtend	PAO	46	LUBE-P46-#-ICC
		Roto Z	PAO	68	LUBE-68S-#-ICC
		Roto Extreme	Polyolester	46	LUBE-POLY46-#-ICC
		Roto-Inject Fluid	Petroleum	46	LUBE-HD20-#-ICC
Becker					
		PS-100	PAO	100	LUBE-VPSH100-#-ICC
		SS-100	Semi Synthetic	100	LUBE-VPS100-#-ICC
Busch					
		R-530	Petroleum	SAE 30	LUBE-VP100-#-ICC
		R-580	PAO	46	LUBE-VPSH46-#-ICC
		R-590	Semi Synthetic	100	LUBE-VPS100-#-ICC
		VE-101	Diester	100	LUBE-D100-#-ICC
		VM-022	Mineral Oil	22	LUBE-V22-#-ICC
		VM-032	Mineral Oil	32	LUBE-V32-#-ICC
		VM-100	Mineral Oil	100	LUBE-VP100-#-ICC
		VSL-032	PAO	32	LUBE-FG32-#-ICC
		VSL-032	PAO	68	LUBE-FG68-#-ICC
		VSL-032	PAO	100	LUBE-FG100-#-ICC

**Compressor Lubricants Cross Reference**

<u>55 Gallon Drum</u>	<u>5 Gallon Pail</u>				
OEM PART NO.	OEM PART NO.	OEM DESCRIPTION	BASE OIL	ISO	I.C.C. PART NO.
Champion					
		ChampLube	Petroleum	100	LUBE-ND30-#-ICC
		ChampLube Food Grade	PAO (H-1)	100	LUBE-FG100-#-ICC
		ChampLube Synthetic	Diester	100	LUBE-D100-#-ICC
		RotorLub 4000	Semi Synthetic	46	LUBE-B46-5-#-ICC
P8906A	P8905A	RotorLub 8000	PAO	46	LUBE-P46-#-ICC
		RotorLub 8000 TH	PAO	68	LUBE-P68-#-ICC
P9119A	P9118A	RotorLub 4000FG	PAO (H-1)	46	LUBE-FG46-#-ICC
		Comp Clean II	Diester	32	LUBE-CLEAN-#-ICC
Chevron					
		Cetus Hipersyn 46	Semi Synthetic	46	LUBE-B46-#-ICC
		Cetus GST 32	Petroleum	32	LUBE-HD10-#-ICC
		Cetus GST 46	Petroleum	46	LUBE-HD20-#-ICC
		Cetus GST 100	Petroleum	68	LUBE-HD30-#-ICC
		Synthetic Compressor FM PAO (H-1)	PAO	46	LUBE-FG46-#-ICC
		Syntholube 32	Diester	32	LUBE-D32-#-ICC
		Syntholube 68	Diester	32	LUBE-D68-#-ICC
		Syntholube 100	Diester	32	LUBE-D100-#-ICC
		Tegra Fluid C32	PAO	32	LUBE-P32-#-ICC
		Tegra Fluid C68	PAO	68	LUBE-P68-#-ICC
		Tegra Fluid C100	PAO	100	LUBE-P100-#-ICC
Chicago Pneumatic					
6215714100 †					
		Screwguard Rotair	Petroleum	46	LUBE-HD20-#-ICC
		Screwguard Rotair Plus	Semi Synthetic	46	LUBE-B46-#-ICC
		Screwguard Rotair Xtra	PAO	46	LUBE-P46-#-ICC
Compair/Kellogg					
		Air Lube 46	PAO	46	LUBE-P46-#-ICC
		Air Lube DE 20	Diester	68	LUBE-D68-#-ICC
		Air Lube DE 20	Diester	100	LUBE-D100-#-ICC
		Air Lube DE 20	Diester	150	LUBE-D150-#-ICC
		Complube 10	PAO/Ester	46	LUBE-PLUS46-#-ICC
		Complube 4000	Semi Synthetic	46	LUBE-B46-#-ICC
		Complube 4000 FG	PAO (H-1)	46	LUBE-FG68-#-ICC
		Complube 8000	PAO	46	LUBE-P46-#-ICC
		Complube 8000 HT	PAO	68	LUBE-P68-#-ICC
0159202	0159201	CS-100	Diester	32	LUBE-D32-#-ICC
0159205	0159204	CS-200	Diester	68	LUBE-D68-#-ICC
0074385	0074384	CS-300	Diester	100	LUBE-D100-#-ICC
0074388	0074387	CS-400	Diester	150	LUBE-D150-#-ICC
		CS-5000	Diester	68	LUBE-D68-#-ICC
		CSX-20 FG	FG PAO	46	LUBE-FG46-#-ICC
		Hydrovane 2000	Diester	100	LUBE-D30-#-ICC
		Fluid Force 4000	Semi Synthetic	46	LUBE-B46-#-ICC
		Fluid Force Red	Diester	100	LUBE-D100-#-ICC
		Fluid Force Red UK	Petroleum	100	LUBE-HD30-#-ICC
		Reavellite	Diester	100	LUBE-D100-#-ICC
		Rosyn HE5000P	Diester	100	LUBE-D100-#-ICC
Curtis (Redmax)					
VO-411-1	VO-411	RC-1000	Petroleum	68	LUBE-HD30-#-ICC
VO-421-1	VO-421	RC-1000-A	Petroleum	100	LUBE-HD40-#-ICC
VO-413-1	VO-413	RS-2000	Petroleum	46	LUBE-HD20-#-ICC
VO-414-1	VO-414	RS-8000	PAO	46	LUBE-P46-#-ICC
VO-416-1	VO-416	RS-4000FG	FG PAO	46	LUBE-FG46-#-ICC
VO-422-1	VO-422	RS-12000	PAO/Ester	46	LUBE-POLY46-#-ICC
Doosan					
		XHP-405	Semi Synthetic	68	LUBE-B68-#-ICC

Independent Components Corp. Is an independent supplier of compressor replacement parts and is not affiliated with manufacturers mentioned in this catalog. The original manufacturers product description and/or part number is given for reference only.



INDEPENDENT COMPONENTS CORP.

528 Hempstead Turnpike, West Hempstead, NY 11552 • Phone 516-481-5100 FAX 516-481-5550
www.iccparts.com sales@iccparts.com • Toll Free: Phone 877-ICC-ICC3 FAX 800-814-8883

Compressor Lubricants Cross Reference

<u>55 Gallon Drum</u>	<u>5 Gallon Pail</u>	OEM	BASE OIL	ISO	I.C.C. PART NO.
OEM PART NO.	OEM PART NO.	DESCRIPTION			
Dresser (Roots)					
		Vac Pump	PAO	220	LUBE-GP22-#-ICC
DV Systems (DeVillbiss)					
		DEV-3000	PAO	46	LUBE-P46-#-ICC
Dekker Vacuum Technologies					
		Duratex Synthetic Rotary Vane	PAO	32	LUBE-P32-#-ICC
		Duratex Synthetic Rotary Vane	PAO	68	LUBE-P68-#-ICC
		Duratex Synthetic Rotary Vane	PAO	100	LUBE-P100-#-ICC
		Vmaxol	Petroleum	32	LUBE-V22-#-ICC
		Vmaxol Styrene	PAO	32	LUBE-32S-#-ICC
EMGLO					
		Synthetic Blue	PAO	100	LUBE-P100-#-ICC
Exxon					
		Synesstic 32	Diester	32	LUBE-D32-#-ICC
		Synesstic 68	Diester	32	LUBE-D68-#-ICC
		Synesstic 100	Diester	32	LUBE-D100-#-ICC
		Synesstic 150	Diester	32	LUBE-D150-#-ICC
		Terresstic SHP 32	PAO	32	LUBE-P32-#-ICC
		Terresstic SHP 46	PAO	46	LUBE-P46-#-ICC
		Terresstic SHP 68	PAO	68	LUBE-P68-#-ICC
		Terresstic SHP 100	PAO	100	LUBE-P100-#-ICC
		Terresstic SHP 220	PAO	220	LUBE-GP22-#-ICC
GARDNER DENVER / JOY					
28-G-19	28-G-13	AEON 500	Petroleum	100	LUBE-ND30-#-ICC
28-G-8	28-G-7	AEON 800	Partial Synthetic	32	LUBE-B32-#-ICC
28-G-36	28-G-37	AEON 2000	Hydrotreated Pet.	46	LUBE-S46-#-ICC
28-G-15	28-G-14	AEON 5000	Diester	100	LUBE-D100-#-ICC
28-H-35	28-H-39	AEON 6000 FG 46	PAO FG	46	LUBE-FG46-#-ICC
28-H-314	28-H-315	AEON 6000 FG 68	PAO FG	46	LUBE-FG68-#-ICC
28-G-10		AEON 8000	Diester	68	LUBE-D68-#-ICC
28-G-30	28-G-29	AEON 9000	PAO	46	LUBE-P46-#-ICC
28-H-110	28-H-109	AEON 9000 SP	PAO	46	LUBE-P46-#-ICC
		AEON 9000 TH	PAO/Ester	46	LUBE-PLUS46-#-ICC
28-H-217	28-H-219	AEON AC FG	PAO H-1	100	LUBE-FG100-#-ICC
28-H-214	25-H-216	AEON AC SY	Diester	100	LUBE-D100-#-ICC
28-H-103	28-H-102	AEON BIO	Polyolester		LUBE-POLY46-#-ICC
28-G-28	25-G-25	AEON PD	PAO	220	LUBE-GP220-#-ICC
		AEON PG	Polyglycol/Ester		LUBE-ULTRA-#-ICC
28-H-88	28-H-87	Comp Clean II	Diester	32	LUBE-CLEAN-#-ICC
		SYN-FLO 70	Diester	32	LUBE-D32-#-ICC
543381-211	543381-209	SYN-FLO 80	PAO	46	LUBE-P46-#-ICC
		SYN-FLO 90	Diester	100	LUBE-D100-#-ICC
Grimmer Schmidt					
		GSL-4	Partial Synthetic	32	LUBE-B32-#-ICC
		GSL-8	PAO	32	LUBE-P32-#-ICC

**We label all Pails and Drums of Oil with YOUR Company Name, Address and information.
See sample on page 9.**

The information in this catalog is, to the best of our knowledge accurate, but all recommendations or suggestions in this catalog, by fax, e-mail or verbally are made without guarantee.

Independent Components Corp. Is an independent supplier of compressor replacement parts and is not affiliated with manufacturers mentioned in this catalog. The original manufacturers product description and/or part number is given for reference only.



INDEPENDENT COMPONENTS CORP.

528 Hempstead Turnpike, West Hempstead, NY 11552 • Phone 516-481-5100 FAX 516-481-5550
www.iccparts.com sales@iccparts.com • Toll Free: Phone 877-ICC-ICC3 FAX 800-814-8883

Compressor Lubricants Cross Reference

<u>55 Gallon Drum</u>	<u>5 Gallon Pail</u>				
OEM PART NO.	OEM PART NO.	OEM DESCRIPTION	BASE OIL	ISO	I.C.C. PART NO.
INGERSOLL RAND					
		All Season Select	Diester	100	LUBE-D100-#-ICC
		G-Cool	Polyglycol/Ester		LUBE-ULTRA-#-ICC
		Silicone	Silicone		LUBE-GOLD-#-ICC
38245494	38245502	SSR Coolant	Diester	68	LUBE-D68-#-ICC
39118286	39118294	SSR Ultra Coolant	Polyglycol/Ester		LUBE-ULTRA-#-ICC
39433743	39433735	SSR Ultra Coolant	Polyglycol/PE		LUBE-ULTRA-PE-#-ICC
39433743	39433735	SSR Ultra Plus	Polyolester	32	LUBE-POLY32-#-ICC
39161526	39161534	XL 700	Diester	100	LUBE-D100-#-ICC
39163274	39163266	XL 740 HT	Diester	150	LUBE-D150-#-ICC
		XL T30 Select	Diester	150	LUBE-D150-#-ICC
39433719	39433883	SSR H-1 Food Grade	FG PAO	32	LUBE-FG32-#-ICC
39192661	39192653	Anderol 500	Diester	100	LUBE-D100-#-ICC
		Pro-Tec	Hydrotreated Pet.	32	LUBE-PTEC-#-ICC
39236328		Rotalube 1000	Petroleum	46	LUBE-HD30-#-ICC
32318875	32318883	T-30 Select	Diester	150	LUBE-D150-#-ICC
23973977		Ultra FG	PAO H-1	46	LUBE-FG46-#-ICC
38434304	38434312	X-Tend 32 FG Coolant	PAO H-1	32	LUBE-FG32-#-ICC
38433108	38433116	X-Tend 46 FG Coolant	PAO H-1	46	LUBE-FG46-#-ICC
		XHP 505	PAO	68	LUBE-P68-#-ICC
22252076	22252050	XHP 605	PAO/Ester	68	LUBE-PLUS68-#-ICC
KAESER					
466R	466R	ISO 46	Diester	46	LUBE-D46-#-ICC
687R	687R	ISO 68	Diester	68	LUBE-D68-#-ICC
150P	150P	ISO 100	Diester	100	LUBE-D100-#-ICC
175P	175P	ISO 150	Diester	150	LUBE-D150-#-ICC
M-460	M-460	Sigma M460	Partial Synthetic	46	LUBE-B46-#-ICC
S-100	S-100	Sigma S-100	Diester	100	LUBE-D100-#-ICC
S-150	S-150	Sigma S-150	Diester	150	LUBE-D150-#-ICC
S-320	S-320	Sigma S-320	PAO	32	LUBE-P32-#-ICC
S-460	S-460	Sigma S-460	PAO	46	LUBE-P46-#-ICC
S-680	S-680	Sigma S-680	PAO	68	LUBE-P68-#-ICC
FG-460	FG-460	Sigma FG-460	FG PAO	46	LUBE-FG46-#-ICC
KINNEY VACUUM					
203049-0000	203040-0000	LR Oil	Petroleum	32	LUBE-V32-#-ICC
203082-0000	203080-0000	AX Oil	Petroleum	68	LUBE-VP68-#-ICC
LEROI					
		SSL 32	Petroleum	46	LUBE-HD20-#-ICC
		SSL 38	Petroleum	46	LUBE-HD20-#-ICC
204-1092-55	204-1092-5	SSL 46	PAO	46	LUBE-P46-#-ICC
		SSL 46 Plus	PAO	46	LUBE-P46-#-ICC
204-1368-55	204-1368-5	SSL 35F	PAO H-1	32	LUBE-FG32-#-ICC
204-1584-55	204-1584-5	SSL 50	Blend	68	LUBE-B46-#-ICC
204-1921-55	204-1921-5	CompLube 10	PAO/Ester	68	LUBE-PLUS68-#-ICC
204-1461-55	204-1461-5	Cleaner	Diester	32	LUBE-CLEAN-#-ICC

We label all Pails and Drums of Oil with YOUR Company Name, Address and information.

See sample on page 9.

The information in this catalog is, to the best of our knowledge accurate, but all recommendations or suggestions in this catalog, by fax, e-mail or verbally are made without guarantee.

Independent Components Corp. Is an independent supplier of compressor replacement parts and is not affiliated with manufacturers mentioned in this catalog. The original manufacturers product description and/or part number is given for reference only.



INDEPENDENT COMPONENTS CORP.

528 Hempstead Turnpike, West Hempstead, NY 11552 • Phone 516-481-5100 FAX 516-481-5550
www.iccparts.com sales@iccparts.com • Toll Free: Phone 877-ICC-ICC3 FAX 800-814-8883

Compressor Lubricants Cross Reference

<u>55 Gallon Drum</u>		<u>5 Gallon Pail</u>				
OEM PART NO.	OEM PART NO.	OEM DESCRIPTION	BASE OIL	ISO	I.C.C. PART NO.	
MATTEI						
		Rotoroil 8000 F2	Diester	100	LUBE-D100-#-ICC	
PALATEK						
00061-055	00061-005	Palasyn 45	PAO	46	LUBE-P46-#-ICC	
00051-055A	00051-005A	AFX 32	Polyolester	32	LUBE-POLY32-#-ICC	
00064-055	00064-005	Pallube	Polyglycol	32	LUBE-SL32-#-ICC	
QUINCY						
127462-055	127462-005	QuinCip D	Diester	100	LUBE-D100-#-ICC	
141140-055	141140-005	Quinsyn	PAO	46	LUBE-P46-#-ICC	
110756-055	110756-005	Quinsyn IV	Blend	46	LUBE-B46-#-ICC	
128542-005		Quinsyn FG	FG PAO	46	LUBE-FG46-#-ICC	
140506-055	140506-005	Quinsyn Flush	Diester	32	LUBE-FLUSH-#-ICC	
143808-055	143808-005	Quinsyn HP	Polyolester	46	LUBE-POLY46-#-ICC	
144046-055	144046-005	Quinsyn PG	Polyglycol		LUBE-SL32-#-ICC	
142784-055	142784-005	Quinsyn Plus	PAO/Ester	46	LUBE-PLUS46-#-ICC	
		Quinsyn XP	Polyolester	68	LUBE-POLY68-#-ICC	
		QuinSyn Edge	POE Blend	46	LUBE-PLUS46-#-ICC	
		QuinSyn Endura	POE	46	LUBE-POLY46-#-ICC	
		QuinSyn Flex	PAO	46	LUBE-P46-#-ICC	
		QuinSyn Prime	PAG	46	LUBE-ULTRS-#-ICC	
ROOTS						
		Blower oil	PAO	220	LUBE-GP220-#-ICC	
SULLAIR						
250022-670	250022-669	Sullube 32	Polyglycol/Ester	32	LUBE-SL32-#-ICC	
250022-670	250022-669	Sullube 32	Polyglycol/PE	32	LUBE-SLPE-#-ICC	
241443-002	241443-001	LLL 4 32	PAO	32	LUBE-P32-#-ICC	
249775-002	249775-001	LLL 4 46	PAO	46	LUBE-P46-#-ICC	
250029-013	250029-012	LLL 4 100	PAO	100	LUBE-P100-#-ICC	
250019-663	250019-662	SRF I14000	Partial Synthetic	46	LUBE-B46-#-ICC	
0250118-162	0250118-160	SRF II/8000	Semi Synthetic		LUBE-32S-#-ICC	
46850-002	46850-001	24 KT	Silicone	46	LUBE-GOLD-#-ICC	
SUMMIT						
		DSL-46	Diester	46	LUBE-D46-#-ICC	
		DSL-68	Diester	68	LUBE-D68-#-ICC	
		DSL-100	Diester	100	LUBE-D100-#-ICC	
		DSL-150	Diester	150	LUBE-D150-#-ICC	
		FG-46	PAO (H-1)	46	LUBE-P46-#-ICC	
		PS-100	Partial Synthetic	46	LUBE-B46-#-ICC	
		SH-46	PAO	46	LUBE-P46-#-ICC	
		SH-68	PAO	68	LUBE-P68-#-ICC	
		SH-100	PAO	100	LUBE-P100-#-ICC	
		Supra Coolant	Polyglycol	46	LUBE-P46-#-ICC	
		Supra 32	Polyglycol	32	LUBE-SL32-#-ICC	
		Ultima	Polyolester	46	LUBE-PLUS46-#-ICC	

Call for additional Summit Interchanges

NOTE: Replace the # sign with 5 for a Pail or 55 for a Drum.

Lubricants are available for other compressors, Please call

We label all Pails and Drums of Oil with YOUR Company Name, Address and information.

See sample on next page

The information in this catalog is, to the best of our knowledge accurate, but all recommendations or suggestions in this catalog, by fax, e-mail or verbally are made without guarantee.

Independent Components Corp. Is an independent supplier of compressor replacement parts and is not affiliated with manufacturers mentioned in this catalog. The original manufacturers product description and/or part number is given for reference only.



Sample of label placed on ALL 5 Gallon Pails of Oil

Your Company Name, Web Site, Name of Lubricant, Description of Lubricant at the top, and Your Company Name, Address & Phone Number at the bottom will be customized for all Oil that you purchase from ICC



Similar but smaller labels will be made for Quart and Gallon containers.

Note: ALL ICC cross-references are made to lubricants that are as close to the OEM products as possible, with all significant specifications are *the same* as the OEM's. Some of our competitors cross reference their lubricants to *different*, less expensive alternative oils that may work in most compressors, but do NOT have the same specifications, and my not be the same type of lubricant as the OEM oil. If you need these different, less expensive alternatives, please contact us for part numbers and pricing.



INDEPENDENT COMPONENTS CORP.

528 Hempstead Turnpike, West Hempstead, NY 11552 • Phone 516-481-5100 FAX 516-481-5550
www.iccparts.com sales@iccparts.com • Toll Free: Phone 877-ICC-ICC3 FAX 800-814-8883

This page Intentionally left Blank



INDEPENDENT COMPONENTS CORP.

528 Hempstead Turnpike, West Hempstead, NY 11552 • Phone 516-481-5100 FAX 516-481-5550
www.iccparts.com sales@iccparts.com • Toll Free: Phone 877-ICC-ICC3 FAX 800-814-8883

Safety & Check Valves

I.C.C. PART NO.

I.C.C. PART NO.

Kingston A.S.M.E. High Capacity Safety Valve The Kingston 710 side outlet safety valve. High flow capacities are achieved through full-lift design. Lever for manual testing. Fully guided stem provides superior re-seating accuracy. Soft seat design, stock valves use silicone seats, other materials also available. Inlet from 1/2" to 1", outlet 3/4 or 1" Available pressure setting up to 400 psig. Settings and CFMs follow:

SV-710-1/2 x 3/4x PSIG	1/2" MPT inlet, 3/4" outlet
SV-710-3/4 x 3/4 x PSIG	3/4" MPT inlet, 3/4" outlet
SV-710-1/2 x 1 x PSIG	1/2" MPT inlet, 1" outlet
SV-710-3/4 x 1 x PSIG	3/4" MPT inlet, 1" outlet
SV-710-1 x 1 x PSIG	1" MPT inlet, 1" outlet

PSIG	CFM	PSIG	CFM
125	334	175	455
135	358	200	516
150	395	300	758



Kingston A.S.M.E. High Capacity Safety Valve The Kingston 118CSS high capacity safety valve is precision machined brass valve with a hard seat. It features a stainless steel ball and a pull ring for manual testing. This valve is approved in Massachusetts and Washington DC and is stamped with UV & NB symbols. Registered in all Canadian provinces. 400°F max temperature. Available in 1/4", 3/8", 1/2", 3/4" and 1" inlet sizes. Settings and CFMs follow:

SV-118-1/4 x PSIG	1/4" MPT inlet				
PSIG	CFM	PSIG	CFM	PSIG	CFM
50	75	125	163	175	222
65	92	135	175	200	251
75	104	150	192	300	369
100	133	165	210		

SV-118-1/2 x PSIG	1/2" MPT inlet				
PSIG	CFM	PSIG	CFM	PSIG	CFM
65	133	125	234	175	319
90	175	135	251	200	361
100	192	150	277	300	531



Conrader Series SRV A.S.M.E. Safety Valves with Soft Seat and Pull Ring High capacity design. All brass construction with zinc-plated music wire spring. Resilient silicone rubber pad insures valve is bubble tight to within 10% of set pressure. Stamped with "UV" and "NB" symbols. Available set pressures range 25 psi to 250 psi. Set pressure tolerance 3% of set pressure. 250°F max temperature. 1/8" valve is 1.91" tall, the 1/4" valve is 2.10" tall. Settings and CFMs follow:

SV-S-1/8 x PSIG	1/8" MPT inlet, (25 psig to 250psig)		
PSIG	CFM	PSIG	CFM
75	40	150	73
100	51	175	84
125	62		



SV-S-1/2 x PSIG	1/4" MPT inlet, (25 psig to 250 psig)				
PSIG	CFM	PSIG	CFM	PSIG	CFM
65	134	125	236	175	323
90	177	150	279	200	367
100	194				

SV-S-1/4 x PSIG	1/4" MPT inlet, (25 psig to 250 psig)				
PSIG	CFM	PSIG	CFM	PSIG	CFM
50	51	90	84	165	145
60	59	110	100	175	153
100	92	125	112	200	175
70	68	135	121	250	214
75	72	150	133		

SV-S-3/4 x PSIG	3/4" MPT inlet				
PSIG	CFM	PSIG	CFM	PSIG	CFM
110	455	135	547	175	695
125	510	150	602	200	786

SV-S-1 x PSIG	1" MPT inlet				
PSIG	CFM	PSIG	CFM	PSIG	CFM
110	969	135	1165	175	1478
125	1087	150	1283	200	1674

Conrader Series SRH A.S.M.E. Hard Seat Safety Valves with Stainless Steel Ball and Pull Ring High capacity design. Brass construction with stainless steel ball on a precision machined brass seat. Equipped with a pull ring for manual testing. Pressure settings from 25 to 250 PSIG. Settings and CFMs follow:

SV-H-1/4 x PSIG	1/4" MPT inlet				
PSIG	CFM	PSIG	CFM	PSIG	CFM
50	51	90	83	150	130
60	59	100	91	165	142
65	63	110	99	175	151
70	67	125	110	200	170
75	71	135	119	250	210

SV-H-1/2 x PSIG	1/2" MPT inlet				
PSIG	CFM	PSIG	CFM	PSIG	CFM
65	145	125	256	165	330
90	191	135	274	175	348
100	210	150	302	200	394

SV-H-3/8 x PSIG	3/8" MPT inlet		
PSIG	CFM	PSIG	CFM
75	999	100	999
150	999	175	999
200	999		



SV-H-3/4 x PSIG	3/4" MPT inlet				
PSIG	CFM	PSIG	CFM	PSIG	CFM
110	456	135	548	175	694
125	511	150	603	200	786

SV-H-1 x PSIG	1" MPT inlet				
PSIG	CFM	PSIG	CFM	PSIG	CFM
110	456	135	548	175	649
125	511	150	603	200	786

Other Pressures are Available Contact us for more information



INDEPENDENT COMPONENTS CORP.

528 Hempstead Turnpike, West Hempstead, NY 11552 • Phone 516-481-5100 FAX 516-481-5550
 www.iccparts.com sales@iccparts.com • Toll Free: Phone 877-ICC-ICC3 FAX 800-814-8883

Safety Valves & Check Valves

In-tank Check Valve. Brass construction, two-piece design with glass filled Teflon disc and a Stainless Steel spring. Our check valves have a triple balanced flow design for minimum restrictions. All have 1/8" NPT unloader port for your optional use. Maximum working pressure 500 PSIG, maximum operating temperature 450°F.

VCVP



Inlet Male NPT
Outlet Female NPT
Port: 1/8" NPT

VCVP IF



Inlet: Inverted Flare Fitting
Outlet Female NPT
Port: 1/8" NPT & 1/8" Inverted Flare Port

VCVP C



Inlet: Compression Tube Fitting
Outlet Female NPT
Port: 1/8" NPT

VCVP F



Inlet: JIC Flare Fitting
Outlet Female NPT
Port: 1/8" NPT

Inlet	Outlet	ICC PART NO.
In-tank Check with Male NPT Fitting		
1/4	1/2	VCVP-1/4 X 1/2
3/8	1/2	VCVP-3/8 X 1/2
1/2	1/2	VCVP-1/2 X 1/2
1/2	3/4	VCVP-1/2 X 3/4
1/2	1	VCVP-1/2 X 1
3/4	3/4	VCVP-3/4 X 3/4
3/4	1	VCVP-3/4 X 1
3/4	1-1/2	VCVP-3/4 X 1-1/2
1	1	VCVP-1 X 1
1	1-1/4	VCVP-1X1-1/4
1-1/4	1-1/4	VCVP-1-1/4
1-1/2	1/1/2	VCVP-1-1/2

Inlet	Outlet	ICC PART NO.
In-tank Check with Inverted Flare Fitting		
1/2	1/2	VCVP-IF-1/2 X 1/2
3/4	3/4	VCVP-IF-3/4 X 3/4
5/8	5/8	VCVP-IF-5/8 X 5/8
5/8	3/4	VCVP-IF-5/8 X 3/4

Inlet	Outlet	ICC PART NO.
In-tank Check with Compression Tube Inlet Fitting		
3/8	3/8	VCVP-C3/8 X 3/8
5/16	1/2	VCVP-C5/16 X 1/2
3/8	1/2	VCVP-C3/8 X 1/2
1/2	1/2	VCVP-C1/2 X 1/2
1/2	3/4	VCVP-C1/2 X 3/4
3/4	1/2	VCVP-C3/4 X 1/2
3/4	3/4	VCVP-C3/4 X 3/4
3/4	1	VCVP-C3/4 X 1

Inlet	Outlet	ICC PART NO.
In-tank Check with JIC Flare Inlet Fitting		
1/2	1/2	VCVP-F1/2 X 1/2
5/8	1/2	VCVP-F5/8 X 1/2
5/8	3/4	VCVP-F5/8 X 3/4
3/4	3/4	VCVP-F3/4 X 3/4

Most Check valves and Pilot valves are available with British Standard Pipe Threads – Please Call

Inline Check Valve Brass construction, two-piece design with glass filled Teflon disc and a stainless steel spring. Our check valves have a triple balanced flow design for minimum restrictions. The ICV series is Female NPT Inlet and Female NPT Outlet. The ICVP adds a 1/8" NPT port. The ICCV is a control line check valve that uses an elastomer poppet for low flow applications; this has a Female NPT Inlet and Male NPT Outlet. Maximum working pressure 500 PSIG, maximum operating temperature 450°F.

ICV



ICVP



ICCV



Inlet	Outlet	ICC PART NO.
1/4	1/4	ICV-1/4 X 1/4
3/8	3/8	ICV-3/8 X 3/8
1/2	1/2	ICV-1/2 X 1/2
3/4	3/4	ICV-3/4 X 3/4
1	1	ICV-1 X 1
1-1/2	1-1/2	ICV-1-1/2 X 1-1/2

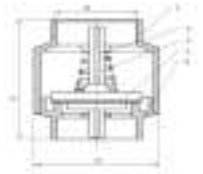
Inlet	Outlet	ICC PART NO.
1/4	1/4	ICVP-1/4 X 1/4
3/8	3/8	ICVP-3/8 X 3/8
1/2	1/2	ICVP-1/2 X 1/2
3/4	3/4	ICVP-3/4 X 3/4
1	1	ICVP-1 X 1
1-1/2	1-1/2	ICVP-1-1/2 X 1-1/2
1/4	1/4	ICCV-1/4

Quantity Discounts on Same Model Safety Valves & Same Model Check Valves
5% on 5 to 9 valves, 10% on 10 or more.



Check Valves & Accessory Valves

Inline Spring Check Valve. Check valve with both ends threaded Female NPT. Spring loaded with NBR seat. Working Pressure 200 psig. Working temperature 25°F to 140°F



FPT	MPT	ICC PART NO.
1/2	1/2	ISCV-1/2 X 1/2
3/4	3/4	ISCV-3/4 X 3/4
1	1	ISCV-1 X 1

Horizontal Inline Check Valve. Globe Style Horizontal Cast Brass Check Valves with Glass filled PTFE discs and stainless steel springs. Low cracking pressures of 2-3 psi. Each valve has access cap for service and 1/8" NPT unloader port with plug for connection to pressure switch unloader. 200 psi working pressure, 250-psi disc pressure. Rated up to 450°F



FPT	FPT	ICC PART NO.	FPT	FPT	ICC PART NO.
1/8	1/8	HIVCP-1/8	1	1	HIVCP-1
1/4	1/4	HIVCP-1/4	1-1/4	1-1/4	HIVCP-1-1/4
3/8	3/8	HIVCP-3/8	1-1/2	1-1/2	HIVCP-1-1/2
1/2	1/2	HIVCP-1/2	2	2	HIVCP-2
3/4	3/4	HIVCP-3/4			

Kingston 205 Horizontal Anti-Hammering Check Valve with Unloader Port. Spring loaded Dash Pot check valves are designed to reduce the hammering effect caused by exhaust pulsation found in reciprocating air compressors. Has a 1/8" NPT Unloader port with plug. Brass construction, with a 25% glass filled Teflon disc and Stainless Steel spring. Maximum working pressure 400 PSIG, Cracking Pressure 1-3 psi, maximum operating temperature 350°F. Lubricated compressed air applications only. Repair kits are available.



FPT	MPT	Figure	ICC PART NO.	FPT	MPT	Figure	ICC PART NO.
3/8	3/8	205-3	HCVP-205-3/8	1-1/4	1-1/4	205-7	HCVP-205-1-1/4
1/2	1/2	205-4	HCVP-205-1/2	1-1/2	1-1/2	205-8	HCVP-205-1-1/2
3/4	3/4	205-5	HCVP-205-3/4	2	2	205A-9	HCVP-205-2
1	1	205-6	HCVP-205-1				

Kingston KCV234 In tank Check Valve with Unloader Port. – One Piece body with high flow rates and top quality at an economical price. Maximum Temperature is 400 °F, Maximum Operating Pressure is 400 PSIG. Precision machined Teflon seat. Standard 1/8" NPS side port

FPT	MPT	Figure	ICC PART NO.
3/4	3/4	234-5-5	VCVP-234-3/4X3/4
3/4	1	234-5-6	VCVP-234-3/4X1
1	1	234-6-6	VCVP-234-1X1



Air Activated Tank Drain Valve. Automatically removes the water and condensates that collect in the tank. It is designed for compressors having bleeder or pressure type unloaders. Complete drainage is assured by double action of the valve which opens when the compressor starts and stops. Designed for compressors up to 5HP maximum operating pressure 300 psig. Call or fax for installation instructions.

Inlet	Outlet	Pilot	ICC PART NO.
1/4-18 MPT	1/4-18 MPT	1/8-27 FPT	ADV



Quantity Discounts on Same Model Check Valves
5% on 5 to 9 valves, 10% on 10 or more.



INDEPENDENT COMPONENTS CORP.

528 Hempstead Turnpike, West Hempstead, NY 11552 • Phone 516-481-5100 FAX 516-481-5550
www.iccparts.com sales@iccparts.com • Toll Free: Phone 877-ICC-ICC3 FAX 800-814-8883

Check Valves & Accessory Valves



Air Operated Discharge Unloader Valves. The discharge unloader valve is used in constant speed applications where intake unloaders are not present. It is controlled by a pilot valve that signals the normally closed valve to open at the unloaded pressure. When open, the discharge valve vents discharge line air to atmosphere. When pressure drops to load pressure, the pilot valve closes the discharge valve and the compressor returns to normal operation. Brass Body rated at 250 psig, 550° F. Contains stainless steel spring and Teflon piston

Inlet	Outlet	Pilot	ICC PART NO.
1/2	1/2	1/4 F	DUV-1/2

Unloader Pilot Valve. Pilot Valves are used where the compressor is to maintain a constant pressure range while running continuously. Pilot valves operate in a set pressure range. The Pilot Valve operates within a range, at the unload setting, the pilot valve opens to activate another device; at the load setting, the pilot valve closes.

Inlet 1/4" NPT Male, Outlet 1/8" NPT Female

Setting Range	ICC PART NO.
80 100	PUV-80-100
150 170	PUV-150-170



With Manual Unloading

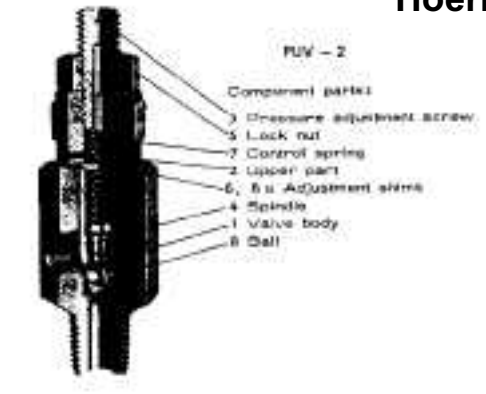
Setting Range	ICC PART NO.
80 100	PUV-U-80-100
95 125	PUV-U-95-125
100 110	PUV-U-100-110
100 125	PUV-U-100-125
125 150	PUV-U-125-150
145 175	PUV-U-145-175
150 170	PUV-U-150-170
200 250	PUV-U-200-250

Brass 1/8 NPT Plug. Used to close the Side Port in the above Check Valves with Bleeder Port.

NPT	ICC PART NO.
1/8	PLUG-1/8-BR

Use of our control and safety products is the sole responsibility of the user.

Hoerbiger Unloader Pilot Valves



I.C.C. PART NO.

- PUV-2-85-100
- PUV-2-95-105
- PUV-2-100-110

Quincy Style Pilot and Unloader Valves available – See Quincy section



Control Valves

Blow Down Valves

Normally Closed Air Actuated On-Off Valve

Installed downstream from the air-oil separator, the Blow Down Valve provides two functions:

- At Start-up, the valve closes to permit the air-oil separator pressure to build up.
- At Shut-down, when a pressure is applied, the valve opens to bleed the air-oil separator to atmosphere.

The Blow Down Valve may also be used as a By-Pass Valve to bleed air through the compressor at start-up. Manufactured with Teflon seats for long life and Viton™ o-rings for lubricant compatibility.

Valve Port Size NPT	I.C.C. PART NUMBER
1/4"	BDVAL-1/4
1/2"	BDVAL-1/2



Minimum Pressure Check Valves

Combination Back Pressure & Check Valve

Installed directly downstream from the air-oil separator, the Minimum Pressure Check Valve provides two functions:

- At start-up, the valve stays closed up to a preset level and then opens to maintain a minimum pressure in the air-oil separator. This assures pressure for lubricating the compressor, reduces oil foaming and protects the air-oil separator element.
- At shut-down, the valve closes to prevent back flow through the compressor.

Design Features:

- Flow passages designed for low pressure drop
- Teflon seats for tight seal
- Viton™ o-rings for lubricant compatibility
- Cast Iron Housings
- Pressure to 350 psi
- Flow to 1500 scfm



These valves are available in various configurations ranging from 3/4" NPT to 3" NPT with and without inlet or outlet ports. **Please call for more information**

Control Regulators

Positive Control Regulators

Normally Closed Modulating Control Valve.

Positive Control Regulators are used to modulate the intake valve and other system valves to control compressor output. Installed to sense compressor output pressure. This regulator valve stays closed up to a preset pressure and then modulates open to provide a positive control signal as compressor pressure increases.

- Stainless Steel seats
- Viton™ Diaphragm
- Threaded Stem for panel mounting
- 200 psi operating pressure



Negative Control Regulators

Normally Open Modulating Control Valve.

Negative control regulators are used to modulate normally closed intake valve and other system valves to control compressor output. Installed to sense compressor output pressure. This regulator stays open to a preset pressure and then modulates closed to provide a negative control signal as compressor pressure increases.

- Stainless Steel seats
- Viton™ Diaphragm
- Threaded Stem for panel mounting
- 200 psi operating pressure



Regulator Type	I.C.C. PART NUMBER
Positive	RVAL-P-D1
Negative	RVAL-N1



INDEPENDENT COMPONENTS CORP.

528 Hempstead Turnpike, West Hempstead, NY 11552 • Phone 516-481-5100 FAX 516-481-5550
www.iccparts.com sales@iccparts.com • Toll Free: Phone 877-ICC-ICC3 FAX 800-814-8883

Drain Valves

ICC DRAIN VALVES – Are high quality and price competitive systems that offers a cost effective means of removing condensate from compressors, receivers, after coolers, filters, drip legs and dryers.

ICC Electronic Drain Valves

We stock both the General Use EDVG, and Premium EDVP Electronic Timer Drain Valves. We suggest using our EDVGS (with strainer) drains in most cases. Both models used the same Power Cable, Solenoid Coil and Moving valve parts. The EDVP timer has a fancier case, but the internals are equivalent to the EDVGS timer. EDVP also has a 4.5mm orifice instead of the 4mm on the EDVGS. The EDVGS Valve Body is mass produced making it less expensive than the lower volume EDVP Valve Body. Both are available with and without the Strainer w/Ball Valve.

For common voltages (24VAC, 24VDC, 115VAC, 230VAC) for use up to 230 PSIG we recommend the EDVGS Drain Valves. For pressures up to 300 PSIG, and additionally 12VDC or 380VAC, or where space is tight we will still sell the EDVC Drain Valves. If you need Higher Pressure (up to 6000 psi), Stainless Steel Valves, or like the design, we sell the EDVP valves.



EDVGS Drain Valve w/ Strainer



EDVC Drain Valve w/ Strainer



EDVP Drain Valve



EDV-1/8 Drain

General Use

EDVGS-1/4 w/strainer
EDVGS-3/8 w/strainer
EDVGS-1/2 w/strainer

EDVG-1/4 no strainer
EDVG-3/8 no strainer
EDVG-1/2 no strainer

EDVC-1/2 w/strainer
EDV-1/8 no strainer

Premium

EDVPS-1/4 w/strainer
EDVPS-3/8 w/strainer
EDVPS-1/2 w/strainer

EDVP-1/4 no strainer
EDVP-3/8 no strainer
EDVP-1/2 no strainer

Accessories

EDVS Ball Valve Strainer
EDVB Bracket for Mounting

Drain Valve L-Strainers with Ball Valve. – Are not required for normal condensate drainage with orifices over 3.5 mm. However, most people use the Strainer Valve both as a shut off valve, allowing the to the Drain Valve to be serviced with pressure in the line, and to reduce the service needed for the Drain Valve. Rated at 400 psig with Stainless Steel Strainer. 1200 psig version available.

Part NUMBER	Inlet Size	Outlet Size	Material
EDVS 1/4	1/2" M & 1/4" F	1/4" M	Brass
EDVS 3/8	1/2" M & 1/4" F	3/8" M	Brass
EDVS 1/2	1/2" M & 1/4" F	1/2" M	Brass





INDEPENDENT COMPONENTS CORP.

528 Hempstead Turnpike, West Hempstead, NY 11552 • Phone 516-481-5100 FAX 516-481-5550
www.iccparts.com sales@iccparts.com • Toll Free: Phone 877-ICC-ICC3 FAX 800-814-8883

Save Energy - use Zero and Low Loss Drain Valves

We are now carrying a **Smaller Less Expensive Zero Loss Drain Valve**. The Smart Guard Drain Valve Mini (**SDVM**). It measures 4.8" (including hose barb) x 3.7" x 2.9". It is available in 24VDC, 24VAC, 115VAC and 230VAC models and is rated at 230 PSIG. It is recommended for compressors under 350 SCFM. It will handle about 9 gallons per hour at 100 PSIG or 12 gallons per hour at 200 PSIG.

The larger **Zero Loss Smart Guard Drain Valve (SDV)** measures 7" x 3.5" x 4.5". It is available for the same voltages and is also rated at 230 PSIG. It comes with a Normally Open Alarm Contact (Normally Closed available) and an external Strainer w/Ball Valve. A High Pressure (to 720 PSIG) and a Stainless Steel version is also available. It is recommended for compressors up to 3500 CFM. These were just Improved to handle about 120 gallons per hour at 100 PSIG or 176 gallons per hour at 230 PSIG.

Designed for Coolers, dryers & filters, our **DVG-1/2** Zero Loss Drain has a capacity of 52 gallons/hour (2mm orifice). Our **DVP-1/2** for compressors up to 3600 SCFM (6mm orifice) only uses a puff of air to function without any power needed.



SDVM Smart Guard Drain Valve Mini Drain



SDV Smart Guard Drain Valve

ICC PART
SDVM

ICC PART
SDV

Non-Electric Low Loss Drain Valves



DVP-1/2



DVG-1/2

DVP-1/2 Premium Low Loss Drain Valve w/Strainer

Low Loss medium size drain with an integral strainer and test button. Has Inlet ports on the top and side

149.00

DVG-1/2 General Zero Loss Drain Valve

Zero Loss Valves for Filters small units. Inlet ports on the top. Larger versions with a side inlet port also available

73.00



INDEPENDENT COMPONENTS CORP.

528 Hempstead Turnpike, West Hempstead, NY 11552 • Phone 516-481-5100 FAX 516-481-5550
www.iccparts.com sales@iccparts.com • Toll Free: Phone 877-ICC-ICC3 FAX 800-814-8883

Ball Valve Drain & Line Controls



Motorized Drain Valve

Motorized Drain Valve. An uncloggable Ball Valve for difficult applications with high condensate flows and heavy particulate loads. It is a High Pressure valve with a 12mm orifice and has 9 pre-set programs and battery backup which closes the valve during a power outage.. Opens for 7 seconds to 15 minutes, frequency of every 4 minutes to 24 hours. 600PSI 122°F

Air Saver Timer Controlled Valve

Timer Controlled Air Saver Valve. All air lines have some leakage. Reduce Factory Air Loss with our ASV - with a 7 day programmable timer to turn off either at the tank or in the air lines to parts of the building where and when it is not needed – Nights, Weekends etc. 230 psig 1" or 2" NPT Inlet & Outlet, Nickel Plated Brass Ball valve with Stainless Steel Ball and Viton Seals. 33 to 140 degrees F ambient temperature (33-212 air temperature in pipe). 115 or 230 VAC NEMA 12. Manual override and optional remote control..

ICC PART

MDV-1/2.....½" NPT Drain ...
MDV-3/4.....¾" NPT Drain ...
MDV-1.....1" NPT Drain

ICC PART

ASV-1 1" NPT Valve.....
ASV-2 2" NPT Valve.....



Drain Valves Comparison

Valve -> Specification	EDVP	EDVGS	EDVC	EDV-1/8	DVP	DVG	Smart Guard	MDV
Max Condensate Capacity	Depends on settings	Depends on settings	Depends on settings	Depends on settings	10.5 g/min	0.9 g/min	0.2 g/min	Depends on settings
Inlet/ Outlet Options all NPT thread	¼, ¾ or ½ (F) both In & Out	¼, ¾, or ½ (F) see notes	In: ¼ (F) & ½ (M) Out: ½ (F) [1 size]	½, or ¼ (F)	½ (F)	In: ½ (F) Out: ½ (F) or hose	In: ½ (F) Out: ¼ (F)	¼, ½, ¾ or 1 (F) both In & Out
Orifice Diameter	4.5mm	4mm	4mm	2mm	???	2mm	4.5mm	12mm
Valve Type	2/2way Direct Acting	2/2way Direct Acting	2/2 Way Direct Acting	2/2 Way Direct Acting	3/2 Way Zero Loss	2/2 way Zero Loss	2/2 way Zero Loss	Motorized Ball Valve
Valve Body	Brass or Stainless	Brass	Brass	Brass	Brass		Stainless	Nickel Pltd Brass or Stainless
Seal Material	Viton	Viton	Viton	Viton	Viton	Viton	Viton	Viton & Teflon
Minimum Pressure	0	0	0	0	44	0		0
Max Pressure (PSIG)	230 or 300	230	300	230 or 300	230	230	230	720
Condensate Temps.	34° - 122° F	34° - 122° F	34° - 122° F	34° - 122° F	34° - 122° F	34° - 122° F	34° - 122° F	34° - 140° F
AC Voltage options	24,115,230,380	24, 115, 230	24, 230, 380	24,115,230,380	None	None	24, 115, 230	24, 115, 230, 380
DC Voltage options	12, 24	24	12, 24	24	None	None	24	12, 24
Open (discharge) time	0.5 - 10 sec	0.5 - 10 sec	0.5 - 10 sec	2 sec (fixed)	-	-	-	3.5sec - 15min
Closed (cycle) time	0.5 - 45 min	0.5 - 45 min	0.5 - 45 min	1-120 min	-	-	-	4 min - 24hrs
Strainer	Optional	Included	Included	Optional	Included	Optional	Internal	Optional
Electrical Spec	NEMA 4	NEMA 4	NEMA 4	NEMA 4	NEMA 6	NEMA 6	NEMA 4	NEMA 4
Power & Open LED	On-Off	On-Off	On-Off	On	not powered	not powered	On-Off	On-Off
6 ft power cord	yes	yes	yes	yes	not powered	not powered	yes	yes
Push to Test	yes	yes	yes	yes	yes	no	yes	yes
Warranty	2 Year	1 Year	1 Year	1 Year	1 Year	1 Year	1 Year	1 Year

Energy Loss & Environmental Equipment

Ultrasonic Air Leak Detector. Small air leaks can cause thousands of dollars per year in wasted energy. Leaks cause a compressed air system to lose pressure increasing compressor run time and increasing your power costs. The Leak Detector is designed to work in noisy environments for quick and easy detection of air leaks up to 33 feet away with both visual and audible indication. Great for both Audits and regular preventative maintenance

I.C.C. PART	Voltage
UALD	9v battery



Condensate Separators – A 25HP Air Compressor can generate 20 gallons of Oil Contaminated condensate per day. This is considered hazardous waste and in most places it is prohibited to dump this down the drain. However, it is almost 99% Water so a Condensate Separator can reduce this down to 5 gallons per week. Using a High Performance Filter Element followed by a Carbon Element an oil carryover of less than 10 ppm can be achieved. No power is needed. 1/2 NPT Inlet & Outlet connections. Replacement filters available.

I.C.C. PART	Compressor CFM	Oil Capacity (gal)
OWS-1	125	0.8
OWS-2	250	1.8
OWS-3	600	4.0





INDEPENDENT COMPONENTS CORP.

528 Hempstead Turnpike, West Hempstead, NY 11552 • Phone 516-481-5100 FAX 516-481-5550
www.iccparts.com sales@iccparts.com • Toll Free: Phone 877-ICC-ICC3 FAX 800-814-8883

Ball Valves & Pressure Gauges

Ball Valve. Ball valves are made of forged brass and use a nickel plated brass stem. A simple quarter turn of the handle allows the user to control the chrome plated brass ball to open and close the valve. Full port design used for air, water, oil or inert gases. Maximum operating pressure 600 W.O.G., Maximum temp 366°F, Female to Female NPT fittings.

Size	ICC PART NO.
1/4	BALLV-1/4
3/8	BALLV-3/8
1/2	BALLV-1/2
3/4	BALLV-3/4
1	BALLV-1
1-1/4	BALLV-1-1/4
1-1/2	BALLV-1-1/2
2	BALLV-2



Quantity Discounts on Ball Valves
5% on 5 to 9 valves, 10% on 10 or more

Pressure Gauge. All gauges in black painted steel cases. Brass construction with glass lens. The face is white with easy to read black numbers.



Pressure Gauge. Brass construction with glass lens. White face with easy to read numbers.

Dry Gauges

Mount Type	Pipe Size	Pressure Range	Face Size	ICC PART NO.
Bottom mount	1/4" NPT	0-100 psi	2"	PG-B1/4x100-2.0
Bottom mount	1/4" NPT	0-200 psi	2"	PG-B1/4x200-2.0
Bottom mount	1/4" NPT	0-300 psi	2"	PG-B1/4x300-2.0
Center Back mount	1/8" NPT	0-160 psi	1.5"	PG-C1/8x160-1.5
Center Back mount	1/4" NPT	0-100 psi	2"	PG-C1/4x100-2.0
Center Back mount	1/4" NPT	0-200 psi	2"	PG-C1/4x200-2.0
Center Back mount	1/4" NPT	0-300 psi	2"	PG-C1/4x300-2.0

Liquid Filled Gauges

Mount Type	Pipe Size	Pressure Range	Face Size	ICC PART NO.
Bottom mount	1/4" NPT	0-100 psi	2"	PGL-B1/4x100-2.0
Bottom mount	1/4" NPT	0-200 psi	2"	PGL-B1/4x200-2.0
Bottom mount	1/4" NPT	0-300 psi	2"	PGL-B1/4x300-2.0
Center Back mount	1/4" NPT	0-100 psi	2"	PGL-C1/4x100-2.0
Center Back mount	1/4" NPT	0-200 psi	2"	PGL-C1/4x200-2.0
Center Back mount	1/4" NPT	0-300 psi	2"	PGL-C1/4x300-2.0

Other Accessories are available. Please call for quotation.



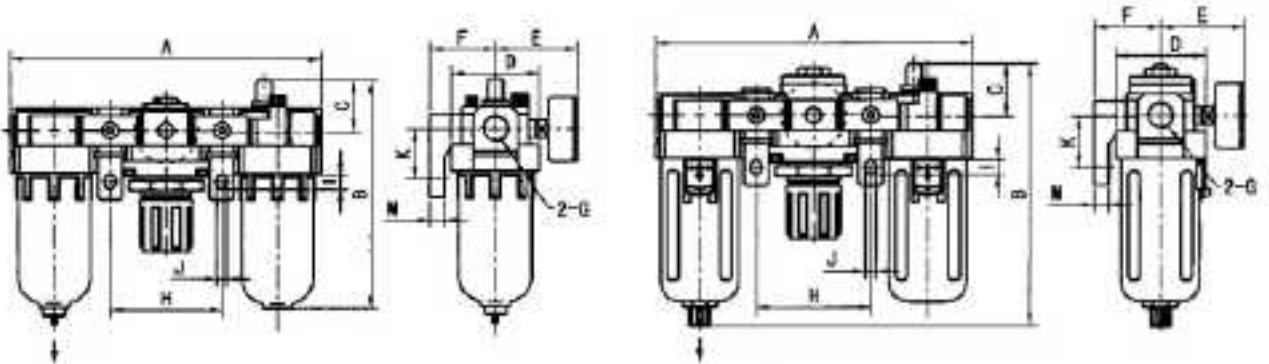
Filter – Regulators – Lubricators



ICC F-R-L Features:

- Port sizes from 1/4" NPT to 1" NPT
- Pressure Regulation Range 7 psig to 125 psig
- Maximum operating pressure is 150 psig
- Flow rates from 2 scfm to 180 scfm
- Filtration is 5 micron standard, 25 micron available
- Bowl Material Polycarbonate standard, with steel bowl guard on 1/2" and larger. Aluminum metal bowl available.
- Regulators are supplied with a pressure gauge

I.C.C. Part Number	Port size	Max SCFM	A	B	C	D	E	F
FRL-2000-1/4	1/4" NPT	18	3.58"	4.92"	1.50"	1.57"	2.23"	1.18"
FRL-4000-1/2	1/2" NPT	140	9.37"	7.54"	1.61"	2.76"	2.58"	1.97"
FRL-5000-3/4	3/4" NPT	140	11.81"	10.69"	1.89"	3.54"	2.97"	2.35"
FRL-5000-1	1" NPT	175	11.81"	10.69"	1.89"	3.54"	2.97"	2.35"



I.C.C. Part Number	Port size
FRL-2000-1/4	1/4" NPT
FRL-4000-1/2	1/2" NPT
FRL-5000-3/4	3/4" NPT
FRL-5000-1	1" NPT

Other Accessories are available. Please call for quotation.



INDEPENDENT COMPONENTS CORP.

528 Hempstead Turnpike, West Hempstead, NY 11552 • Phone 516-481-5100 FAX 516-481-5550
 www.iccparts.com sales@iccparts.com • Toll Free: Phone 877-ICC-ICC3 FAX 800-814-8883

Pressure Switches

Pressure Switches

- UL Registered, Canadian approved
- Readily adjustable with 15 psi range, differential is constant
- Optional On / Off Switch
- Two styles of unloader valves, unloader on the bottom (Condor style), or on the top (Furnas style)
- All connections are female 1/4" NPT
- Corrosion resistant terminals
- Silver-cadmium oxide contacts



Furnas Style

Condor Style

OPERATING RANGE	NUMBER OF PORTS	ON / OFF SWITCH	UNLOADER VALVE	I.C.C. PART NO.
PRESSURE SWITCH				
Condor Style				
65-110	1	NO	NONE	PSW-65
95-125	1	NO	NONE	PSW-95
115-150	4	YES	BOTTOM	PSW-115-4SB
140-175	4	NO	BOTTOM	PSW-140-4B
Furnas Style				
95-125	1	YES	TOP	PSW-95-ST
95-125	4	YES	TOP	PSW-95-4ST
115-150	1	YES	TOP	PSW-115-ST
115-150	4	YES	TOP	PSW-115-4ST
140-175	1	NO	TOP	PSW-140-T
140-175	4	NO	TOP	PSW-140-4T

Pressure Switch Diaphragms

FOR SQUARE D ASG SERIES
 FOR SQUARE D GHG SERIES
 FOR FURNAS 69HA SERIES...

DPH-1-SQD
 DPH-2-SQD
 DPH-1-FU

Other Accessories are available. Please call for quotation.



INDEPENDENT COMPONENTS CORP.

528 Hempstead Turnpike, West Hempstead, NY 11552 • Phone 516-481-5100 FAX 516-481-5550
www.iccparts.com sales@iccparts.com • Toll Free: Phone 877-ICC-ICC3 FAX 800-814-8883

AUTOMUFFLERS®

Allied Witan Autoufflers® typically reduce noise level by 17-25 dB. (A 20 dB reduction decreases sound energy by a factor of 100.) We normally stock them with Male NPT thread, but are available with Male BSPT or Female NPS thread. We stock most sizes of Air Exhaust Mufflers and Air Dryer Mufflers. All varieties and sizes of Automufflers are available including: Relief Valve Mufflers, Steam Exhaust Mufflers, Vacuum Pump Exhaust Mufflers, etc.



Air Exhaust Mufflers

Allied Part No.	Model	I.C.C. PART No.	NPT
0111001	M01	AEMUF-1/8	1/8
0111002	M02	AEMUF-1/4	1/4
0111000	M00	AEMUF-3/8	3/8
0111005	M05	AEMUF-1/2	1/2
0111007	M07	AEMUF-3/4	3/4
0111010	M10	AEMUF-1	1
0111012	M12	AEMUF-1-1/4	1-1/4
0111015	M15	AEMUF-1-1/2	1-1/2
0111020	M20	AEMUF-2	2
0111030	M30	AEMUF-3	3

Replacement Elements for above

0911001	AE-ELE-1/8
0911002	AE-ELE-1/4
0911000	AE-ELE-3/8
0911005	AE-ELE-1/2
0911007	AE-ELE-3/4
0911010	AE-ELE-1
0911012	AE-ELE-1-1/4
0911015	AE-ELE-1-1/2
0911020	AE-ELE-2

Air Dryer Mufflers

Allied Part No.	Model	I.C.C. PART No.	NPT
0375001	X01	ADMUF-1/8	1/8
0375002	X02	ADMUF-1/4	1/4
0375000	X00	ADMUF-3/8	3/8
0375005	X05	ADMUF-1/2	1/2
0375007	X07	ADMUF-3/4	3/4
0375010	X10	ADMUF-1	1
0375012	X12	ADMUF-1-1/4	1-1/4
0375015	X15	ADMUF-1-1/2	1-1/2
0375020	X20	ADMUF-2	2
0375030	X30	ADMUF-3	3

Replacement Elements for above

0941001	AD-ELE-1/8
0941002	AD-ELE-1/4
0941000	AD-ELE-3/8
0941005	AD-ELE-1/2
0941007	AD-ELE-3/4
0941010	AD-ELE-1
0941012	AD-ELE-1-1/4
0941015	AD-ELE-1-1/2
0941020	AD-ELE-2

All Other Allied Witan Muffler Styles & Sizes are available. Call for information

ACTIVATED ALUMINA DESICCANT

ICC Activated Alumina desiccant is an excellent all purpose desiccant for drying air and most other gases. Activated Alumina is designed to be used in both heated and heatless dryers. Dewpoints of up to -100°F can be achieved. Activated Alumina can be regenerated to its original adsorption capacity. It has a high resistance to shock and abrasion.

Chemical Analysis of ICC Activated Alumina Desiccant (Typical)

Constituents	Weight %
Soda Na ₂ O	0.500
Fe (Fe ₂ O ₃)	0.015
Si (SiO ₂)	0.020
Ti (TiC ₂)	0.002
Loss on ignition	5-7



Physical Properties of ICC Activated Alumina Desiccant (Typical)

Bulk Density (g/cm ³)	0.82
BET Area (m ² /g)	300 - 360
Pore Volume (cm ³ /g)	0.44
Crush Strength (kg)	0.020
1/8 Bead	13.6 - 22.7
1/4 Bead	18.1 - 45.4

Packing is usually in 50-pound bags (easy to ship, handle, & store). Other packing is available upon request.

Bead Size	I.C.C. PART NO.
1/8"	DES-AA-1/8-50LBS
3/16"	DES-AA-3/16-50LBS
1/4"	DES-AA-1/4-50LBS



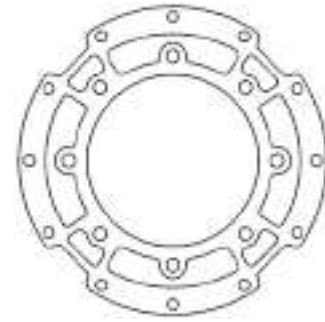
INDEPENDENT COMPONENTS CORP.

528 Hempstead Turnpike, West Hempstead, NY 11552 • Phone 516-481-5100 FAX 516-481-5550
www.iccparts.com sales@iccparts.com • Toll Free: Phone 877-ICC-ICC3 FAX 800-814-8883

GASKET MATERIAL

Independent Components Corp. has an extensive stock of gasket material. We stock premium quality materials.

We manufacture most of our non-metallic gaskets. We can make custom gaskets by sample, drawing or dimensions. **No gasket job is too small!**



GKM-700 – Compressed Non Asbestos Sheet with NBR Binder – Green 60" x 60" Sheets

A high quality sheet manufactured with synthetic fibers (Aramid) and NBR binders. Recommended for use in sealing oils, solvents, fuels, non-aggressive solutions and service conditions up to 750° F

Equal to: Garlock® 2850, 2900, 3000, Klinger® C-4400, C-4401, C-4201

Thickness	I.C.C. PART NUMBER
1/64"	GKM-700-1/64-SH
1/32"	GKM-700-1/32-SH
1/16"	GKM-700-1/16-SH
3/32"	GKM-700-3/32-SH
1/8"	GKM-700-1/8-SH

GKM-BAF – Compressed Non Asbestos Sheet made of graphite and carbon fibers with NBR Binder – Black 60" x 60" Sheets

This High Temp compressed graphite and carbon fiber sheet with NBR binders is rated for 900°F. Ideal for high temperature applications. It can be cut light traditional gasket materials, yet has many of the advantages of flexible graphite (Graphoil).

Equal to Garlock® 9850, 9900, Klinger® C-4500

Thickness	I.C.C. PART NUMBER
1/32"	GKM-BAF-1/32-SH
1/16"	GKM-BAF-1/16-SH
1/8"	GKM-BAF-1/8-SH

GKM-CS301 – Cellulose Fiber – Light Brown – Sold by the linear foot, 40" wide

Interface Solutions, Inc. CS-301 is a good seal in water and oil. It is a blend of cellulose fibers in a synthetic rubber binder. Ideal for applications where a compressible material is required.

Thickness	I.C.C. PART NUMBER
1/32"	GKM-CS301-1/32-LF
1/16"	GKM-CS301-1/16-LF

GKM-GRAF – Flexible Graphite – Gray 39" x 39" Sheets

Industrial Grade homogeneous flexible graphite foil, carbon content (98% min), no resin binders or any other chemical fillers.

Equal to Graphoil® GTB, or Calagraph® B

Thickness	I.C.C. PART NUMBER
1/32"	GKM-GRAF-1/32-SH
1/16"	GKM-GRAF-1/16-SH

Note: A crate charge may apply to ship this material

GKM-GRAF-IN – Flexible Graphite with insert – Gray 39" x 39" Sheets

Industrial Grade homogeneous flexible graphite foil, carbon content (98% min), no resin binders or any other chemical fillers with stainless steel insert.

Equal to Graphoil® GHR, or Calagraph® BSSC

Thickness	I.C.C. PART NUMBER
1/32"	GKM-GRAFIN-1/32-SH
1/16"	GKM-GRAFIN-1/16-SH

Note: A crate change may apply to ship this material

GKM-GRAF-TNG – Flexible Graphite with Tang Insert – Gray 39" x 39" Sheets

Industrial Grade homogeneous flexible graphite foil, carbon content (98% min), no resin binders or any other chemical fillers with .004" thick perforated 316 stainless steel tang insert mechanically bond.

Equal to Graphoil® GHR, or Calagraph® BSSC

Thickness	I.C.C. PART NUMBER
1/16"	GKM-GRAF-TNG-1/16-SH
2mm	GKM-GRAF-TNG-2MM-SH

Note: A crate change may apply to ship this material

Other Gasket and Diaphragm materials are available – Please Call or Fax for Prices



INDEPENDENT COMPONENTS CORP.

528 Hempstead Turnpike, West Hempstead, NY 11552 • Phone 516-481-5100 FAX 516-481-5550
www.iccparts.com sales@iccparts.com • Toll Free: Phone 877-ICC-ICC3 FAX 800-814-8883

O-RINGS (Sample prices)

O-Rings – are in stock in almost all standard sizes in Buna, Silicone and Viton. Sample pricing is listed below for about every 10 O-Ring sizes, if you need pricing on unlisted sizes, please FAX or Call us, and request a complete price list. To Order please ask for “ORING-sss-M”, where sss is the standard O-Ring Size, M, the material is B for Buna, S for Silicone or V for Viton.

For example order: **ORING-001-B**

Other Materials and Metric O-Rings are also available.

O-RING SIZE	ICC PART NO.	BUNA					SILICONE					VITON				
		1-9	10-24	25-49	<u>50-99</u>	<u>100+</u>	1-9	10-24	25-49	50-99	<u>100+</u>	1-9	10-24	25-49	50-99	<u>100+</u>
001	ORING-001															
010	ORING-010															
020	ORING-020															
030	ORING-030															
040	ORING-040															
050	ORING-050															
102	ORING-102															
110	ORING-110															
120	ORING-120															
130	ORING-130															
140	ORING-140															
150	ORING-150															
160	ORING-160															
170	ORING-170															
178	ORING-178															
201	ORING-201															
210	ORING-210															
220	ORING-220															
230	ORING-230															
240	ORING-240															
250	ORING-250															
260	ORING-260															
270	ORING-270															
280	ORING-280															
284	ORING-284															
309	ORING-309															
310	ORING-310															
320	ORING-320															
330	ORING-330															
340	ORING-340															
350	ORING-350															
360	ORING-360															
370	ORING-370															
380	ORING-380															
390	ORING-390															
425	ORING-425															
430	ORING-430															
440	ORING-440															
450	ORING-450															
460	ORING-460															
467	ORING-467															
901	ORING-901															
910	ORING-910															
920	ORING-920															
932	ORING-932															

A complete price list is available, with pricing at various quantity discounts



INDEPENDENT COMPONENTS CORP.

528 Hempstead Turnpike, West Hempstead, NY 11552 • Phone 516-481-5100 FAX 516-481-5550
www.iccparts.com sales@iccparts.com • Toll Free: Phone 877-ICC-ICC3 FAX 800-814-8883

FLEXMASTER Gaskets & Joints

Flexmaster Gaskets (Donuts) Only

OEM #	ICC Part	Diameter
Pipe - Restrained - Buna		
NK1000061C050	FMG-61C-050	0.5
NK1000061C075	FMG-61C-075	0.75
NK1000061C100	FMG-61C-100	1
NK1000061C125	FMG-61C-125	1.25
NK1000061C150	FMG-61C-150	1.5
NK1000061C200	FMG-61C-200	2
NK1000061C250	FMG-61C-250	2.5
NK1000061C300	FMG-61C-300	3
NK1000061C350	104.67 FMG-61C-350	3.5
NK1000061C400	108.74 FMG-61C-400	4
NK1000061C500	308.52 FMG-61C-500	5
NK1000061C600	301.26 FMG-61C-600	6

Pipe - Restrained - EPDM

NK1000061D100	62.85 FMG-61D-100	1
NK1000061D125	41.17 FMG-61D-125	1.25
NK1000061D150	54.40 FMG-61D-150	1.5
NK1000061D200	56.28 FMG-61D-200	2
NK1000061D250	93.37 FMG-61D-250	2.5
NK1000061D300	117.60 FMG-61D-300	3
NK1000061D400	132.22 FMG-61D-400	4

Pipe - Non-Restrained - Buna

NK1000063C050	15.19 FMG-63C-050	0.5
NK1000063C075	18.53 FMG-63C-075	0.75
NK1000063C100	20.38 FMG-63C-100	1
NK1000063C125	19.81 FMG-63C-125	1.25
NK1000063C150	22.11 FMG-63C-150	1.5
NK1000063C200	24.05 FMG-63C-200	2
NK1000063C250	38.88 FMG-63C-250	2.5
NK1000063C300	51.79 FMG-63C-300	3
NK1000063C350	59.80 FMG-63C-350	3.5
NK1000063C400	70.39 FMG-63C-400	4
NK1000063C500	142.36 FMG-63C-500	5
NK1000063C600	145.44 FMG-63C-600	6

Pipe - Non-Restrained - Hi-Temp Buna

NK1000063N075	19.43 FMG-63N-075	0.75
NK1000063N100	22.96 FMG-63N-100	1
NK1000063N125	28.41 FMG-63N-125	1.25
NK1000063N150	28.83 FMG-63N-150	1.5
NK1000063N200	31.81 FMG-63N-200	2
NK1000063N250	57.52 FMG-63N-250	2.5
NK1000063N300	71.08 FMG-63N-300	3
NK1000063N350	77.17 FMG-63N-350	3.5
NK1000063N400	90.84 FMG-63N-400	4
NK1000063N500	141.43 FMG-63N-500	5
NK1000063N600	156.00 FMG-63N-600	6

Entire Flexmaster Joints

OEM Number	ICC Part
Pipe - Restrained - Buna	
NH1650C050B0225	FMJT-61C-050
NH1650C075B0250	FMJT-61C-075
NH1650C100B0288	FMJT-61C-100
NH1650C125B0325	FMJT-61C-125
NH1650C150B0350	FMJT-61C-150
NH1650C200B0400	FMJT-61C-200
NH1650C250B0650	FMJT-61C-250
NH1650C300B0650	FMJT-61C-300
NH1650C350B0650	FMJT-61C-350
NH1650C400B0650	FMJT-61C-400
NH1650C500B0650	FMJT-61C-500
NH1650C600B0650	FMJT-61C-600

Pipe - Restrained - EPDM

NH1650D100B0288	FMJT-61D-100
NH1650D125B0325	FMJT-61D-125
NH1650D150B0350	FMJT-61D-150
NH1650D200B0400	FMJT-61D-200
NH1650D250B0650	FMJT-61D-250
NH1650D250B0650	FMJT-61D-300
NH1650D300B0650	FMJT-61D-400

Pipe - Non-Restrained - Buna

NH1600C050B0225	FMJT-63C-050
NH1600C075B0250	FMJT-63C-075
NH1600C100B0288	FMJT-63C-100
NH1600C125B0325	FMJT-63C-125
NH1600C150B0350	FMJT-63C-150
NH1600C200B0400	FMJT-63C-200
NH1600C250B0650	FMJT-63C-250
NH1600C300B0650	FMJT-63C-300
NH1600C350B0650	FMJT-63C-350
NH1600C400B0650	FMJT-63C-400
NH1600C500B0650	FMJT-63C-500
NH1600C600B0650	FMJT-63C-600

Pipe - Non-Restrained - Hi-Temp Buna

NH1600N075B0250	FMJT-63N-075
NH1600N100B0288	FMJT-63N-100
NH1600N125B0325	FMJT-63N-125
NH1600N150B0350	FMJT-63N-150
NH1600N200B0400	FMJT-63N-200
NH1600N250B0650	FMJT-63N-250
NH1600N300B0650	FMJT-63N-300
NH1600N350B0650	FMJT-63N-350
NH1600N400B0650	FMJT-63N-400
NH1600N500B0650	FMJT-63N-500
NH1600N600B0650	FMJT-63N-600



Restrained

Non-Restrained



Entire Joint



INDEPENDENT COMPONENTS CORP.

528 Hempstead Turnpike, West Hempstead, NY 11552 • Phone 516-481-5100 FAX 516-481-5550
www.iccparts.com sales@iccparts.com • Toll Free: Phone 877-ICC-ICC3 FAX 800-814-8883

FLEXMASTER Gaskets & Joints

Flexmaster Gaskets (Donuts) Only

OEM #	ICC Part	Diameter	
Pipe - Non-Restrained - Silicon			
NK1000063S075	22.90	FMG-63S-075	0.75
NK1000063S100	65.40	FMG-63S-100	1
NK1000063S125	100.66	FMG-63S-125	1.25
NK1000063S150	65.61	FMG-63S-150	1.5
NK1000063S200	79.29	FMG-63S-200	2
NK1000063S250	224.01	FMG-63S-250	2.5
NK1000063S300	265.52	FMG-63S-300	3
NK1000063S350	703.91	FMG-63S-350	3.5
NK1000063S400	498.08	FMG-63S-400	4
NK1000063S500	#N/A	FMG-63S-500	5
NK1000063S600	514.07	FMG-63S-600	6

Pipe - Non-Restrained - Viton

NK1000063V075	250.58	FMG-63V-075	0.75
NK1000063V100	388.21	FMG-63V-100	1
NK1000063V125	276.21	FMG-63V-125	1.25
NK1000063V150	431.18	FMG-63V-150	1.5
NK1000063V200	467.73	FMG-63V-200	2
NK1000063V250	1250.35	FMG-63V-250	2.5
NK1000063V300	1266.96	FMG-63V-300	3
NK1000063V350	684.84	FMG-63V-350	3.5
NK1000063V400	954.48	FMG-63V-400	4
NK1000063V500	2014.18	FMG-63V-500	5
NK1000063V600	1446.27	FMG-63V-600	6

Tube - Restrained - Buna

NK1000062C100		FMG-62C-100	1
NK1000062C125		FMG-62C-125	1.25
NK1000062C150		FMG-62C-150	1.5
NK1000062C200		FMG-62C-200	2
NK1000062C250		FMG-62C-250	2.5

Tube - Non-Restrained - Hi-Temp Buna

NK1000064N150		FMG-64N-150	1.5
NK1000064N200		FMG-64N-200	2
NK1000064N250		FMG-64N-250	2.5
NK1000064N300		FMG-64N-300	3

Tube - Non-Restrained - Silicon

NK1000064S100		FMG-64S-100	1
NK1000064S250	103.93	FMG-64S-125	1.5
NK1000064S150		FMG-64S-150	1.5
NK1000064S200		FMG-64S-200	2

90 Deg. Tube - Non-Restrained - Buna

NK1000064C125		FMG-64C-125	1.25
---------------	--	--------------------	------

Also available in

Other Sizes

Entire Flexmaster Joints

OEM Number	ICC Part
Pipe - Non-Restrained - Silicon	
NH1600S075B0250	FMJT-63S-075
NH1600S100B0288	FMJT-63S-100
NH1600S125B0325	FMJT-63S-125
NH1600S150B0350	FMJT-63S-150
NH1600S200B0400	FMJT-63S-200
NH1600S250B0650	FMJT-63S-250
NH1600S300B0650	FMJT-63S-300
NH1600S350B0650	FMJT-63S-350
NH1600S400B0650	FMJT-63S-400
NH1600S500B0650	FMJT-63S-500
NH1600S600B0650	FMJT-63S-600

Pipe - Non-Restrained - Viton

NH1600V075B0250	FMJT-63V-075
NH1600V100B0288	FMJT-63V-100
NH1600V125B0325	FMJT-63V-125
NH1600V150B0350	FMJT-63V-150
NH1600V200B0400	FMJT-63V-200
NH1600V250B0650	FMJT-63V-250
NH1600V300B0650	FMJT-63V-300
NH1600V350B0650	FMJT-63V-350
NH1600V400B0650	FMJT-63V-400
NH1600V500B0650	FMJT-63V-500
NH1600V600B0650	FMJT-63V-600

Tube - Restrained - Buna

NH1675C100B0250	FMJT-T-62C-100
NH1675C125B0288	FMJT-T-62C-12
NH1675C150B0300	FMJT-T-62C-150
NH1675C200B0350	FMJT-T-62C-200
NH1675C250B0400	FMJT-T-62C-250

Tube - Non-Restrained - Hi-Temp Buna

NH1625N150B0300	FMJT-T-64N-150
NH1625N200B0350	FMJT-T-64N-200
NH1625N250B0400	FMJT-T-64N-250

Tube - Non-Restrained - Silicon

NH1625S100B0250	FMJT-T-64S-100
NH1625S125B0300	FMJT-T-64S-125
NH1625S150B0300	FMJT-T-64S-150
NH1625S200B0350	FMJT-T-64S-200

90 Deg. Tube - Non-Restrained - Buna

NH1627C075B0250	FMJT-61C-125-90
-----------------	------------------------



INDEPENDENT COMPONENTS CORP.

528 Hempstead Turnpike, West Hempstead, NY 11552 • Phone 516-481-5100 FAX 516-481-5550
 www.iccparts.com sales@iccparts.com • Toll Free: Phone 877-ICC-ICC3 FAX 800-814-8883

FLEXMASTER Gaskets & Joints

Metal Flexmaster Parts

OEM #	ICC Part	Diameter
Complete Joint (without gaskets)		
Pipe/Tube	Metal JOINT Parts ONLY - also order 2 FMG's	
P	FMJT-P050	0.5
P	FMJT-P075	0.75
P	FMJT-P100	1
P	FMJT-P125	1.25
P	FMJT-P150	1.5
P	FMJT-P200	2
P	FMJT-P250	2.5
P	FMJT-P300	3
P	FMJT-P350	3.5
P	FMJT-P400	4
P	FMJT-P500	5
P	FMJT-P600	6
T	FMJT-T100	1 Tube
T	FMJT-T125	1.25 Tube
T	FMJT-T150	1.5 Tube
T	FMJT-T200	2 Tube
T	FMJT-T250	2.5 Tube
90° Pipe	FMJT-P100-90	1.00 90°
90° Pipe	FMJT-P125-90	1.25 90°
90° Pipe	FMJT-P200-90	2.00 90°

Coupling (with bolt) use 2 per Joint

NH100085-050YF	FMJC-P050	0.5
NH100085-075YF	FMJC-P075	0.75
NH100085-100YF	FMJC-P100	1
NH100085-125YF	FMJC-P125	1.25
NH100085-150YF	FMJC-P150	1.5
NH100085-200YF	FMJC-P200	2
NH100085-250YF	FMJC-P250	2.5
NH100085-300YF	FMJC-P300	3
NH100085-350YF	FMJC-P350	3.5
NH100085-400YF	FMJC-P400	4
NH100085-500YF	FMJC-P500	5
NH100085-600YF	FMJC-P600	6
use	FMJC-P075	1 Tube
use	FMJC-P100	1.25 Tube
NH100086-150YF	FMJC-T150	1.5 Tube
NH100086-200YF	FMJC-T200	2 Tube
NH100086-250YF	FMJC-T250	2.5 Tube

Metal Flexmaster Parts

OEM Number	ICC Part
Sleeve (center piece) use 1 per Joint	
NK1237-050B0225	FMJS-P050
NK1237-075B0250	FMJS-P075
NK1237-100B0288	FMJS-P100
NK1237-125B0325	FMJS-P125
NK1237-150B0350	FMJS-P150
NK1237-200B0400	FMJS-P200
NK1237-250B0650	FMJS-P250
NK1237-300B0650	FMJS-P300
NK1237-350B0650	FMJS-P350
NK1237-400B0650	FMJS-P400
NK1237-500B0650	FMJS-P500
NK1237-600B0650	FMJS-P600
use	FMJS-P075
use	FMJS-P100
NK1238-150B0300	FMJS-T150
NK1238-200B0350	FMJS-T200
NK1238-250B0400	FMJS-T250
NK1000791-100B	FMJS-P100-90
NK1000791-125B	FMJS-P125-90
NK1000791-125B	FMJS-P125-90

Retainer (outside gasket) use 2 per Joint

NK1000023-050	FMJR-P050
NK1000023-075	FMJR-P075
NK1000023-100	FMJR-P100
NK1000023-125	FMJR-P125
NK1000023-150	FMJR-P150
NK1000023-200	FMJR-P200
NK1000023-250	FMJR-P250
NK1000023-300	FMJR-P300
NK1000023-350	FMJR-P350
NK1000023-400	FMJR-P400
NK1000023-500	FMJR-P500
NK1000023-600	FMJR-P600
use	FMJR-P075
use	FMJR-P100
NK1000056-150	FMJR-T150
NK1000056-200	FMJR-T200
NK1000056-250	FMJR-T250

Sleeve



Coupling



Retainer



Material	Temperature Range	Color
C Buna-N	Water -25F to +180F Oils -25F to +215F	Yellow Spot
N Hi Temp Buna-N	Water -25F to +225F Oils -25F to +250F	Orange Spot
D EPDM (Hi Temp)	Water +20F to +275F Oils NOT RECOMMENDED	Blue Spot
V Viton	-25F to +450F	Green Spot
S Silicone	-65F to +350F	All Orange

G=Good F=Fair.
X=Not Recommended

Gasket material usability	Material			
Fluid	D	C/N	V	S
Air	G	G	G	G
Air (Hot 215F)	G	F	G	G
Ethylene Glycol	G	G	G	G
Hydraulic Oils				
Straight Petroleum BaseX	X	G	G	X
Water Glycol	G	G	G	F
Straight Phosphate Ester	G	X	F	F
Phos. Ester/Petroleum	X	X	F	X
Ester Blend	G	G	F	F
Silicone Oils	G	G	G	X
Mineral Oil	X	G	G	X
Diester Base Oil	X	F	G	X



INDEPENDENT COMPONENTS CORP.

528 Hempstead Turnpike, West Hempstead, NY 11552 • Phone 516-481-5100 FAX 516-481-5550
www.iccparts.com sales@iccparts.com • Toll Free: Phone 877-ICC-ICC3 FAX 800-814-8883



INDEPENDENT COMPONENTS CORP.

528 Hempstead Turnpike, West Hempstead, NY 11552 • Phone 516-481-5100 FAX 516-481-5550
www.iccparts.com sales@iccparts.com • Toll Free: Phone 877-ICC-ICC3 FAX 800-814-8883

This page Intentionally left blank



INDEPENDENT COMPONENTS CORP.

528 Hempstead Turnpike, West Hempstead, NY 11552 • Phone 516-481-5100 FAX 516-481-5550
 www.iccparts.com sales@iccparts.com • Toll Free: Phone 877-ICC-ICC3 FAX 800-814-8883

SOLBERG TYPE FILTER ELEMENTS & INTAKE ASSEMBLIES

SOLBERG PART NO.	I.C.C. PART NO.	I.C.C. PRICES		
		1-4	5-24	25&UP
AIR FILTER ELEMENTS				
04.....	ELE-04-SOL.....	3.70	3.50	3.35
05.....	ELE-05-SOL.....	4.60	4.35	4.15
06.....	ELE-06-SOL.....	3.55	3.35	3.20
07.....	ELE-07-SOL.....	5.70	5.40	5.15
08.....	ELE-08-SOL.....	2.00	1.90	1.80
09.....	ELE-09-SOL.....	2.05	1.95	1.85
10.....	ELE-10-SOL.....	4.40	4.20	4.00
11.....	ELE-11-SOL.....	7.80	7.40	7.00
14.....	ELE-14-SOL.....	2.30	2.20	2.10
14P.....	ELE-14P-SOL.....	3.10	2.95	2.80
15.....	ELE-15-SOL.....	3.30	3.15	3.00
15P.....	ELE-15P-SOL.....	4.10	3.90	3.70
18.....	ELE-18-SOL.....	3.15	3.00	2.85
18P.....	ELE-18P-SOL.....	3.60	3.45	3.70
19.....	ELE-19-SOL.....	5.40	5.15	4.90
19P.....	ELE-19P-SOL.....	6.45	5.15	5.85
24.....	ELE-24-SOL.....	9.45	9.00	8.50
25.....	ELE-25-SOL.....	9.95	9.50	9.00
30.....	ELE-30-SOL.....	6.20	5.90	5.60
30P.....	ELE-30P-SOL.....	6.95	6.60	6.30
31.....	ELE-31-SOL.....	11.00	10.50	10.00
31P.....	ELE-31P-SOL.....	12.50	11.90	11.30
34P.....	ELE-34P-SOL.....	14.80	14.00	13.35
35P.....	ELE-35P-SOL.....	18.75	17.80	16.90
44P.....	ELE-44P-SOL.....	12.00	11.40	10.85
80.....	ELE-80-SOL.....	9.00	8.55	8.15
84.....	ELE-84-SOL.....	9.90	9.40	8.95
100.....	ELE-100-SOL.....	6.65	6.30	6.00
230P.....	ELE-230P-SOL.....	11.90	11.30	10.75
231P.....	ELE-231P-SOL.....	26.00	24.70	23.50
234P.....	ELE-234P-SOL.....	15.95	15.15	14.40
235P.....	ELE-235P-SOL.....	23.85	22.60	21.50
244P.....	ELE-244P-SOL.....	19.35	18.40	17.50
245P.....	ELE-245P-SOL.....	38.75	36.80	35.00
275P.....	ELE-275P-SOL.....	62.20	59.00	56.15
1111.....	ELE-1111-SOL.....	12.60	12.00	11.40

ALL Other Solberg Style Filter Elements & Housings are available





INDEPENDENT COMPONENTS CORP.

528 Hempstead Turnpike, West Hempstead, NY 11552 • Phone 516-481-5100 FAX 516-481-5550
 www.iccparts.com sales@iccparts.com • Toll Free: Phone 877-ICC-ICC3 FAX 800-814-8883

FILTER SILENCERS ASSEMBLIES

We offer the standard filter silencer with metal hoods (FS type) or for more quiet with a lexan® plastic hood (SF type). Both silencers have all metal bases and tubes. The lexan® hood is quieter because of improved seal against the base of the unit

SOLBERG		ALL METAL ASSEMBLY		SILENT FILTER ASSEMBLY	
PART NO.	NPT	I.C.C. PART NO.	PRICES	I.C.C. PART NO.	PRICES
FILTER ASSEMBLIES WITH SILENCER TUBES					
FS-04-025	¼	FS-04-025-SOL	11.55		
FS-04-038	⅜	FS-04-038-SOL	11.55		
FS-04-050	½	FS-04-050-SOL	12.15		
FS-05-025	¼	FS-05-025-SOL	12.55		
FS-05-038	⅜	FS-05-038-SOL	12.55		
FS-05-050	½	FS-05-050-SOL	13.35		
FS-06-038	⅜	FS-06-038-SOL	13.70		
FS-06-050	½	FS-06-050-SOL	12.25		
FS-06-075	¾	FS-06-075-SOL	16.00		
FS-07-038	⅜	FS-07-038-SOL	15.60		
FS-07-050	½	FS-07-050-SOL	15.60		
FS-07-075	¾	FS-07-075-SOL	17.00		
FS-10-050	½	FS-10-050-SOL	14.55		
FS-10-075	¾	FS-10-075-SOL	21.15		
FS-10-100	1	FS-10-100-SOL	21.90		
FS-11-050	½	FS-11-050-SOL	22.60		
FS-11-075	¾	FS-11-075-SOL	24.00		
FS-11-100	1	FS-11-100-SOL	25.00		
FS-14-050	½	FS-14-050-SOL	16.50	SF-14-050-ICC	15.15
FS-14-075	¾	FS-14-075-SOL	16.40	SF-14-075-ICC	15.45
FS-14-100	1	FS-14-100-SOL	24.40	SF-14-100-ICC	16.30
FS-14-125	1-1/4	FS-14-125-SOL	NLA	SF-14-125-ICC	16.55
FS-15-050	½	FS-15-050-SOL	21.90	SF-15-050-ICC	15.65
FS-15-075	¾	FS-15-075-SOL	23.00	SF-15-075-ICC	15.95
FS-15-100	1	FS-15-100-SOL	24.40	SF-15-100-ICC	16.80
FS-15-125	1-1/4	FS-15-125-SOL	NLA	SF-15-125-ICC	17.05
FS-18P-100	1	FS-18P-100-SOL	33.10	SF-18P-100-ICC	19.45
FS-18P-125	1-1/4	FS-18P-125-SOL	35.00	SF-18P-125-ICC	20.20
FS-18P-125-9T	1-1/4			SF-18P-125T-ICC†	20.65
FS-18P-150	1-1/2	FS-18P-150-SOL	36.00	SF-18P-150-ICC	20.45
FS-18P-150-9T	1-1/2			SF-18P-150T-ICC†	24.45
	2			SF-18P-200T-ICC†	25.25
	2-1/2			SF-18P-250T-ICC†	26.20
FS-19P-100	1	FS-19P-100-SOL	37.15	SF-19P-100-ICC	21.45
FS-19P-125	1-1/4	FS-19P-125-SOL	39.00	SF-19P-125-ICC	22.20
FS-19P-125-9T	1-1/4			SF-19P-125T-ICC†	22.65
FS-19P-150	1-1/2	FS-19P-150-SOL	40.55	SF-19P-150-ICC	22.45
FS-19P-150-9T	1-1/2			SF-19P-150T-ICC†	26.45
	2			SF-19P-200T-ICC†	27.25
	2-1/2			SF-19P-250T-ICC†	28.20
FS-30P-200	1-1/2	FS-30P-200-SOL	76.00	SF-30P-150-ICC	46.00
FS-30P-250	2	FS-30P-250-SOL	82.00	SF-30P-200-ICC	46.50
	2-1/2			SF-30P-250-ICC	46.00
	3			SF-30P-300-ICC	48.00
FS-31P-200	1-1/2	FS-31P-200-SOL	81.90	SF-31P-150-ICC	49.95
FS-31P-250	2	FS-31P-250-SOL	87.70	SF-31P-200-ICC	50.30
	2-1/2			SF-31P-250-ICC	49.60
	3			SF-31P-300-ICC	52.40
FS-231P-200	2	FS-231P-200-SOL	145.00		
FS-231P-250	2-1/2	FS-231P-250-SOL	145.00		
FS-231P-300	3	FS-231P-300-SOL	149.00		



† 10 silencer tubes

Other Housings are available – call or FAX for information

Filter prices change frequently - Prices subject to change without notice – All Filters will be billed at current selling price



INDEPENDENT COMPONENTS CORP.

528 Hempstead Turnpike, West Hempstead, NY 11552 • Phone 516-481-5100 FAX 516-481-5550
www.iccparts.com sales@iccparts.com • Toll Free: Phone 877-ICC-ICC3 FAX 800-814-8883

FILTER ASSEMBLIES with HOOD W/O SILENCING TUBES

SOLBERG PART NO.	NPT	ALL METAL ASSEMBLY I.C.C. PART NO.	PRICES
F-08-025	1/4	F-08-025-SOL	11.55
F-08-038	3/8	F-08-038-SOL	11.80
F-08-050	1/2	F-08-050-SOL	11.95
F-08-075	3/4	F-08-075-SOL	12.05
F-09-025	1/4	F-09-025-SOL	11.55
F-09-038	3/8	F-09-038-SOL	11.80
F-09-050	1/2	F-09-050-SOL	11.95
F-09-075	3/4	F-09-075-SOL	12.05

EXPOSED ELEMENT FILTER ASSEMBLIES

SOLBERG PART NO.	NPT	ALL METAL ASSEMBLY I.C.C. PART NO.	PRICES
FT-15-075	3/4	FT-15-075-SOL	22.25
FT-15P-075	3/4	FT-15P-075-SOL.....	22.25
FT-15-100	1	FT-15-100-SOL	23.00
FT-15P-100	1	FT-15P-100-SOL.....	23.00
FT-19-100	1	FT-19-100-SOL	29.45
FT-19P-100	1	FT-19P-100-SOL.....	30.55
FT-19-125	1-1/4	FT-19-125-SOL	31.05
FT-19P-125	1-1/4	FT-19P-125-SOL.....	31.05
FT-19-150	1-1/2	FT-19-150-SOL	31.40
FT-19P-150	1-1/2	FT-19P-150-SOL.....	32.45
FT-31-200	2	FT-31-200-SOL	42.40
FT-31P-200	2	FT-31P-200-SOL.....	43.50
FT-31-250	2-1/2	FT-31-250-SOL	43.85
FT-31P-250	2-1/2	FT-31P-250-SOL.....	45.70
FT-231-300	3	FT-231-300-SOL	92.10
FT-231P-300	3	FT-231P-300-SOL.....	92.10

Many Other Filter Assemblies Available



PB-21175003 FA-5003-DE 12.00



39154 FA-9154-EM 4.00



47516568001 FA-8001-IR 25.75
Mann-Hummel Housing



70123-66000 FA-2366-CU 17.00

Filter prices change frequently - Prices subject to change without notice - All Filters will be billed at current selling price



INDEPENDENT COMPONENTS CORP.

528 Hempstead Turnpike, West Hempstead, NY 11552 • Phone 516-481-5100 FAX 516-481-5550
www.iccparts.com sales@iccparts.com • Toll Free: Phone 877-ICC-ICC3 FAX 800-814-8883



INDEPENDENT COMPONENTS CORP.

528 Hempstead Turnpike, West Hempstead, NY 11552 • Phone 516-481-5100 FAX 516-481-5550
www.iccparts.com sales@iccparts.com • Toll Free: Phone 877-ICC-ICC3 FAX 800-814-8883

Independent Components Special Colored Spin-On Oil Filters



American Made - Quality High Pressure Oil Filters

<u>Quincy Part Number</u>		<u>ICC Part Number</u>
2023400100		OFIL-0100-Q
2023400101	(Case of 10 OFIL-0100-Q)	OFIL-0101-Q
110814		OFIL-0814-Q
110814-001	(Case of 6 OFIL-0814-Q)	OFIL-0814-6-Q
2023402300		OFIL-0814-Q
142136		OFIL-2136-Q
128382-050		OFIL-2136-Q
2013400282		OFIL-2136-Q
<u>Sullair Part Number</u>		<u>ICC Part Number</u>
250028-032		OFIL-8032-SU
02250050-602		OFIL-8032-SU
250025-524		OFIL-8032-SU
250026-982		OFIL-8032-SU
250025-525		OFIL-5525-SU
250025-526		OFIL-5526-SU